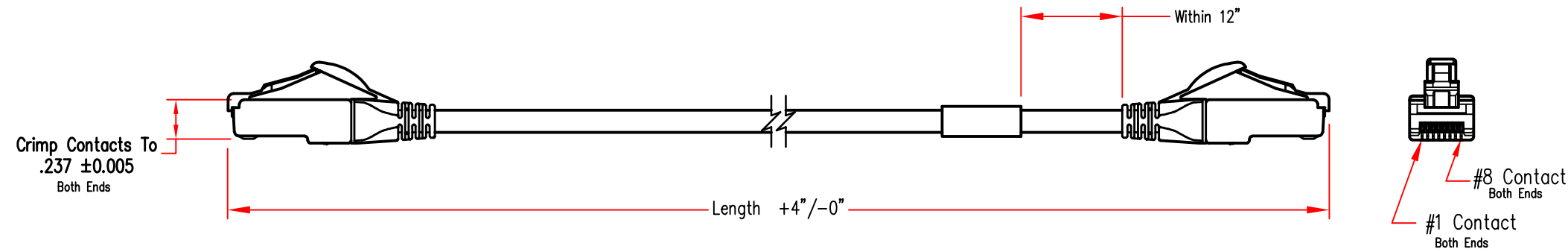


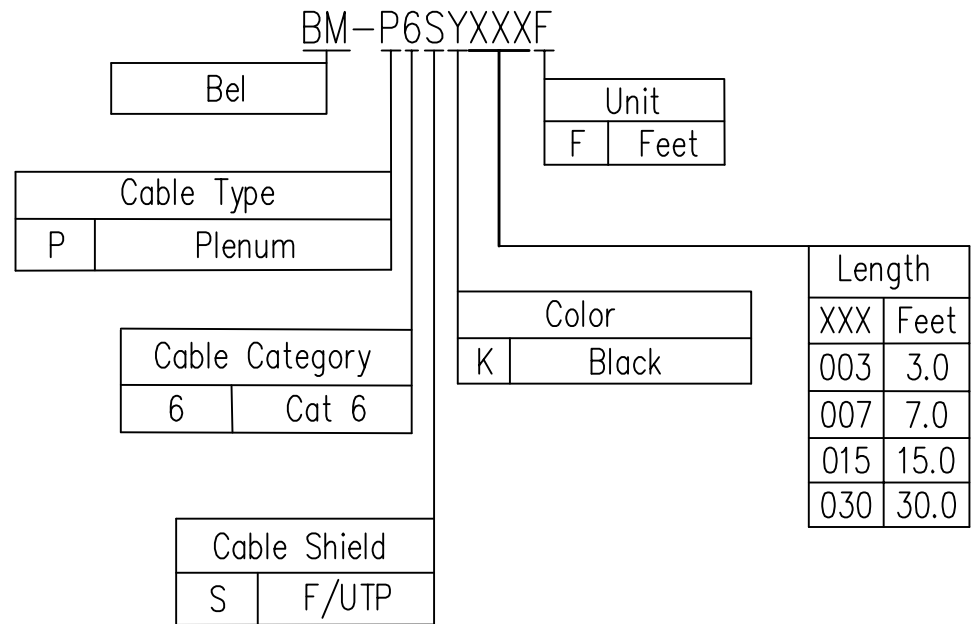
DATE	REV	ECN	APP'D. BY
08/18/20	A0	Released	JME
09/25/20	A1	11625	BTS



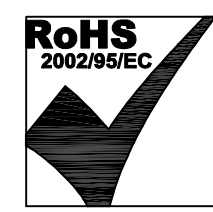
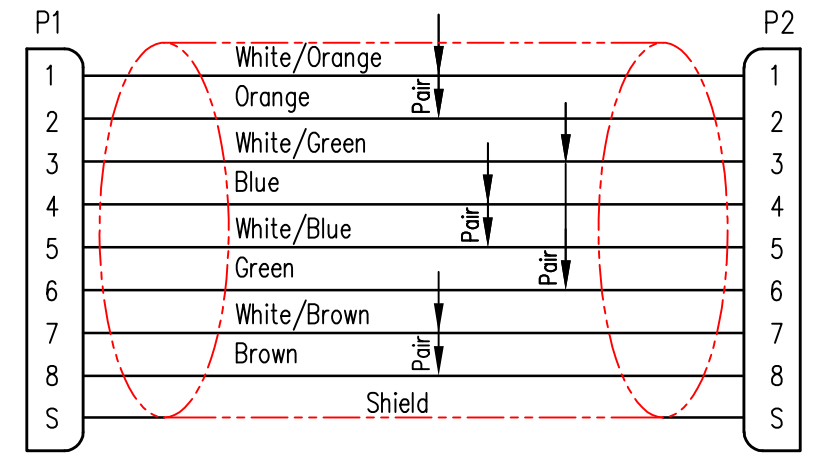
Notes:

- 1) Each cable assembly to be individually bagged.
- 2) 50μ" Gold plating on contacts
- 3) Plenum Cable Construction:
 - 26AWG Stranded
 - 4Pr, F/UTP, Type CMP
 - PVC Jacket
- 4) Slimline Snagless Strain Relief
- 5) 100% Transmission Tested for Performance

Part Number Structure




Wiring Map: 568B Standard



THIRD ANGLE PROJECTION

 DO NOT SCALE DRAWING
 DRAWING IS SUBJECT TO CHANGE WITHOUT NOTICE
 DIMENSIONS: INCHES [METRIC]
 UNLESS OTHERWISE SPECIFIED TOLERANCES ARE ±.005 [0.13] ANGLES ARE ± 1°
 SHEET NO. 1 OF 1



206 Van Vorst Street
 Jersey City, NJ 07302
 +1 201 432 0463
<http://www.belfuse.com>

TITLE:
Bel Cable Assembly, CAT 6, F/UTP, 26 AWG, CMP, Plenum Cable

DRN BY:	BTS	DATE	08/18/20
APPD BY:	JME	DATE	08/18/20
DWG NO.	CT999221	REV.	A1

THIS DRAWING AND THE SUBJECT MATTER SHOWN THEREON ARE CONFIDENTIAL AND THE PROPRIETARY PROPERTY OF BEL FUSE, INC. AND SHALL NOT BE REPRODUCED, COPIED, OR USED IN ANY MANNER WITHOUT PRIOR WRITTEN CONSENT OF BEL FUSE, INC.