

DO NOT SCALE

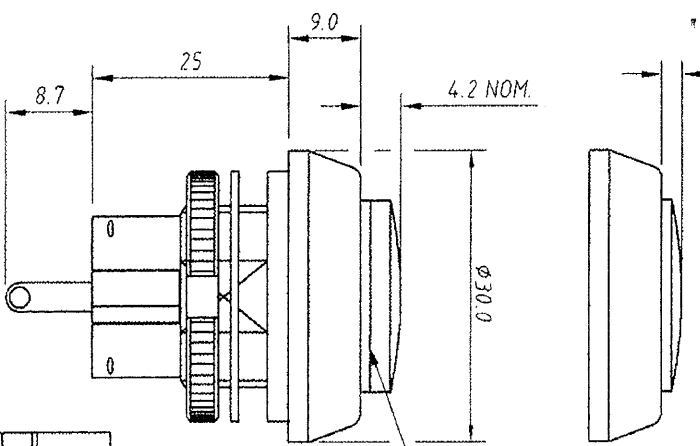


DIMENSIONS IN MILLIMETRES
THIRD ANGLE PROJECTION

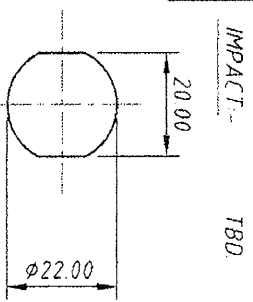
CAD SYSTEM:

CAD FILE NAME:

2.5 NOMINAL MAINTAINED



STATUS RING.
SEE CHART
BELOW FOR
COLOURS.



SUGGESTED PANEL CUTOUT.

ITW PART NUMBER	BUTTON & IDENT RING COLOUR
76-9712/439088B	BLACK / RED
76-9712/439088R	RED / YELLOW
76-9712/439088G	GREEN / YELLOW
76-9712/439088W	WHITE / YELLOW
76-9712/439088Y	YELLOW / RED
76-9712/439088N	BLUE / RED
76-9712/439088GY	LIGHT GREY / RED
76-9712/439088WW	WHITE / WHITE

ENVIRONMENTAL:-

TEMPERATURE RANGE:- -40 +105°C

INGRESS PROTECTION:- IP 67
(FRONT OF PANEL ONLY)

SHOCK:- TBD

IMPACT:- TBD

MECHANICAL:-

DIMENSIONS:-

OPERATING FORCE 12N nominal

THREAD DIAMETER (NOM) 22

BODY ACROSS FLATS (NOM) 20

PANEL THICKNESS (MAX) 6

PITCHING (MIN) 30.2

LOCKNUT TIGHTENING TORQUE 15Nm MIN - 2.85 Nm MAX

CONSTRUCTION:-

"ALL PLASTIC" EXTERNAL PARTS

FINISH:-

BODY - BLACK PBT.

BUTTON - PBT.

BUTTON COLOUR - SEE CHART

LIFE - 100,000 CYCLES.

ELECTRICAL:-

CONFIGURATION:- SPDT-08

CURRENT:-

5 AMPS @ 250 Vac,
10 AMPS WITH LIFE & MAX.
TEMP DERATED TO 50,000
& 70°C

LIFE - 100,000 CYCLES

DIELECTRIC STRENGTH - 1000 Vrms

INSULATION RESISTANCE - 1 G Ω

CONTACT RESISTANCE - 25 m Ω (INITIAL)

ISS	ECN	SIGN	DATE	ISS	ECN	SIGN	DATE
A	B7719	BV	11.9.06				

NOTICE
ALL RIGHTS RESERVED.
UNAUTHORIZED USE,
DISCLOSURE OR
REPRODUCTION IN
ANY MANNER IS
STRICTLY PROHIBITED.

© 2006

ITW
Switches
Switchpanels

164445 001332 656529
164445 001332 656532
164445 001332 656532
164445 001332 656532

Head Office
ITW Switches
Switchpanels
Herts PO3 5HT

164445 001332 656529
164445 001332 656532
164445 001332 656532
164445 001332 656532

Head Office
ITW Switches
Switchpanels
Herts PO3 5HT

STANDARD TOLERANCES
NO PLACE DEC. ±0.5
1 PLACE DEC. ±0.2
2 PLACE DEC. ±0.1
ANGLES ±0.5
ANGULAR ±0.5
UNLESS OTHERWISE STATED

MATERIAL	FINISH

DRAWN	DATE	SIGN	DATE
BV	11.9.06		

TITLE RAISED BUTTON
MAINT. SW. TL.

DRAWING No 76-9712/439088 B-WW
Sht. 1 of 3