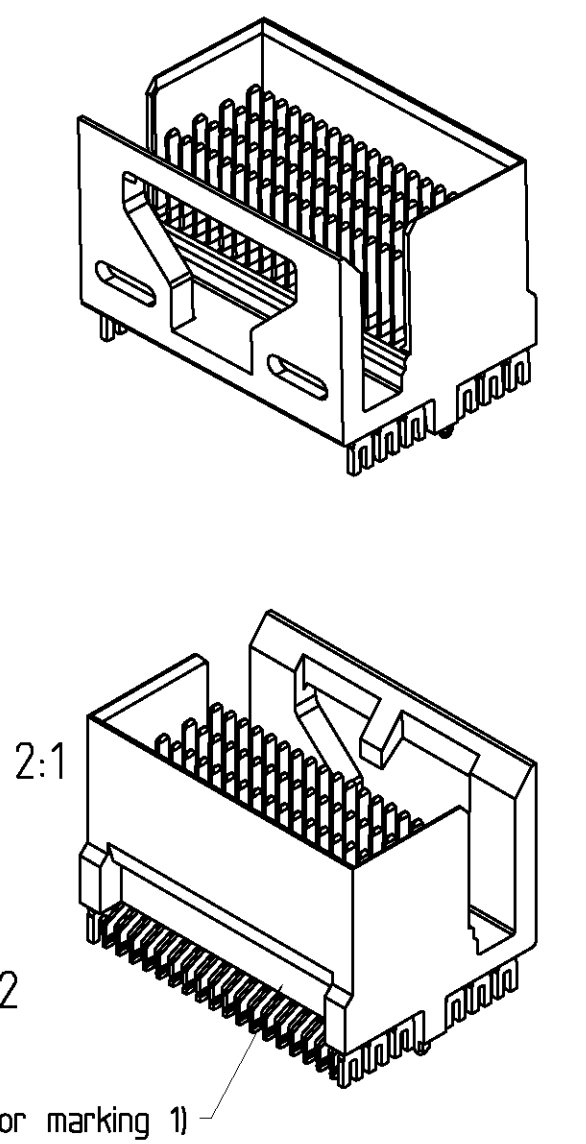
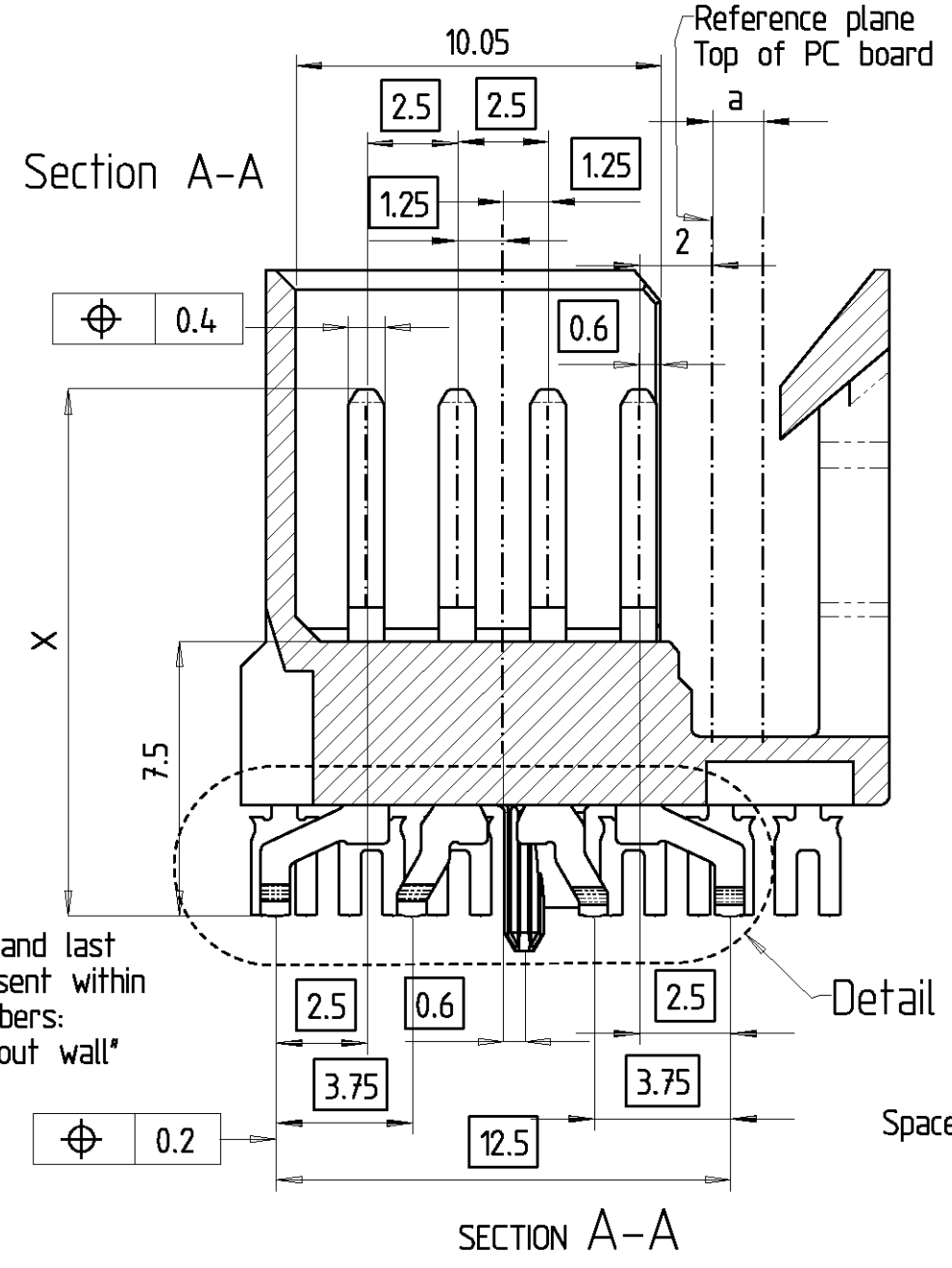
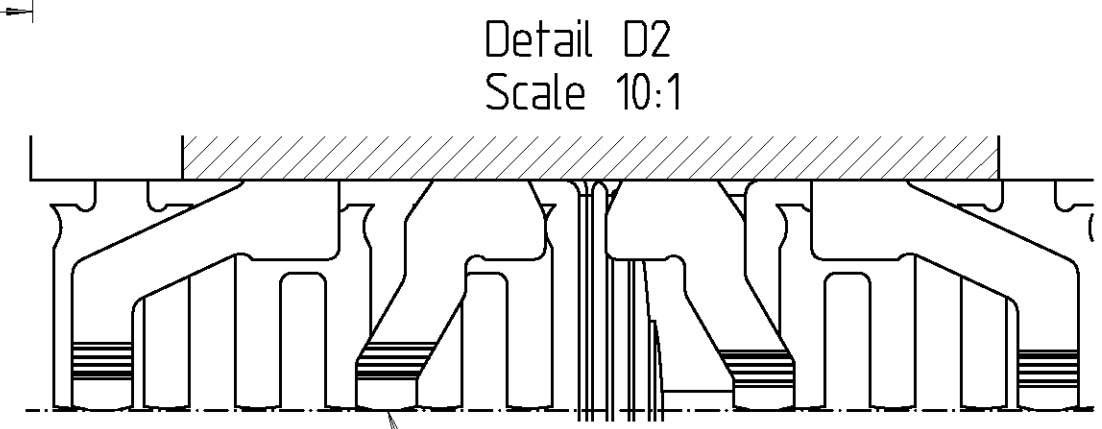


- 1) Space for marking
-Catalogue number
-Traceability code acc. to IEC 62
(year, month, day, shift of final assembly)
- 2) Premating contacts according to table or customer specification.
All contacts per column should have the same length.
- 3) Row A..Row D



Cross reference tabel

Tyco Electronics part number	old part number	contact assignment 2) 3)	Card thickness	Performance level
9-1393754-8	V23500-D2113-M410	+++++	WW	2
9-1393754-9	V23500-D2113-M411	+++++	N	2
1393755-8	V23500-D2123-M411	V+++++V	N	2
1-1393755-9	V23500-D9001-M411	+++++VVVV	N	2
2-1393755-1	V23500-D9002-M411	+++++V+++++	N	2

Active part numbers. Contact Tyco Electronics for other configuration availability

+ = contact x = 14.5
V = premating contact x = 16.25

Plug-in card thickness

	Dim a	Dim b	Dim c	Dim d	Dim e
1 Narrow	1.4 ... 3.3	17.85	17.15	4.35	3.3
2 Wide	2.4 ... 4.3	18.35	18.15	5.35	4.3
0 without wall	XXX	14.20	13.50	XXX	XXX

Performance level

1	Au + Pd or Au
2	Au + Pd or Au

Dimensions are reference dimensions
Footprint see 114-90002 (V23500-D211*-M411*-74B9)

PROPRIETARY THIS INFORMATION IS CONFIDENTIAL AND PROPRIETARY TO TYCO ELECTRONICS CORPORATION AND ITS WORLDWIDE SUBSIDIARIES AND AFFILIATES. IT MAY NOT BE DISCLOSED TO ANYONE, OTHER THAN TYCO ELECTRONICS PERSONNEL, WITHOUT WRITTEN AUTHORIZATION FROM TYCO ELECTRONICS CORPORATION, HARRISBURG, PENNSYLVANIA USA.

CHANGES TO THIS DRAWING MUST BE DONE ONLY IN CAD

PAPER SIZE: A2

APPLICABLE SPEC.: FINISH: DIMENSIONS APPLY PLATING: SCALE: 5:1 10:1 2:1 WEIGHT: MATERIAL: NAME: DensiPac Male 1.25 / 4rows / S 1 SU

tyco Electronics Tyco Electronics Corporation Oostkamp - Belgium

DATE: 27.1.98 NAME: E.Gillenbergh

REV. CHANGE ORDER DATE APP. 03.05.01 BK 06.09.00 BK 15.06.00 BK 28.3.99 EG 2.9.98 EG 22.4.98 EG 6.2.98 EG

TOLERANCE UNLESS SPECIFIED OTHERWISE

NO. V23500-D*1*-M41*-7626 SHT. 1 OF 1

Customer drawing C9-1393754-8