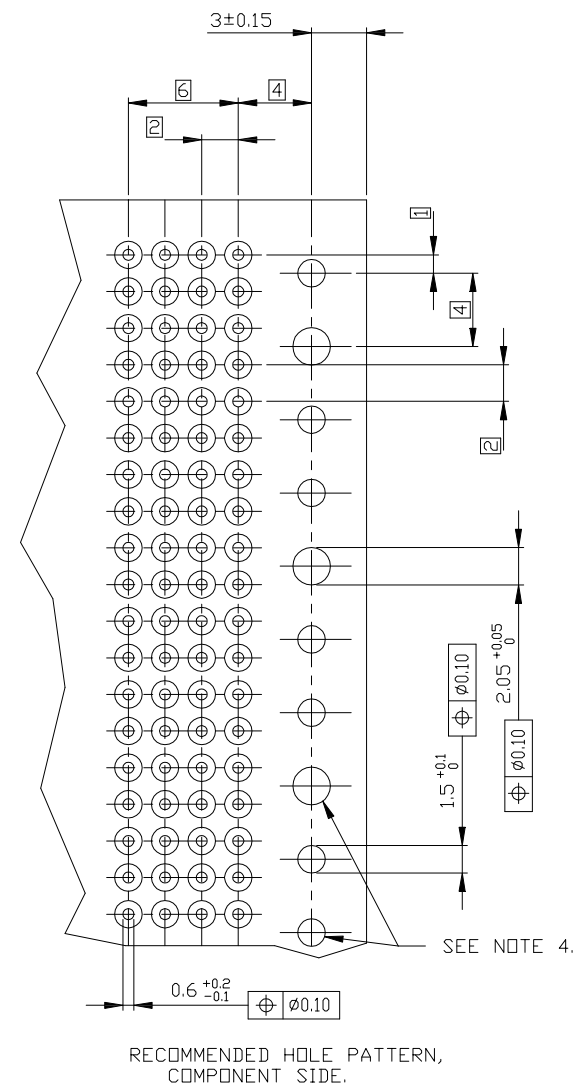
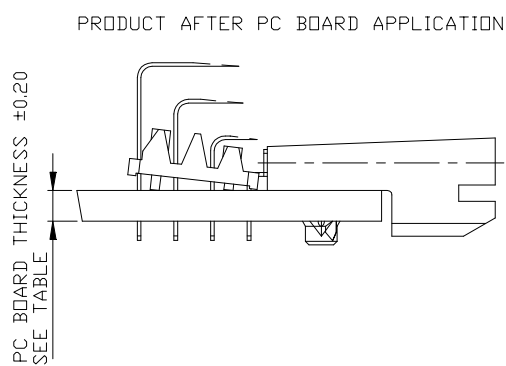
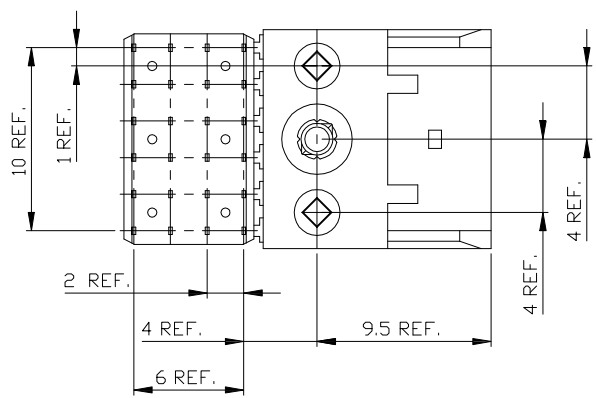
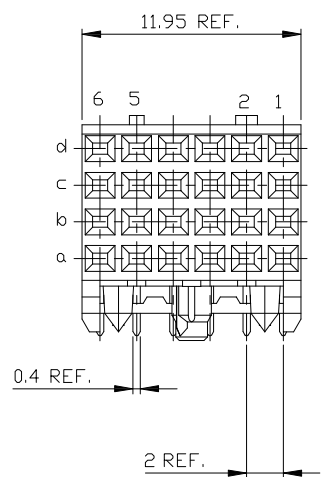
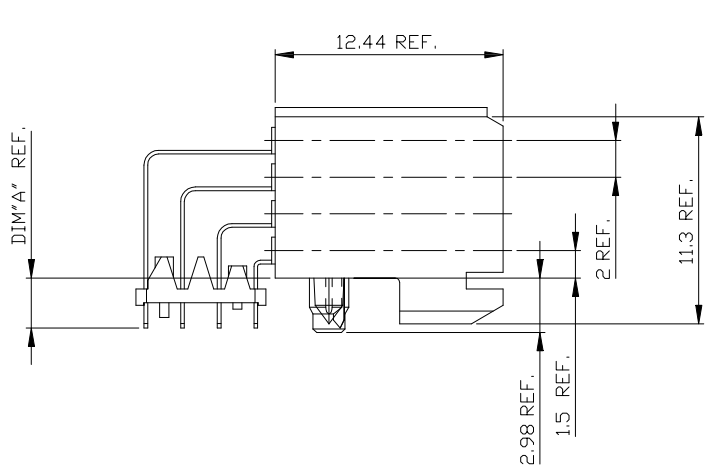


All rights strictly reserved. Reproduction or issue in any form without written authority from the proprietor.
 Tous droits strictement réservés. Reproduction ou communication à des tiers sans autorisation écrite du propriétaire.
 Property of F.C.I. S.A.
 © F.C.I. S.A.



PC BOARD VERSIONS		
PRODUCTNR.	PCB THICKNESS	DIM'A"
89035-X01	1.6	2.90
89035-X11	2.4	3.53
89035-X01LF	1.6	2.90
89035-X11LF	2.4	3.53



PLATING CONTACT AREA:	
DASH NR:	PERFORMANCE LEVEL
-1YY	TELCORDIA CO
-2YY	CUSTOMER SPECIAL
-3YY	CUSTOMER SPECIAL
-9YY	TELCORDIA CO
-1YYLF	TELCORDIA CO
-2YYLF	CUSTOMER SPECIAL
-3YYLF	CUSTOMER SPECIAL
-9YYLF	TELCORDIA CO

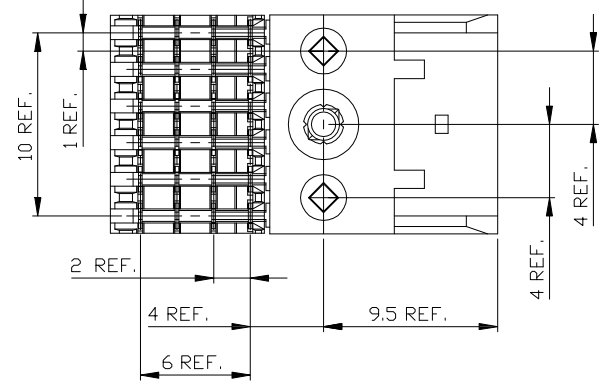
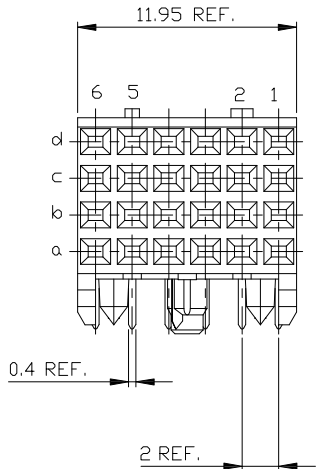
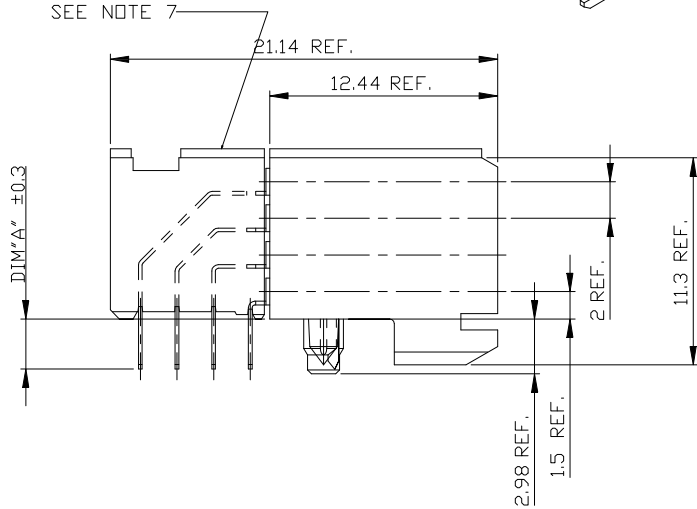
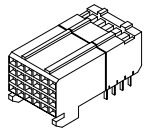
- NOTES:
- BODY MAT'L: LIQUID CRYSTAL POLYMER 30% GLASS
FLAME RETARDANT ACC. UL 94-V0
 - TERMINAL MATERIAL: PHOSPHOR BRONZE.
 - PLATING SOLDER TAILS 2-8 um SnPb 90-97 OR 2-8 um PURE Sn FOR LEAD FREE.
 - INDICATED HOLES ARE UNPLATED.
 - PRODUCT MARKING: PARTNUMBER & BATCH ID.
 - THIS PRODUCT MEETS EUROPEAN UNION DIRECTIVES AND OTHER COUNTRY REGULATIONS AS DESCRIBED IN GS-22-008.
 - THE HOUSING WILL WITHSTAND EXPOSURE TO 260DEGREE PEAK TEMPERATURE FOR 10 SECONDS IN A WAVE SOLDER APPLICATION.

mat'l. code		tolerances unless otherwise specified		CUSTOMER CDPY		FCI	
ltr	ecnr	nodr	date	linear	projection	title	www.fconnection.com
H	0604-004	Clu	041220			RA FEMALE SIGNAL	
J	0606-0478	Cenh	11/23/06			12 mm PRESS PEG	
K	0607-0071	Cenh	05/25/07	angles			
E	V70769	DDb	970602	dir	H.Bouwknegt	921216	product family METRAL(tn)
H	V00578	LLA	000316	engr	H. Bouwknegt	940311	code 213
F	V00578	LLA	000316	chr	P.Schalik	921222	size dwg no
G	V00847	LLA	000530	appo	J.Vintjes	921222	scale 5:1
sheet	revision	K	K	K			A2
index	sheet	1	2	3			89035
							sheet 1 of 3

All rights strictly reserved. Reproduction or use in any form without written authority from the proprietor. Property of F.C.I. bv.
 Tous droits strictement réservés. Reproduction ou communication à des tiers sans autorisation écrite du propriétaire. Propriété de F.C.I. bv.

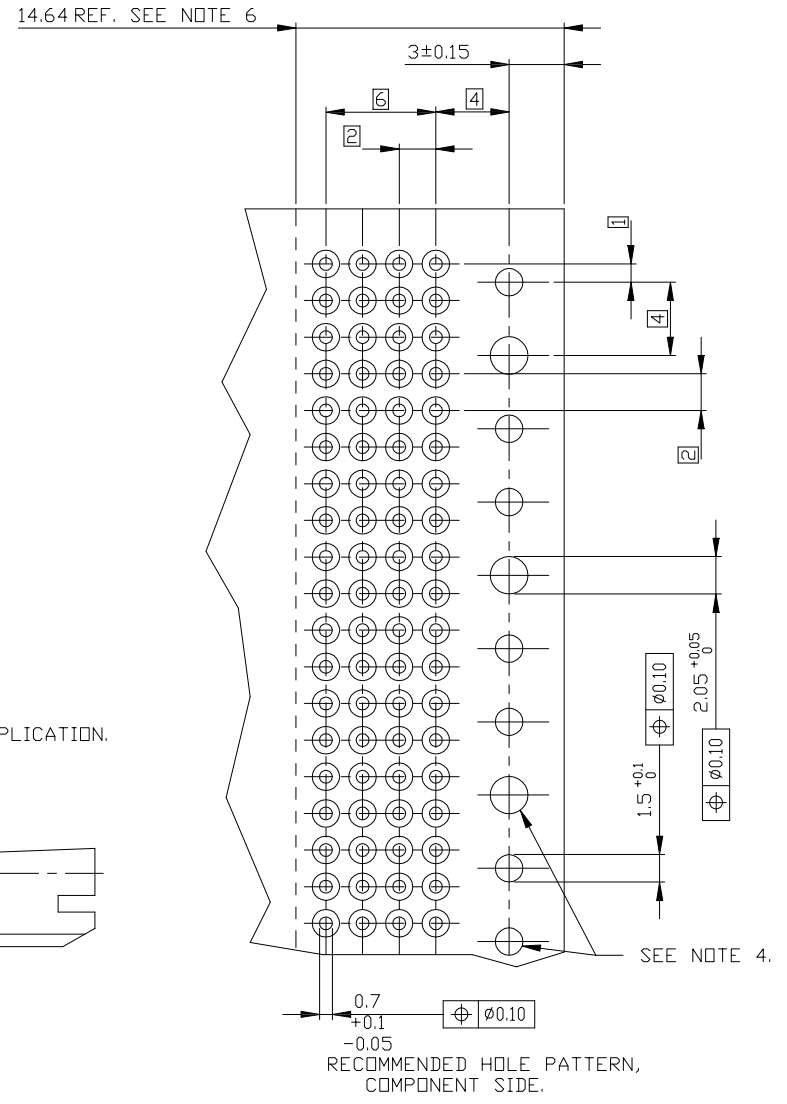
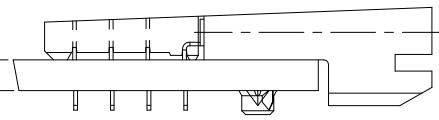


PC BOARD VERSIONS		
PRODUCTNR:	PCB THICKNESS	DIM"A"
89035-X02	1.6	2.90
89035-X12	2.4	3.53
89035-X02LF	1.6	2.90
89035-X12LF	2.4	3.53



PRODUCT AFTER PC BOARD APPLICATION.

PC BOARD THICKNESS ±0.20
SEE TABLE



RECOMMENDED HOLE PATTERN, COMPONENT SIDE.

- NOTES:
- BODY MAT'L: LIQUID CRYSTAL POLYMER 30% GLASS
FLAME RETARDANT ACC. UL 94-V0
 - TERMINAL MATERIAL: PHOSPHOR BRONZE.
 - PLATING SOLDER TAILS 2-8 um SnPb 90-97 DR 2-8 um PURE Sn
 - INDICATED HOLES ARE UNPLATED.
 - PRODUCT MARKING: PART NUMBER & BATCH ID.
 - SET BACK FOR PRESS BLOCK.
 - TOP SURFACE OF PRESS BLOCK MAY EXTEND UP TO 0.4MM HIGHER THAN HOUSING. THIS MAY AFFECT THE TAIL LENGTH BEFORE APPLICATION TO A BOARD.
 - THIS PRODUCT MEETS EUROPEAN UNION DIRECTIVES AND OTHER COUNTRY REGULATIONS AS DESCRIBED IN GS-22-008.
 - THE HOUSING WILL WITHSTAND EXPOSURE TO 260 DEGREE PEAK TEMPERATURE FOR 10 SECONDS IN A WAVE SOLDER APPLICATION.

PLATING CONTACT AREA:

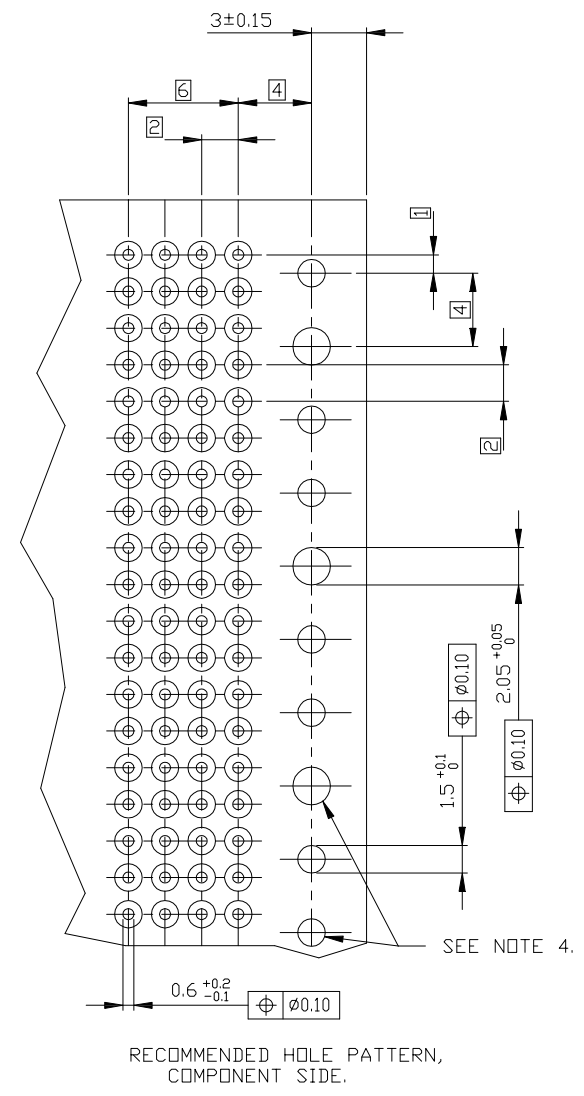
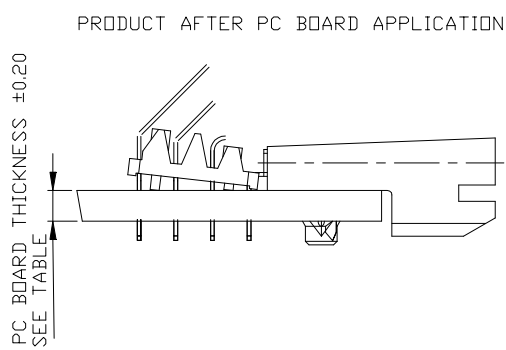
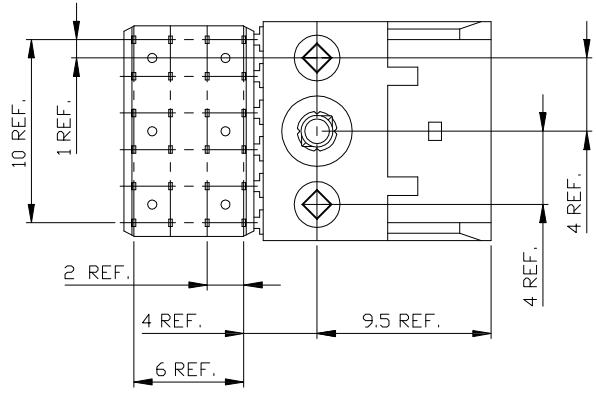
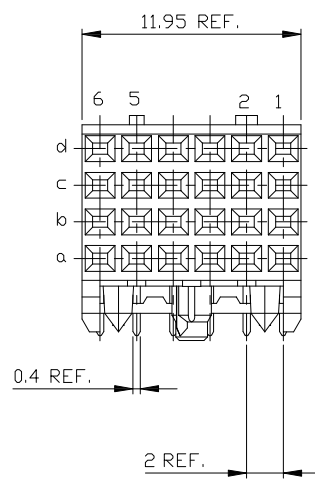
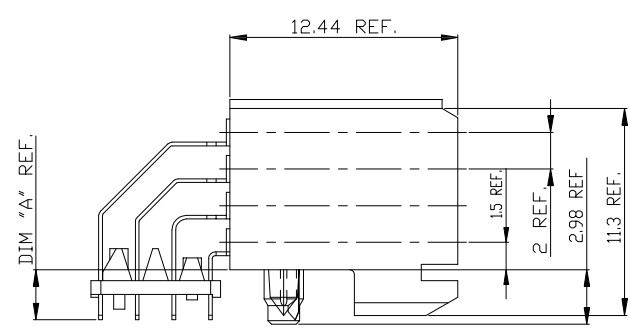
DASH NR:	PERFORMANCE LEVEL
-1YY	TELCORDIA CO
-2YY	CUSTOMER SPECIAL
-3YY	CUSTOMER SPECIAL
-9YY	TELCORDIA CO
-1YYLF	TELCORDIA CO
-2YYLF	CUSTOMER SPECIAL
-3YYLF	CUSTOMER SPECIAL
-9YYLF	TELCORDIA CO

mat'l. code		tolerances unless otherwise specified		CUSTOMER CDPY				
ltr	ecnr	no	date	linear	projection	title RA FEMALE SIGNAL		
k				angles		12 mm PRESS PEG		
				dir	D. de Bil	970529	product family METRAL(tn)	
				engr	P. Schalk	970529	code 213	
				chr	P. Schalk	970529	size dwg no	
				app	H. Cooljans	970529	scale 5:1	
sheet	revision							code
index	sheet							213
								sheet 2 of -

All rights strictly reserved. Reproduction or use in any form without written authority from the proprietor.
 Tous droits strictement réservés. Reproduction ou utilisation sous quelque forme que ce soit sans autorisation écrite du propriétaire.
 Property of F.C.I. S.A.
 © F.C.I. S.A.



PC BOARD VERSIONS		
PRODUCTNR	PCB THICKNESS	DIM "A"
89035-X03	1.6	2.90
89035-X13	2.4	3.53
89035-X03LF	1.6	2.90
89035-X13LF	2.4	3.53



- NOTES:
- BODY MAT'L: LIQUID CRYSTAL POLYMER 30% GLASS
FLAME RETARDANT ACC. UL 94-V0
 - TERMINAL MATERIAL: PHOSPHOR BRONZE.
 - PLATING SOLDER TAILS 2-8 um SnPb 90-97 OR 2-8 um PURE Sn FOR LEAD FREE.
 - INDICATED HOLES ARE UNPLATED.
 - PRODUCT MARKING: PART NUMBER & BATCH ID.
 - THIS PRODUCT MEETS EUROPEAN UNION DIRECTIVES AND OTHER COUNTRY REGULATIONS AS DESCRIBED IN GS-22-008.
 - THE HOUSING WILL WITHSTAND EXPOSURE TO 260 DEGREE PEAK TEMPERATURE FOR 10 SECONDS IN A WAVE SOLDER APPLICATION.

PLATING CONTACT AREA:	
DASH NR:	PERFORMANCE LEVEL
-1YY	TELCORDIA CO
-2YY	CUSTOMER SPECIAL
-3YY	CUSTOMER SPECIAL
-9YY	TELCORDIA CO
-1YYLF	TELCORDIA CO
-2YYLF	CUSTOMER SPECIAL
-3YYLF	CUSTOMER SPECIAL
-9YYLF	TELCORDIA CO

mat'l. code		tolerances unless otherwise specified		CUSTOMER CDPY		 www.fciconnection.com		
ltr	ecnr	nodr	date	linear	projection	title RA FEMALE SIGNAL		
K				angles		12 mm PRESS PEG		
				dir	Heaven Cen	11/23/06	product family METRAL(tm)	
				engr	Collins Lu	11/23/06	code 213	
				chr	Beer Fu	11/23/06	scale 5:1	
				app	Joseph Hsia	11/23/06	size/dwg no 89035	
sheet	revision							code
index	sheet							sheet 3 of -