

Customer Information Sheet

DRAWING No.: Z80-290

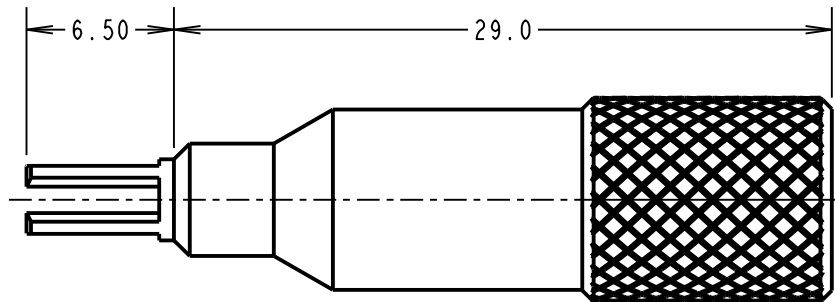
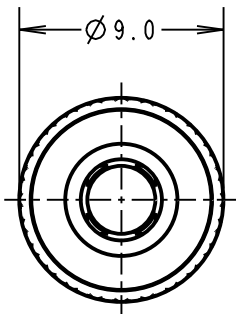
IF IN DOUBT - ASK



NOT TO SCALE

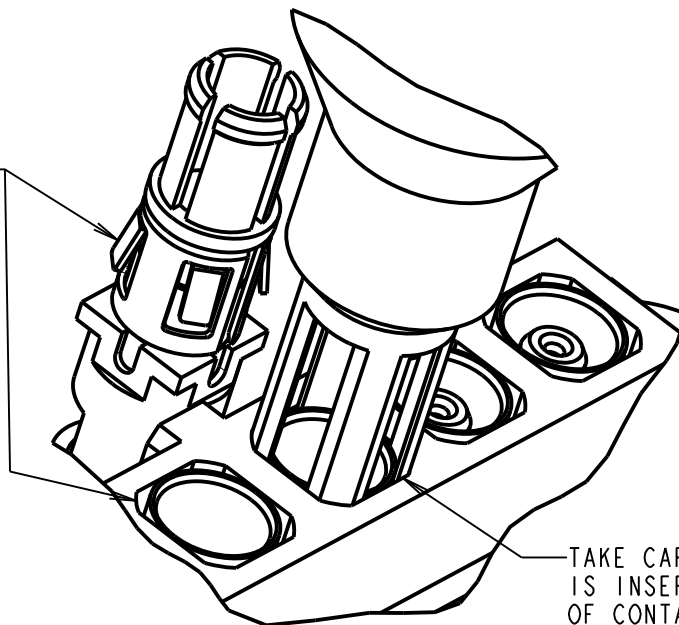
THIRD ANGLE PROJECTION

ALL DIMENSIONS IN mm

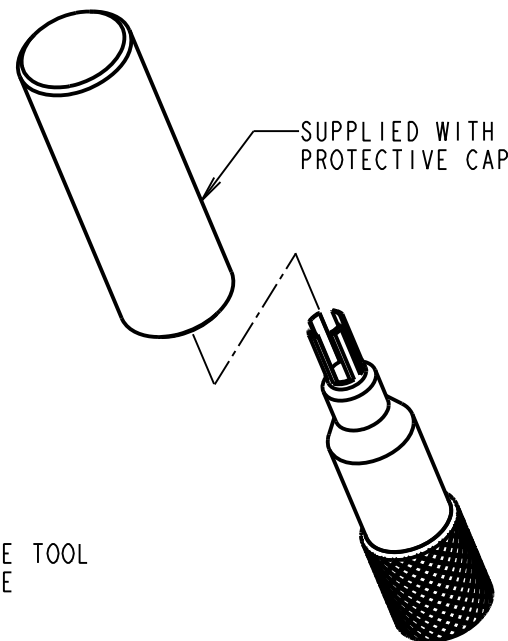


FOR REMOVAL OF CONTACT PART No.:
M80-305, M80-307, M80-308, M80-309
M80-315, M80-317, M80-318, M80-319
M80-325, M80-326, M80-327, M80-PF5
M80-328, M80-329
M80-32A, M80-32B, M80-32C
M80-335, M80-336, M80-337, M80-PM5
M80-338, M80-339

LINE UP TOOL WITH RETENTION FEATURE AND INSERT TO RELEASE CONTACT FROM MOULDING



TAKE CARE TO ENSURE TOOL IS INSERTED OUTSIDE OF CONTACT



MGP	5	20.04.20	21933
NAME	ISS.	DATE	C/NOTE
APPROVED: MGP			
CHECKED: RP			
DRAWN: J BROOKES			
CUSTOMER REF.:			
ASSEMBLY DRG:			

HARWIN

www.harwin.com
technical@harwin.com

THIS DRAWING AND ANY INFORMATION OR DESCRIPTIVE MATTER SET OUT HEREON ARE CONFIDENTIAL AND COPYRIGHT PROPERTY OF THE HARWIN GROUP AND MUST NOT BE DISCLOSED, LOANED, COPIED OR USED FOR MANUFACTURING, TENDERING OR FOR ANY OTHER PURPOSE WITHOUT THEIR WRITTEN PERMISSION.

TOLERANCES
X. = ± 1 mm
X.X = ± 0.50 mm
X.XX = ± 0.20 mm
X.XXX = ± 0.01 mm
ANGLES = $\pm 5^\circ$
UNLESS STATED

MATERIAL:
TOOL = STAINLESS STEEL
CAP = BLACK NYLON
FINISH:
S/AREA: mm²

TITLE:
MIX TEK SPECIAL CONTACT
REMOVAL TOOL

DRAWING NUMBER:
780-290

SHT
2
OF
2