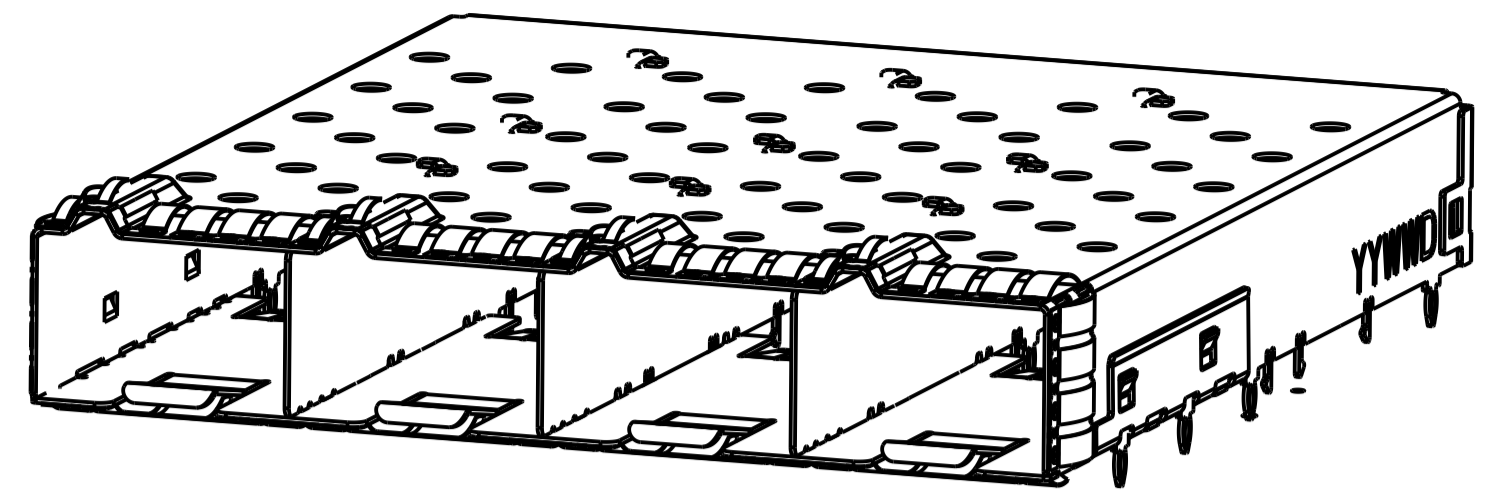


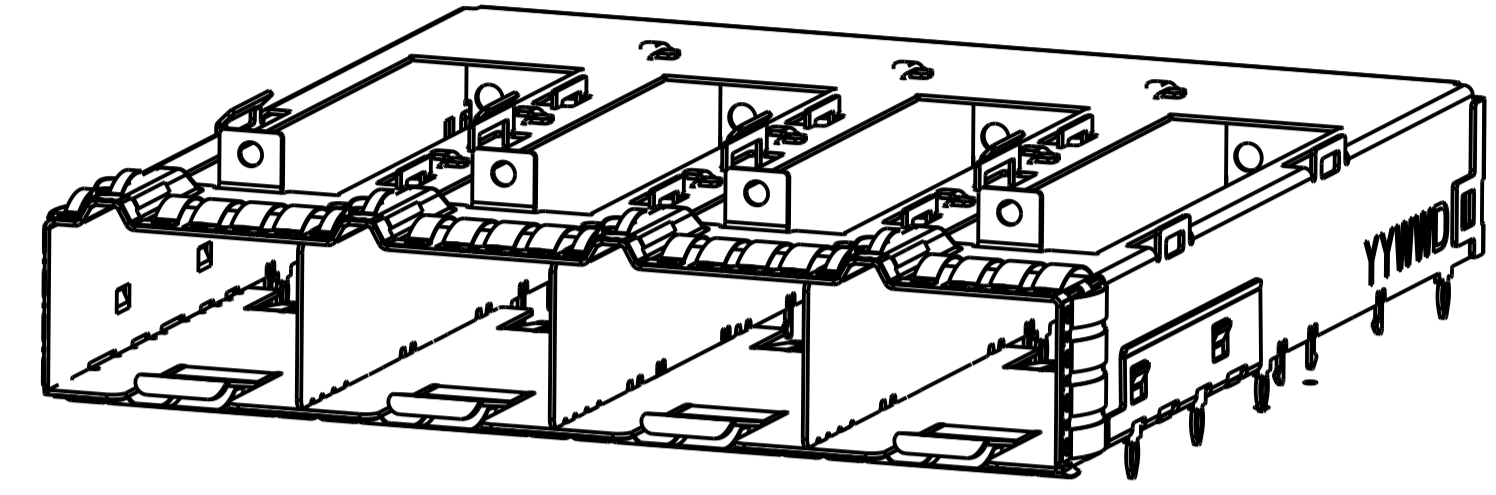
| LOC | DIST | REV | DATE | BY | CHK | APPV |
|-----|------|-----|-----------|----|-----|------|
| GP | 00 | A | 15JAN2021 | VL | SZH | |
| | | A1 | 21APR2021 | AJ | SZ | |

- CAGE: 0.25mm THICK STAINLESS STEEL
EMI SPRINGS: COPPER ALLOY
 - FINISH:
SPRINGS: 0.8um NICKEL. NON-PLATED EDGES PERMISSIBLE.
 - MATES WITH SFP-DD MSA COMPLIANT TRANSCEIVERS.
 - INTERPRETATION OF DATUM REFERENCE FRAME IN ACCORDANCE WITH SECT 4.4.1.1 OF ASME Y14.5M-1994.
 - MINIMUM PC BOARD THICKNESS:
SINGLE SIDED = 1.57mm
DOUBLE SIDED = 2.20mm
- △6 DATUM AND BASIC DIMENSION ESTABLISHED BY CUSTOMER.
- △7 REFERENCE APPLICATION SPEC. 114-60027, HOLE A, FOR RECOMMENDED DRILL HOLE DIAMETER AND PLATING THICKNESS.
- △8 REFERENCE APPLICATION SPEC. 114-60027, HOLE B, FOR RECOMMENDED DRILL HOLE DIAMETER AND PLATING THICKNESS.
- △9 HOLE PATTERN REPEATS FOR EACH PORT. SPACING BETWEEN PORTS IS 14.25mm.
10. DATUM -A- IS TOP SURFACE OF THE HOST BOARD.

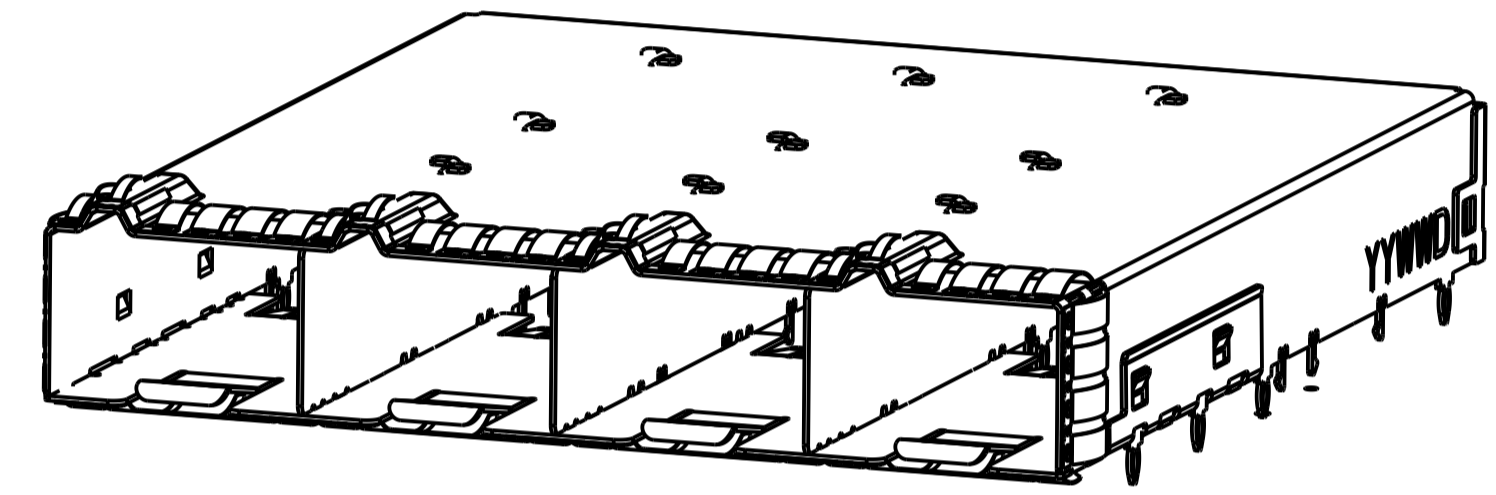
2344508-1
STANDARD VERSION
SCALE 5:2



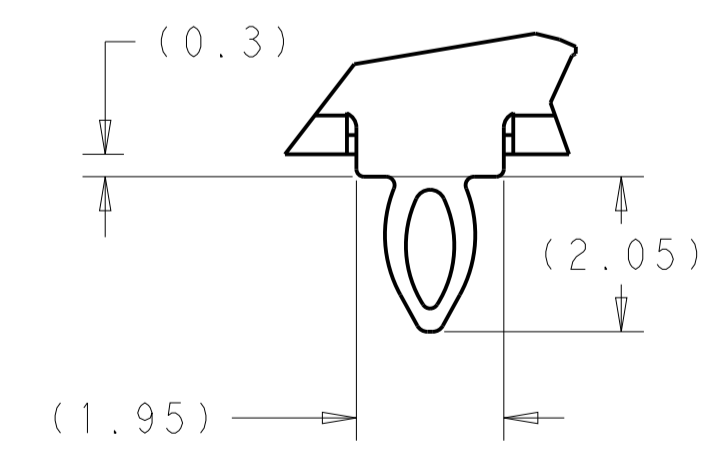
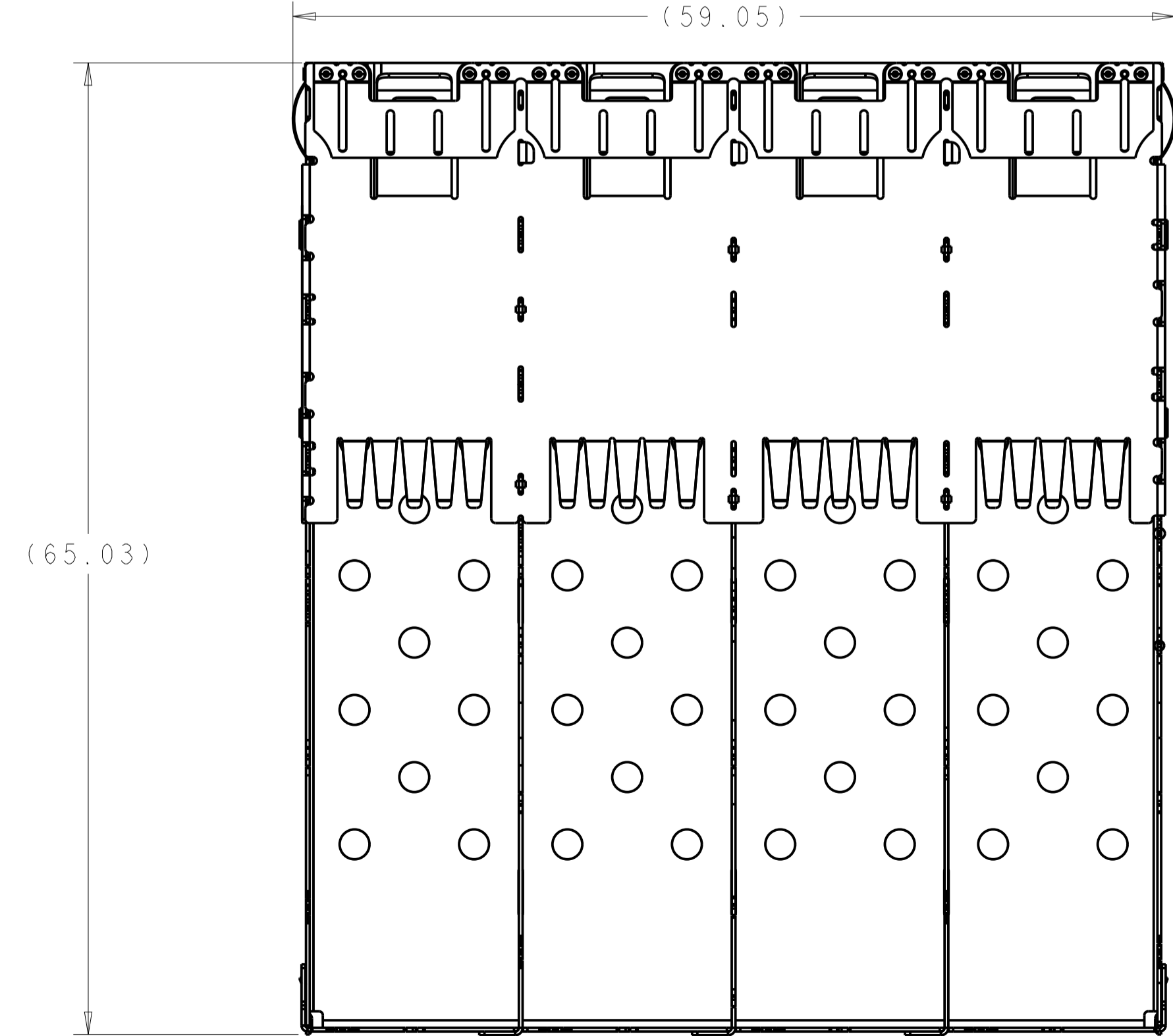
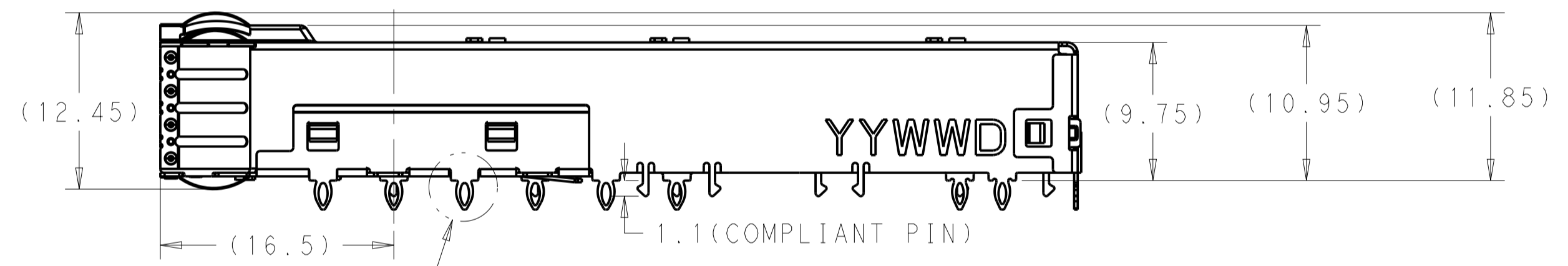
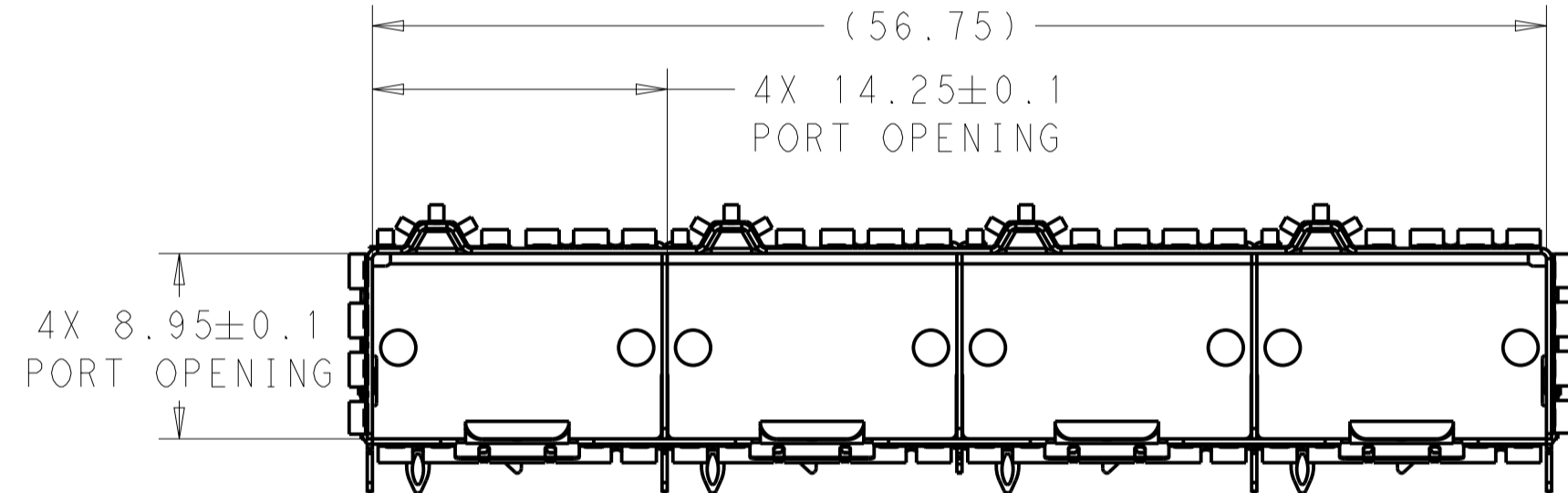
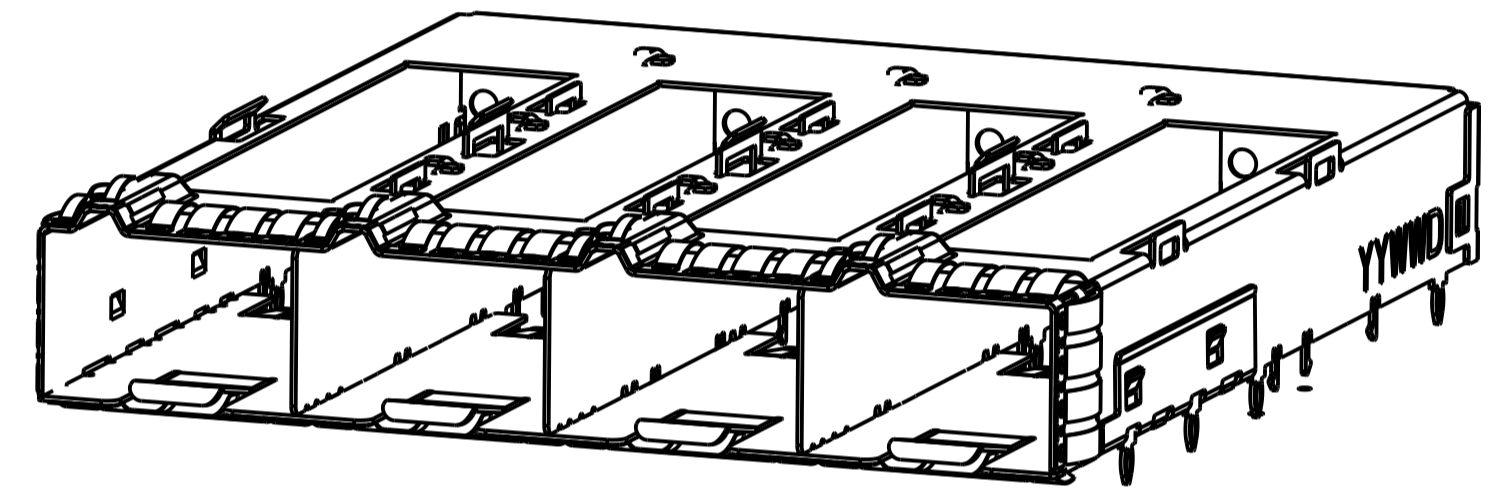
1-2344508-1
WITH LP TAP/ HS OPENING
SCALE 5:2



2344508-3
WITHOUT TOP VENT HOLE
SCALE 5:2



2344508-4
WITH HS OPENING
SCALE 5:2

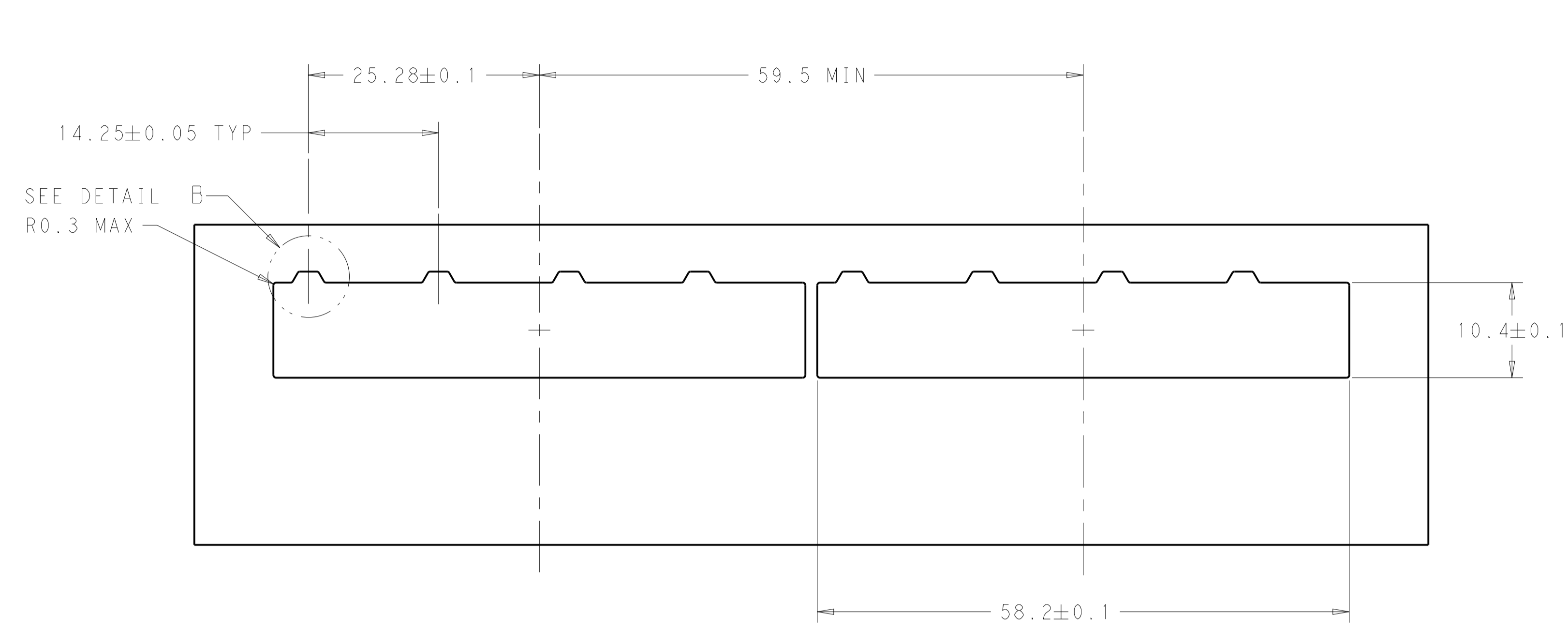


| | |
|--------------------------|-------------|
| W/HS OPENING | 2344508-4 |
| WITHOUT TOP VENT HOLE | 2344508-3 |
| W/ LP TAB AND HS OPENING | 1-2344508-1 |
| STANDARD | 2344508-1 |
| DESCRIPTION | PART NUMBER |

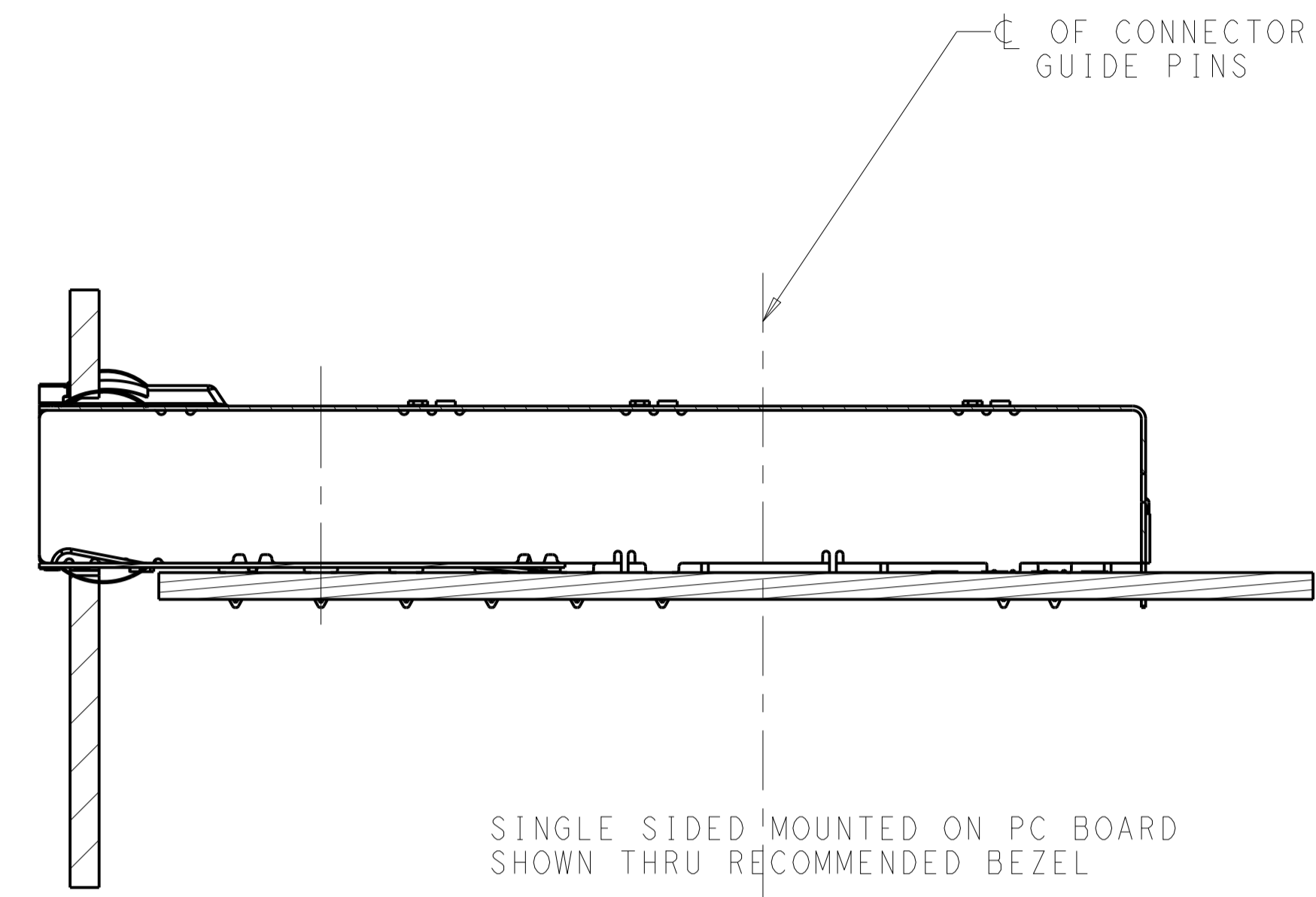
THIS DRAWING IS A CONTROLLED DOCUMENT. DWN: VINDY LIU 100C12018

| | | | |
|-------------|---|------------------|---------------------------------|
| DIMENSIONS: | TOLERANCES UNLESS OTHERWISE SPECIFIED: | APVD | NAME |
| mm | 0 PLC ±0.25 1 PLC ±0.25 2 PLC ±0.20 3 PLC ±0.20 4 PLC ±0.20 | PRODUCT SPEC | SFPDD 1X4 CAGE ASSEMBLY |
| | | APPLICATION SPEC | PRESS-FIT, EXTERNAL EMI SPRINGS |
| MATERIAL | FINISH | SIZE | RESTRICTED TO |
| | | 114-60027 | A1 00779 ©=2344508 |
| | | WEIGHT | |
| | | CUSTOMER DRAWING | SCALE 1:1 SHEET 1 OF 4 REV A1 |

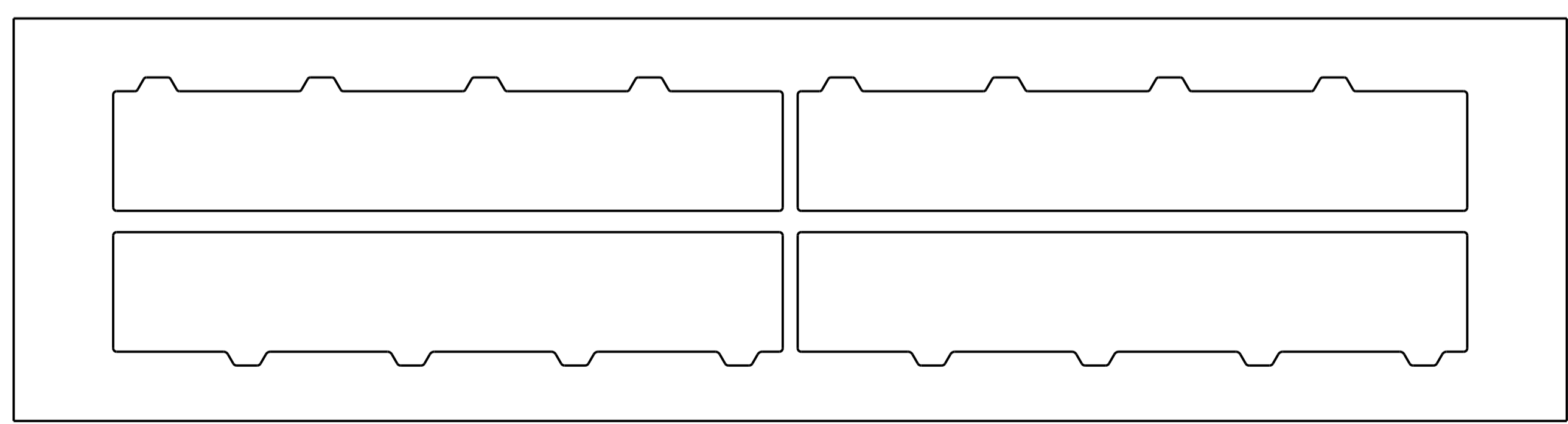
| LOC | DIST | REVISIONS | | | |
|-----|------|-------------|------|----|------|
| GP | 00 | REV | DATE | BY | APPV |
| - | - | SEE SHEET 1 | - | - | - |



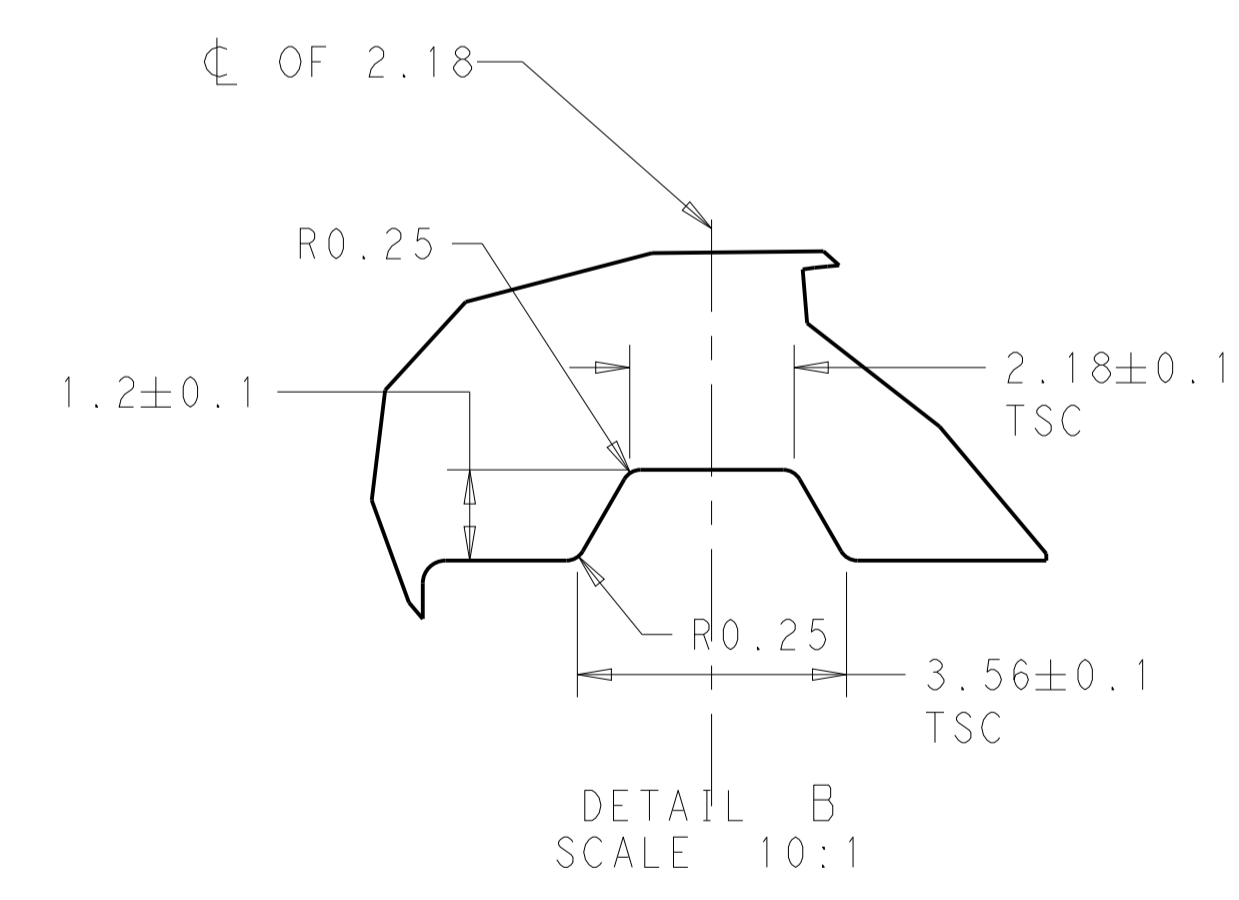
RECOMMENDED BEZEL CUT-OUT
SINGLE SIDED APPLICATIONS
SCALE 5:2



SINGLE SIDED MOUNTED ON PC BOARD
SHOWN THRU RECOMMENDED BEZEL



RECOMMENDED BEZEL CUT-OUT
BELLY TO BELLY APPLICATIONS
SCALE 5:2

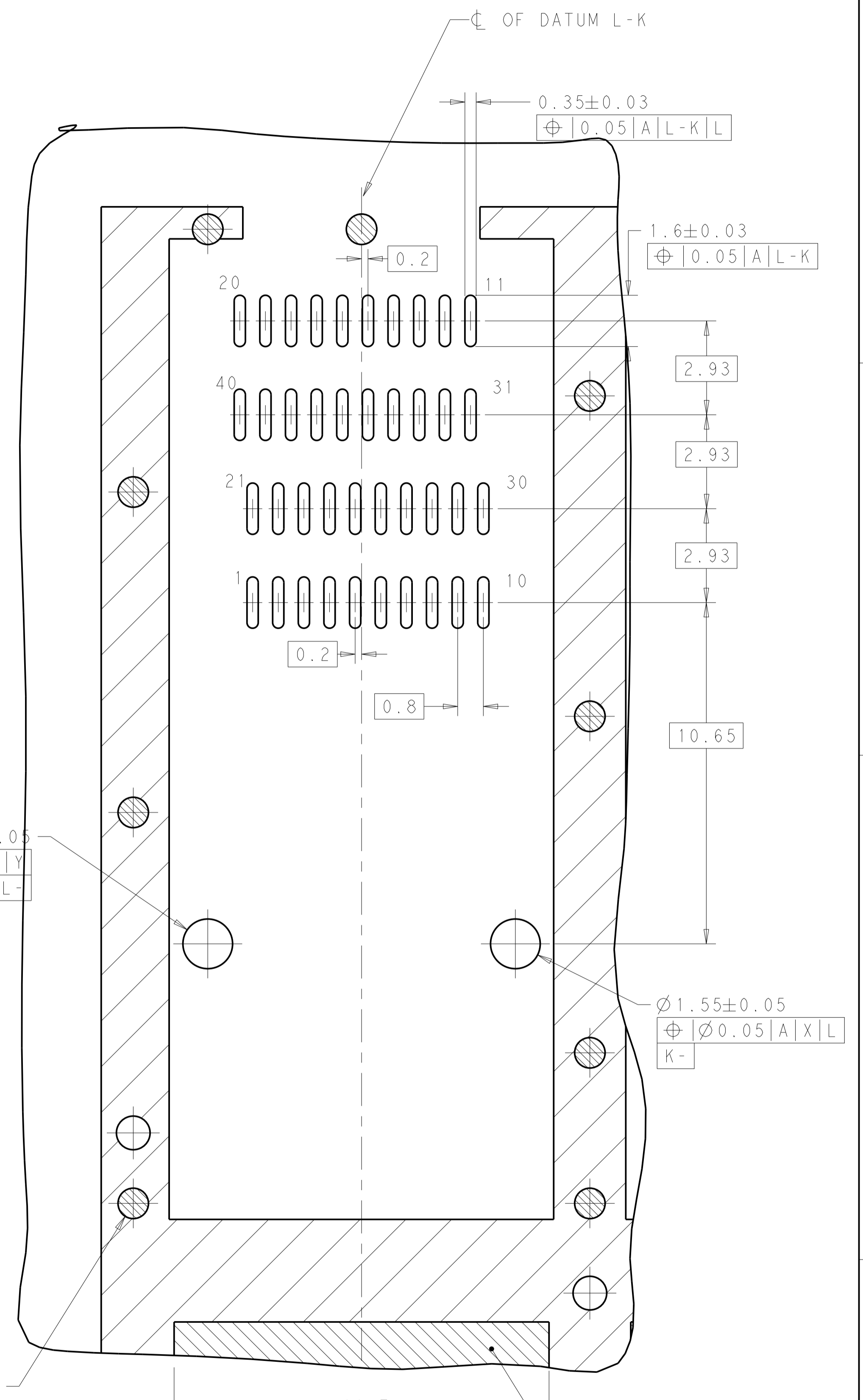
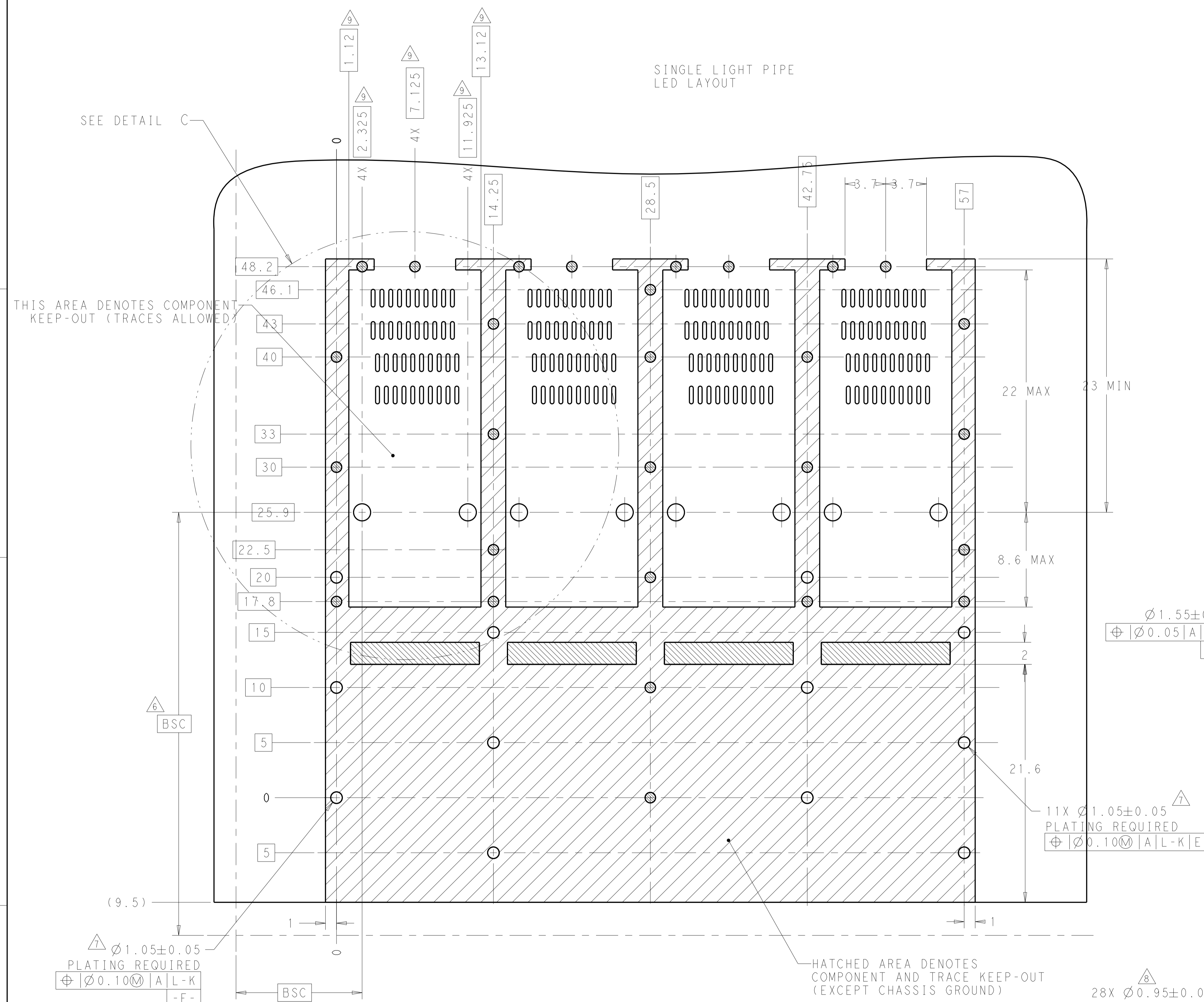


DETAIL B
SCALE 10:1

| | | | | | |
|--|--|--|-------------------------|---|--|
| THIS DRAWING IS A CONTROLLED DOCUMENT. | | OWN: WINDY LIU | 100C12018 | TE Connectivity | |
| DIMENSIONS: mm | | TOLERANCES UNLESS OTHERWISE SPECIFIED: | APVD: | NAME: SFPDD 1X4 CAGE ASSEMBLY PRESS-FIT, EXTERNAL EMI SPRINGS | |
| | | 0 PLC ±0.25 | PRODUCT SPEC: 108-60128 | SIZE: A1 | |
| | | 1 PLC ±0.25 | APPLICATION SPEC: | CAGE CODE: 2344508 | |
| | | 2 PLC ±0.20 | 114-60027 | RESTRICTED TO: | |
| | | 3 PLC ±0.20 | WEIGHT: | SCALE: 1:1 SHEET 2 OF 4 REV: A1 | |
| | | 4 PLC ± | CUSTOMER DRAWING | | |
| | | ANGLES: | | | |
| | | FINISH: | | | |

| LOC | DIST | REV | DATE | BY | APPV |
|-----|------|-----|------|----|------|
| GP | 00 | | | | |

| REVISIONS | | | | |
|-----------|-------------|------|----|------|
| NO. | DESCRIPTION | DATE | BY | APPV |
| 1 | SEE SHEET 1 | | | |

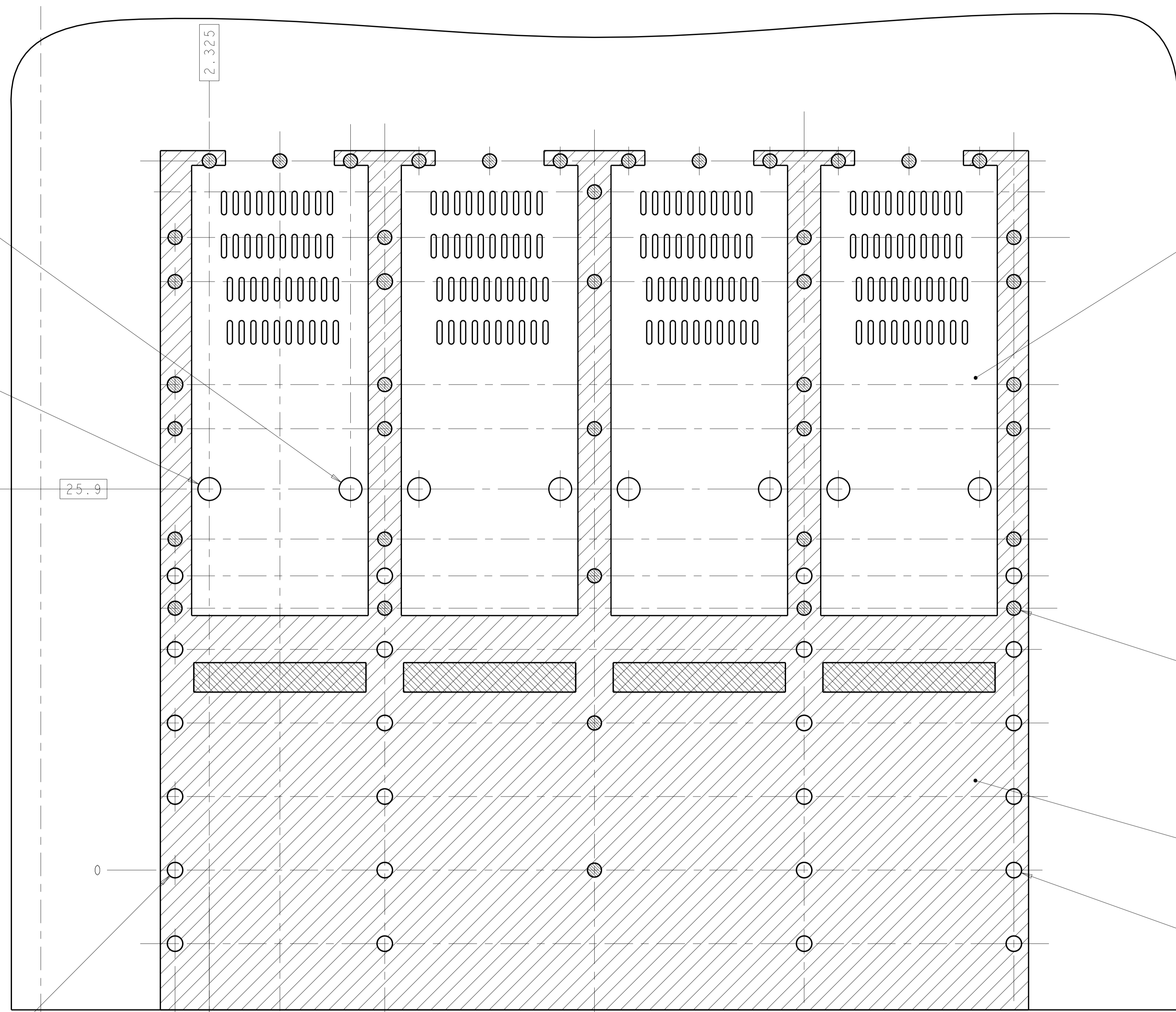


RECOMMENDED PCB CONFIGURATION WITH KEEP-OUT AREAS SINGLE SIDED APPLICATIONS SCALE 5:1

DETAIL C SCALE 10:1

| | | | |
|--|---------|-------------------|-----------------------------|
| THIS DRAWING IS A CONTROLLED DOCUMENT. | | OWN: WINDY LIU | DATE: 100C12018 |
| DIMENSIONS: mm | | APVD: | NAME: |
| TOLERANCES UNLESS OTHERWISE SPECIFIED: | | PRODUCT SPEC: | SIZE: CAGE CODE DRAWING NO: |
| 0 PLC ±0.25 | | 108-60128 | RESTRICTED TO: |
| 1 PLC ±0.25 | | APPLICATION SPEC: | |
| 2 PLC ±0.20 | | 114-60027 | |
| 3 PLC ±0.20 | | WEIGHT: | |
| 4 PLC ±0.20 | | SCALE: 1:1 | |
| ANGLES: # | | SHEET 3 OF 4 | |
| MATERIAL: | FINISH: | CUSTOMER DRAWING | REV: A1 |

| LOC | DIST | REVISIONS | | | |
|-----|------|-------------|------|----|------|
| GP | 00 | REV | DATE | BY | APPV |
| - | - | SEE SHEET 1 | - | - | - |



$\varnothing 1.55 \pm 0.05$
 $\varnothing 0.05$ | A | X | L
 -K-

$\varnothing 1.55 \pm 0.05$
 $\varnothing 0.05$ | A | X | Y
 -L-

$\varnothing 1.05 \pm 0.05$
 PLATING REQUIRED
 $\varnothing 0.10$ | A | L - K | E
 -E-

THIS AREA DENOTES COMPONENT KEEP-OUT (TRACES ALLOWED)

42X $\varnothing 0.95 \pm 0.05$
 PLATING REQUIRED
 $\varnothing 0.10$ | A | L - K | E

HATCHED AREA DENOTES COMPONENT AND TRACE KEEP-OUT (EXCEPT CHASSIS GROUND)

23X $\varnothing 1.05 \pm 0.05$
 PLATING REQUIRED
 $\varnothing 0.10$ | A | L - K | E

RECOMMENDED PCB CONFIGURATION WITH KEEP-OUTS FOR BELLY TO BELLY APPLICATIONS
 SAME AS SINGLE SIDE APPLICATION, EXCEPT AS SHOWN
 SCALE 6:1

| | | | | | |
|--|--|-------------------------|-----------------------------|-------------------|-----------------------|
| THIS DRAWING IS A CONTROLLED DOCUMENT. | | DWN: VINDY LIU | 100C12018 | TE Connectivity | |
| DIMENSIONS: mm | | CHK: | APVD: | | |
| TOLERANCES UNLESS OTHERWISE SPECIFIED: 0 PLC ± 0.25 1 PLC ± 0.25 2 PLC ± 0.20 3 PLC ± 0.20 4 PLC ± 0.20 ANGLES \pm | | PRODUCT SPEC: 108-60128 | APPLICATION SPEC: 114-60027 | SIZE: A1 | RESTRICTED TO: - |
| MATERIAL: | | FINISH: - | WEIGHT: - | CAGE CODE: 100779 | DRAWING NO: C=2344508 |
| CUSTOMER DRAWING | | | SCALE: 1:1 | SHEET: 4 OF 4 | REV: A1 |