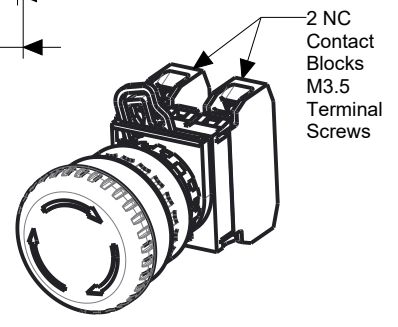
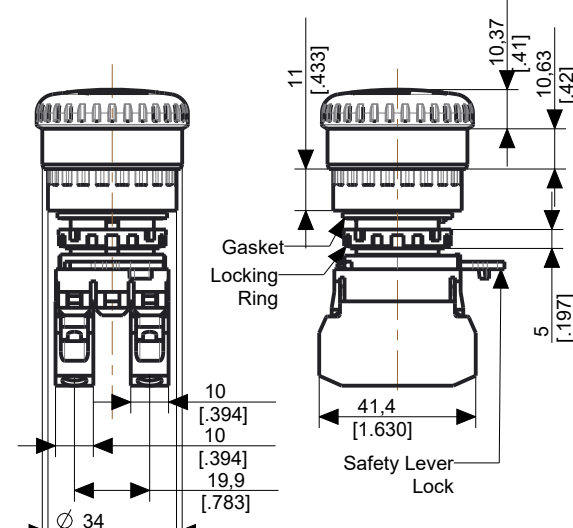
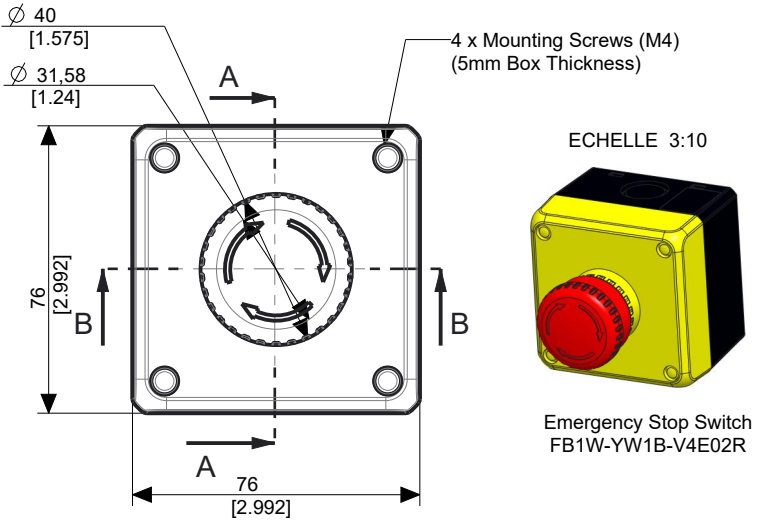
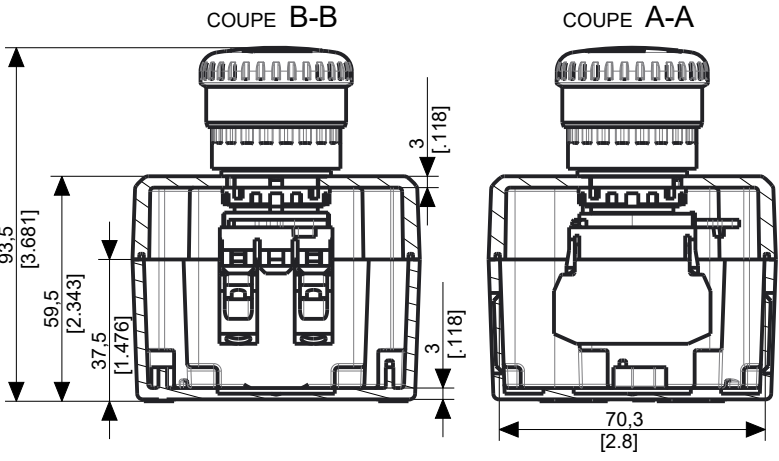


B

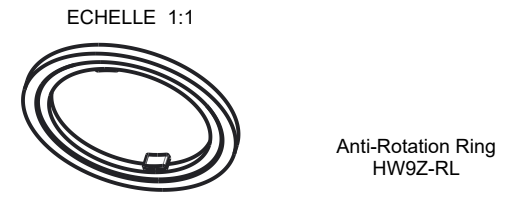
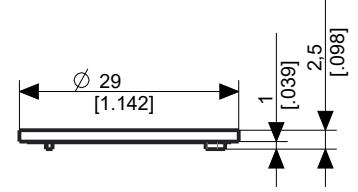
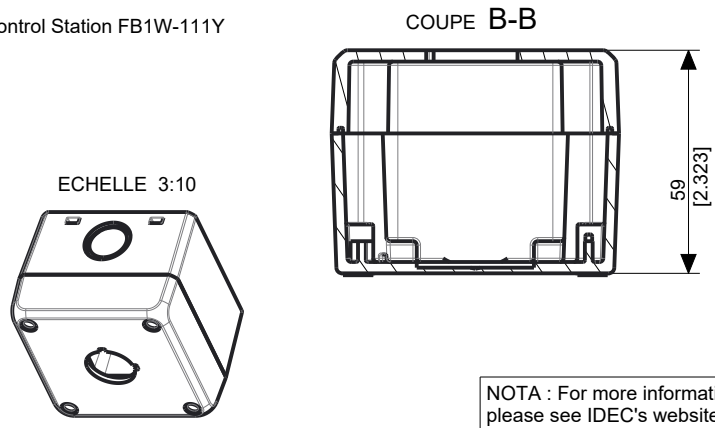
A

GENERAL TOLERANCE: ±	0.3 (.012)					
----------------------	---------------	--	--	--	--	--



**Emergency Stop Switch  
YW1B-V4E02R**

**Control Station FB1W-111Y**



NOTA : For more informations,  
please see IDEC's website :  
apem-idec.eu

-	-	-	-	MATERIAL:	<p>55, av E.HERRIOT BP 1 82303 CAUSSADE CEDEX Tél.05.63.93.14.98 - Télécopie.05.63.93.19.03</p>	DRAWN: Pierre Baudime
-	-	-	-	VOLUME : 164873.497mm <sup>3</sup> SURFACE: 88024.433mm <sup>2</sup>		DATE: 03/12/2020
-	-	-	-	TREATMENT:		CHECKED: -
-	-	-	-	FINISH:		SERIES: FB
-	-	-	-	Scale: 1:2	REF: <b>D19FB001-2</b>	SHEET: 1 / 1
-	-	-	-			A
A	Diffusion plan suite OP-007614	03/12 2020	P.BA	<b>Emergency Pushbutton FB1W-YW1B-V4E02R</b>		Etude
Issue	MODIFICATIONS	DATE	NAME			D19FB001-2

This document is the property of APEM and may not be copied or used for any purpose without written authority. Dimensions and data shown in this specification are subject to change without notice.

B

A

2

1

Document Creo Parametric