

Specifications

Material
 Housing&Slide : High Temperature Thermoplastic, UL94V-0, Black
 Contact Terminal: Copper Alloy
 Metallic Shell: Stainless Steel
 Spring: SWP-B
 Link: Stainless Steel

Plating

Contact :
 Contact Area: Gold Flash over Nickel
 Soldering Tail: Gold Flash over Nickel
Shell:
 Soldering Tail: Gold Flash over Nickel
Spring&Link: Cleaning

Electrical

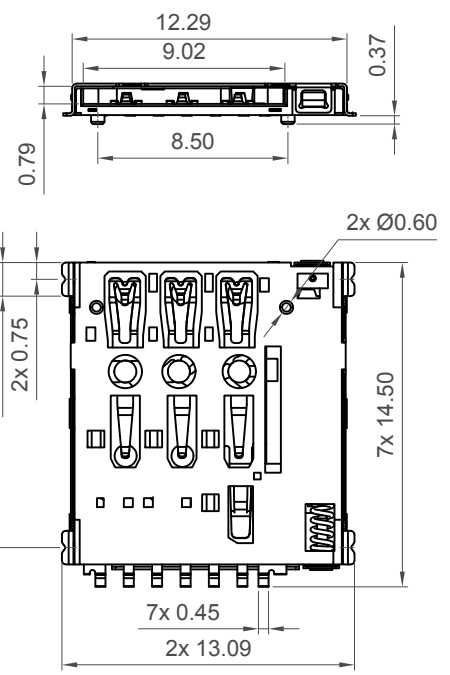
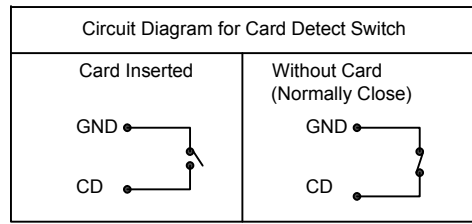
Voltage rating: 30V AC/DC
 Current Rating: 0.5 Amp AC/DC Max.
 Contact Resistance:
 Signal contact: 100 mΩ Max.
 CD to GND: 200 mΩ Max.
 Dielectric Withstanding Voltage: 500V AC (60 Sec Min.)
 Insulation Resistance: 1000 MΩ Min. @500V DC

Mechanical & Environmental

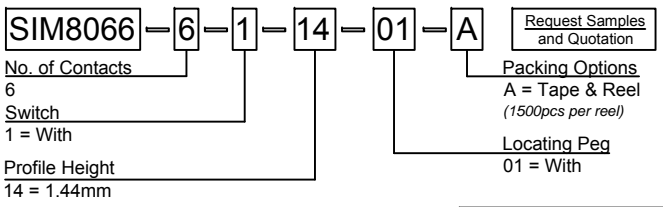
Operating Temperature: -40°C to +85°C
 Durability : 5,000 cycles

Recommended PCB Layout

(Viewed from Component Side - Tolerance:±0.05mm)
 ▨ Solder Area ▩ Keep Out Area □ Component Outline

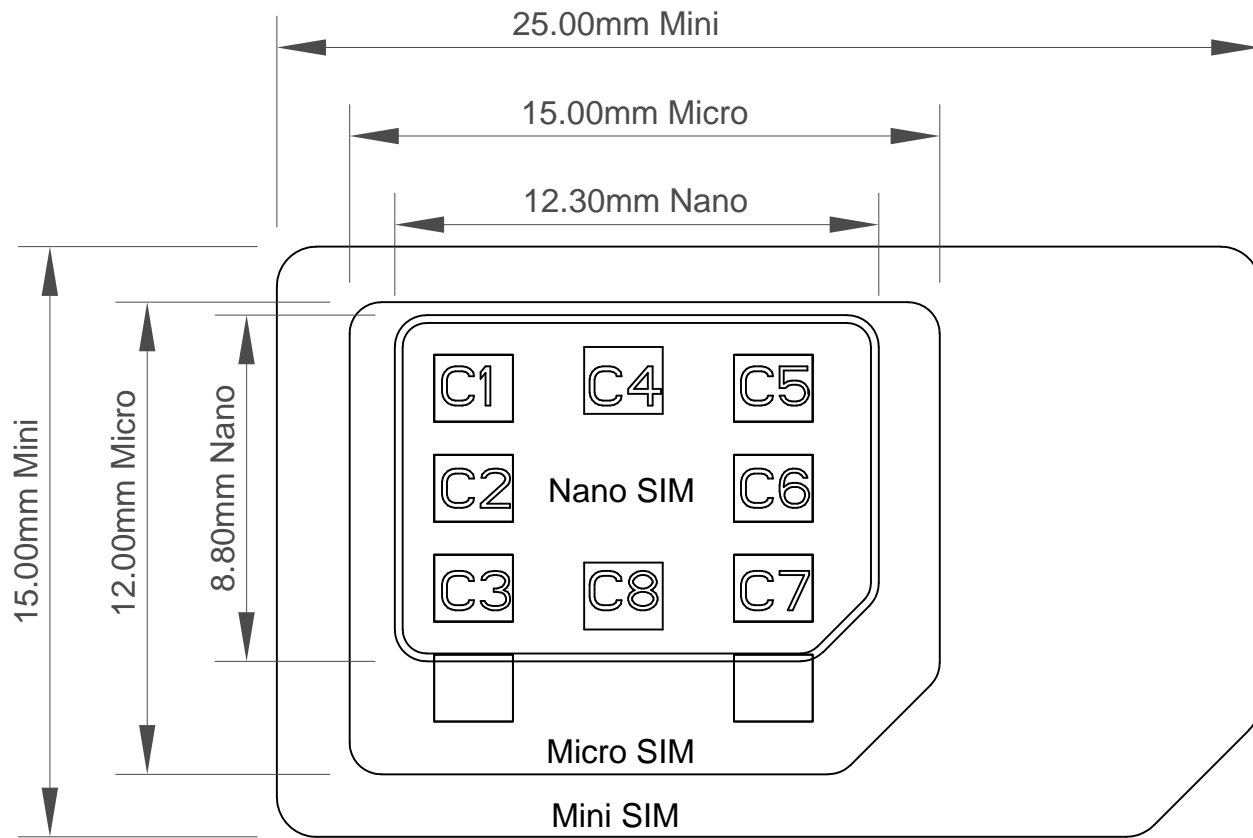


Ordering Grid



Part Number		Product Description	
SIM8066		Nano SIM Card Connector	
Drawing Date		Push-Push Type, SMT, 6Pin, 1.44mm Profile	
19th March 2021			
By	CC	Tolerances (Except as Noted)	Units:
Detail	Drawing Release	Length	Metric (mm)
Revision	A	X.X ± 0.30	
Date	19/03/21	X.XX ± 0.20	
		X.XXX ± 0.10	± 2°

Not to Scale | Drawn By CC | Sheet No. 1/3



- C1----->VCC
- C2----->RST
- C3----->CLK
- C5----->GND
- C6----->Vpp
- C7----->I/O

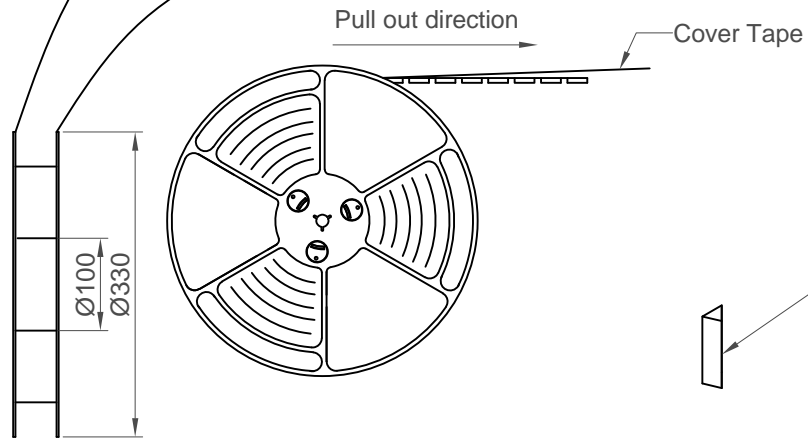
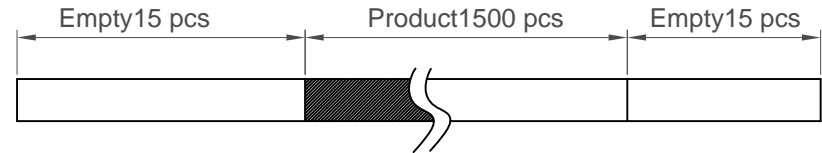
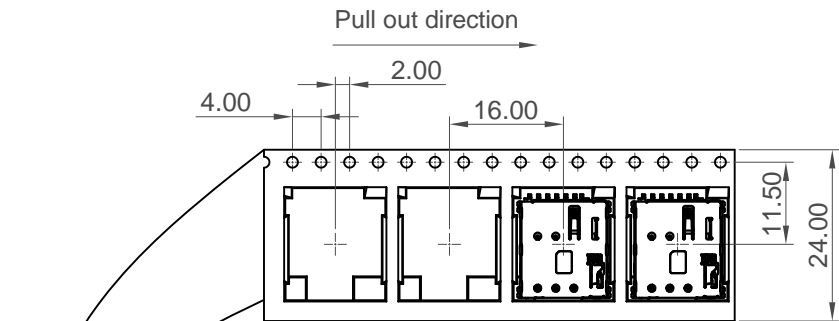
Reference

Part Number		Product Description			
SIM8066		Nano SIM Card Connector			
Drawing Date		Push-Push Type, SMT, 6Pin, 1.44mm Profile			
19th March 2021					
By	CC	Tolerances (Except as Noted)		Units:	
Detail	Drawing Release	Length	Angle	Metric (mm)	
Revision	A	X.X ± 0.30		± 2°	
Date	19/03/21	X.XX ± 0.20			
		X.XXX ± 0.10			

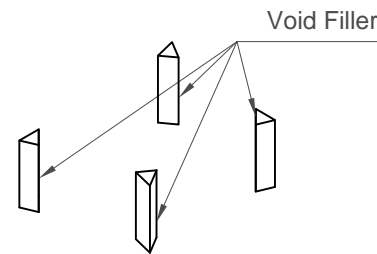
© This drawing is confidential and copyright of Global Connector Technology, Ltd (GCT). This drawing must not be copied or disclosed without written consent. E & OE

GCT
www.gct.co

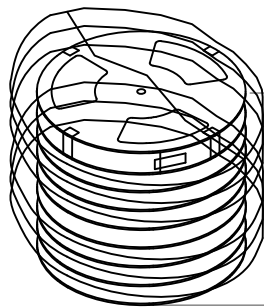
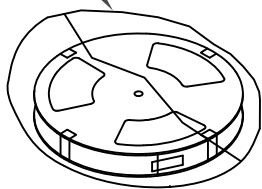
Not to Scale	Drawn By CC	Sheet No. 2/3
--------------	----------------	------------------



Pcs/Reel	Reels/Carton	Pcs/Carton
1500	10	15000

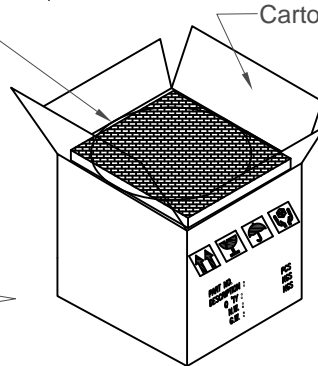


Vacuum Bag



10 Reels

PE Foam

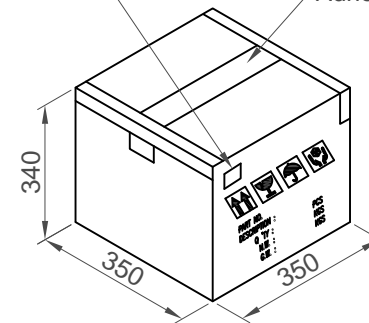


Carton

1500pcs x 10=15000pcs

Label

Adhesive Tape



Part Number		Product Description	
SIM8066		Nano SIM Card Connector	
Drawing Date		Push-Push Type, SMT, 6Pin, 1.44mm Profile	
19th March 2021			
By	CC	Tolerances (Except as Noted)	Units:
Detail	Drawing Release	Length	Metric (mm)
Revision	A	X.X ± 0.30	
Date	19/03/21	X.XX ± 0.20	
		X.XXX ± 0.10	

This drawing is confidential and copyright of Global Connector Technology, Ltd (GCT). This drawing must not be copied or disclosed without written consent. E & OE



www.gct.co

Not to Scale	Drawn By CC	Sheet No. 3/3
--------------	-------------	---------------