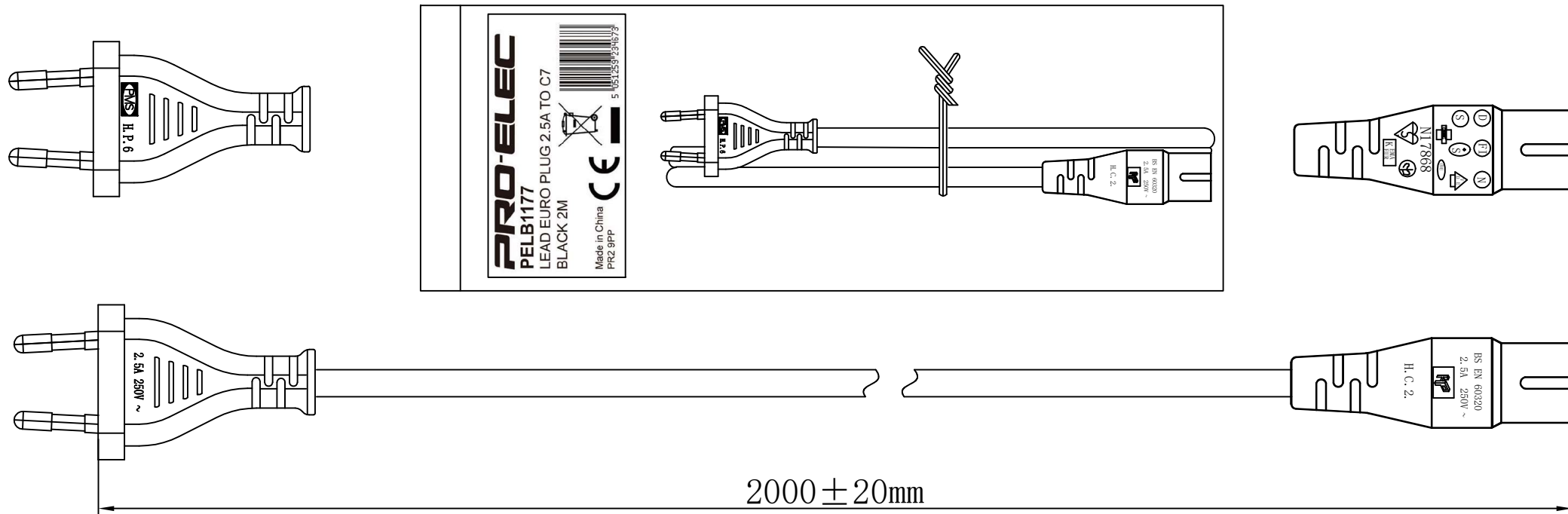


REVISION

SYM	DESCRIPTION	DATE	APPROVAL



CABLE MARKING: H03VVH2-F 2X0.75mm² <VDE> N19626 60227 IEC 52 300/300V

CABLE COLOR: BLACK