

DESIGNATION

MM60-52B1-E*

SERIES PREFIX
No. OF CONTACTS
SOCKET TYPE
KEYING TYPE

CONTACT FINISH
1: Au(0.1μm Min.) OVER NI
2: Au(0.3μm Min.) OVER NI

MODIFY CODE
E: 5.9mm HIGHT WITH BOSS

版数 REV.	年月日 DATE	DCN NO.	変更内容 DESCRIPTION	製図 DR.	担当 CHK.	査閲 APPD.	承認 APPD.
2	23.Jan.2006	059045	CHANGED BOSS LENGTH		Y.YAHIRO		K.HISATOMI

NOTE 1. PRODUCTION LOT No. AS INDICATED.

(Ex.) T501

LOT NUMBER OF CURRENT MONTH
MONTH (1 TO 9 FOR JAN. TO SEPT. RESPECTIVELY,
OCT.:0, NOV.:X, DEC.:Y)
YEAR (LAST DIGIT ONLY)
MANUFACTURE CODE

NOTE 2. CARD THICKNESS APPLIES ACROSS TABS AND INCLUDES PLATING AND/OR METALIZATION.

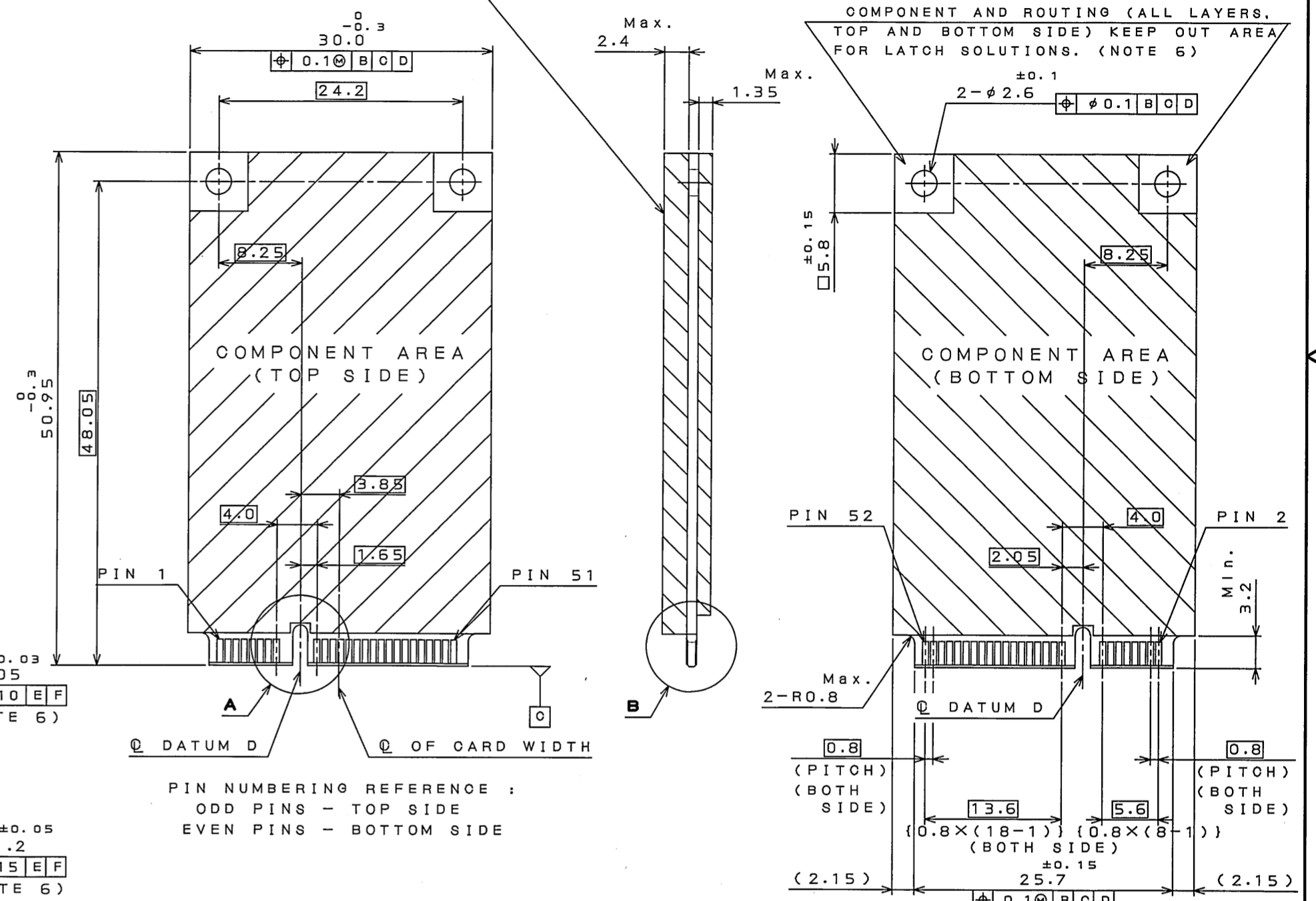
NOTE 3. BEVEL MUST BE FREE OF CUTTING BURRS.

NOTE 4. THE HORIZONTAL AXIS FOR THE PATTERN IS ESTABLISHED BY A LINE THROUGH THE CENTER OF THE φ1.6 AND φ1.1 HOLES.
THE VERTICAL AXIS IS 90° TO THE HORIZONTAL AXIS, THROUGH THE CENTER OF DATUM F.

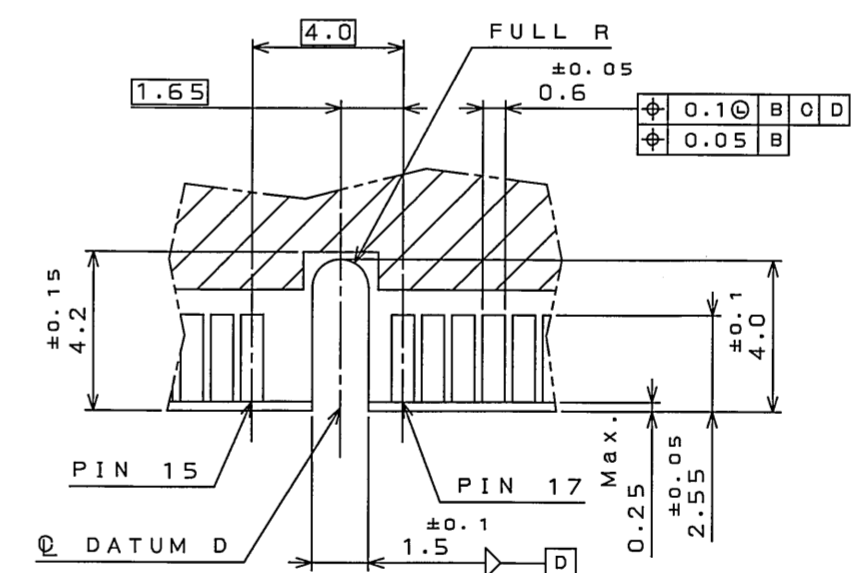
NOTE 5. LOCATION OF INSERTED CARD EDGE IS ALIGNED WITH Q OF HOLES.

NOTE 6. ONLY WHEN THE LATCH SHOWN IN SJ105221(MM60-EZH059-B5) IS USED, THESE DIMENSIONS ARE APPLIED.

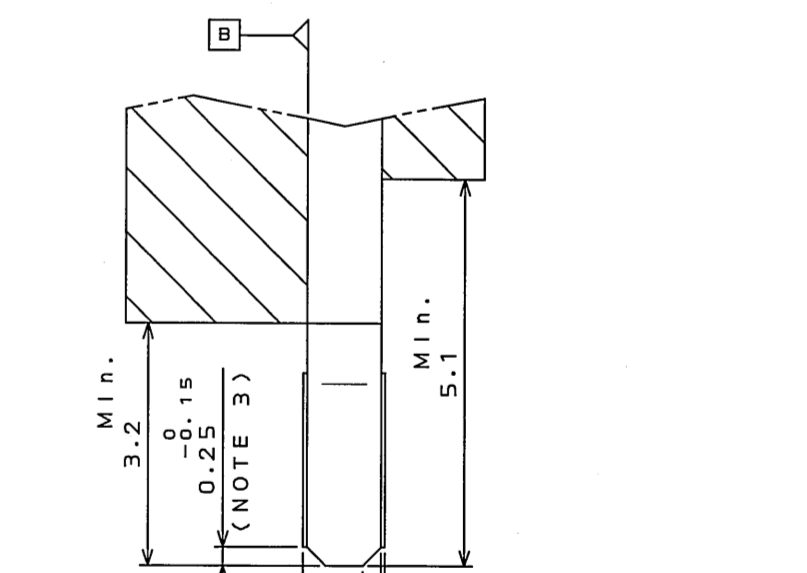
HATCHED AREAS ILLUSTRATE MAXIMUM AVAILABLE COMPONENT VOLUME. APPLICABLE DIMM(REF.)



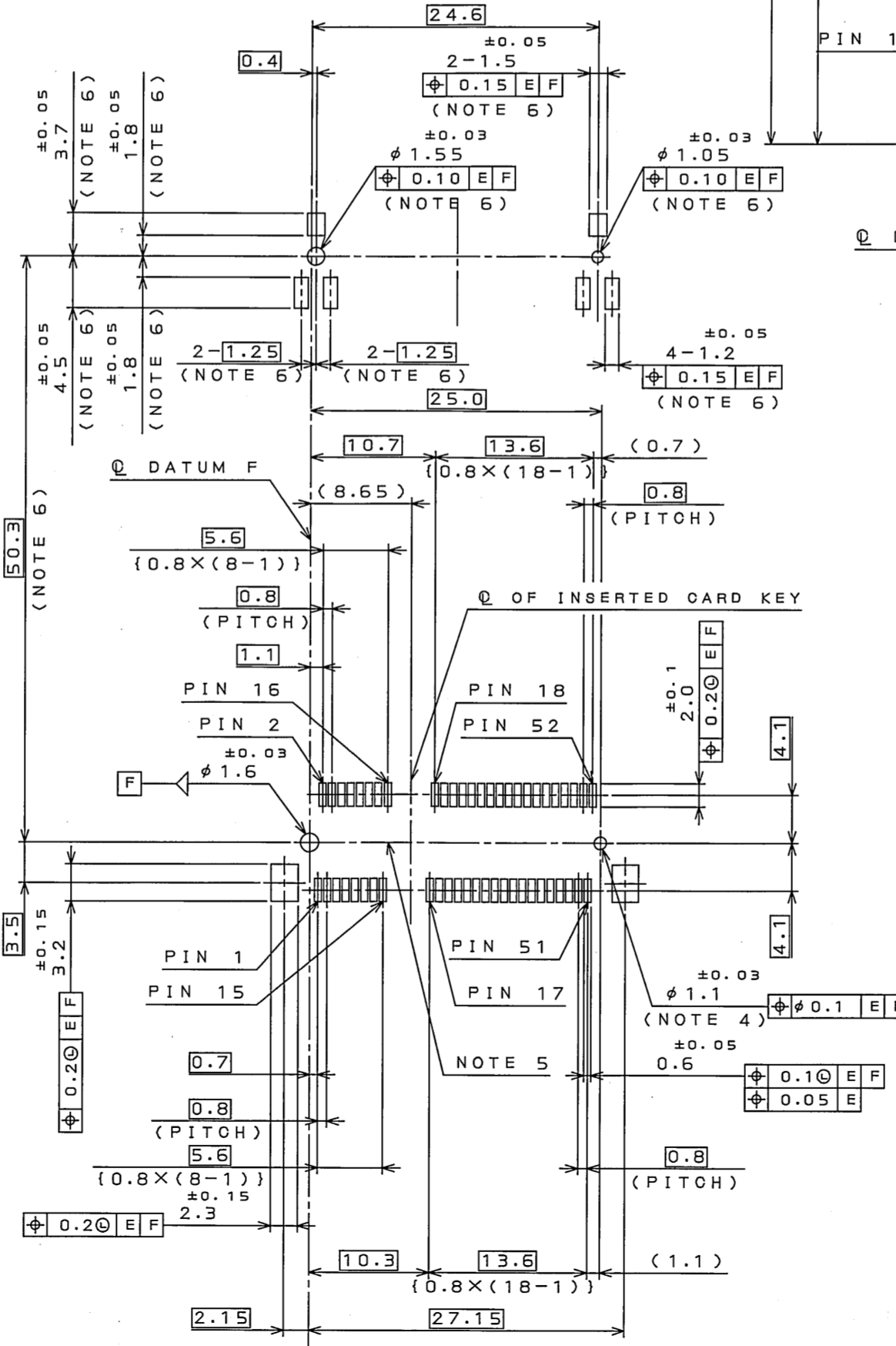
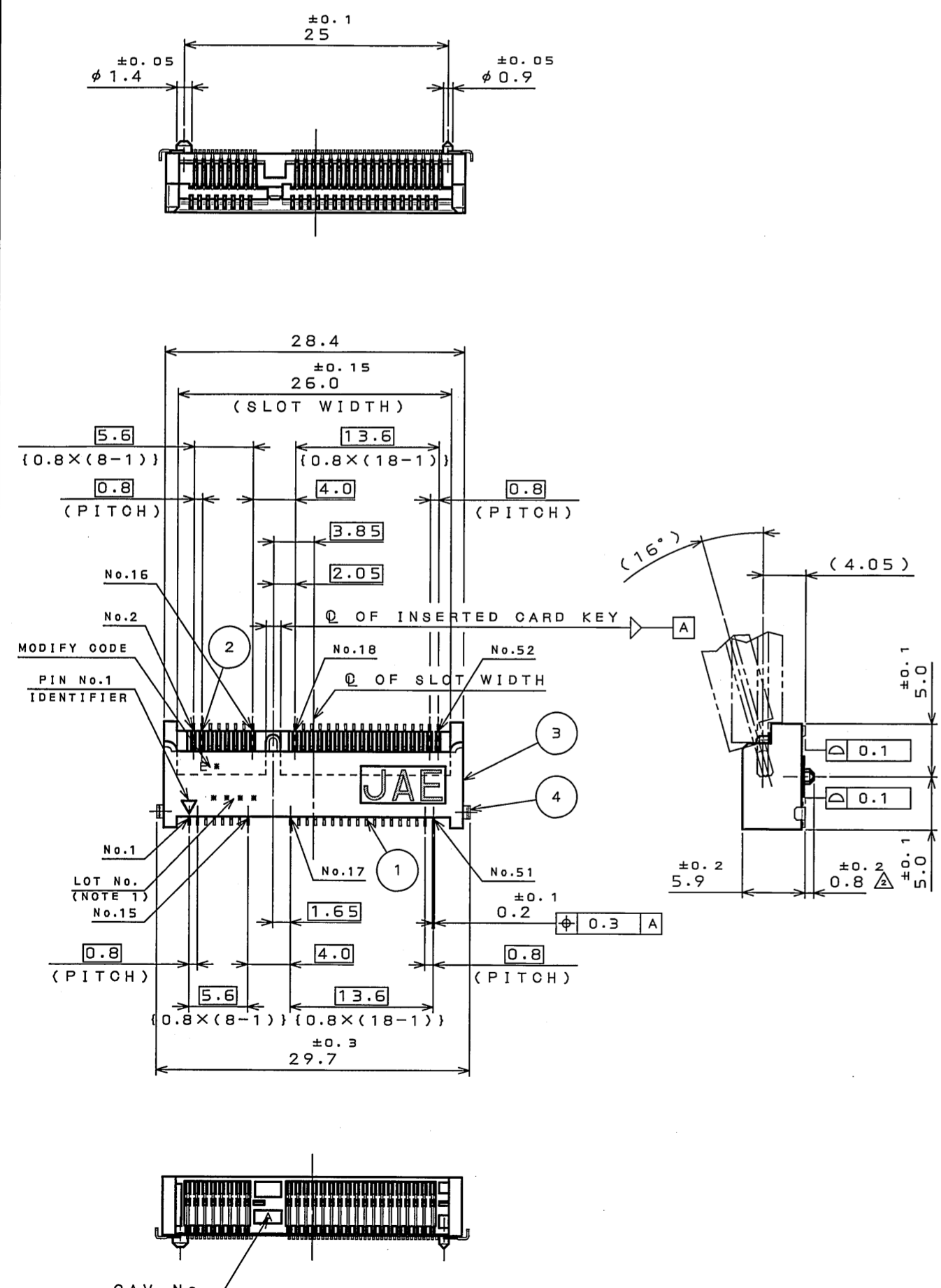
PIN NUMBERING REFERENCE :
ODD PINS - TOP SIDE
EVEN PINS - BOTTOM SIDE



DETAIL A (SCALE 5:1)



DETAIL B (SCALE 10:1)



DATUM E IS THE TOP OF SURFACE OF PCB.
APPLICABLE P.C.B. DIMENSION(REF.)
適合基板寸法(参考)

符号 NO.	名称 DESCRIPTION	個数 QTY.	材料 MATERIAL	仕上 FINISH	備考 REMARKS
4	HOLD DOWN	2	COPPER ALLOY	TIN PLATING	
3	INSULATOR	1	THERMOPLASTIC		UL94 V-0
2	BOTTOM SIDE CONTACT	26	COPPER ALLOY		CONTACT AREA : Au OVER NI SOLDERING AREA : GOLD FLASH OVER NI
1	TOP SIDE CONTACT	26	COPPER ALLOY		CONTACT AREA : Au OVER NI SOLDERING AREA : GOLD FLASH OVER NI

仕様書(SPECIFICATION)	第1版(ORIGINAL DATE)	尺度(SCALE)	シリーズ(SERIES)	製図 DR.	名称(TITLE)
JACS-10313	5.Dec.2005	2:1	MM60	Y.YAHIRO	MM60-52B*-E*

公差(GENERAL TOLERANCE)	角度(ANGLES)	製図 DR.	担当 CHK.	査閲 APPD.	承認 APPD.
. ±0.8	° ±		Y.YAHIRO		K.HISATOMI
.X ±0.4	°X ±				
.XX ±0.1					
.XXX ±					

質量(MASS)	製図 DR.	担当 CHK.	製図 DR.	名称(TITLE)	製図 DR.
		Y.YAHIRO	Y.YAHIRO	MM60-52B*-E*	Y.YAHIRO