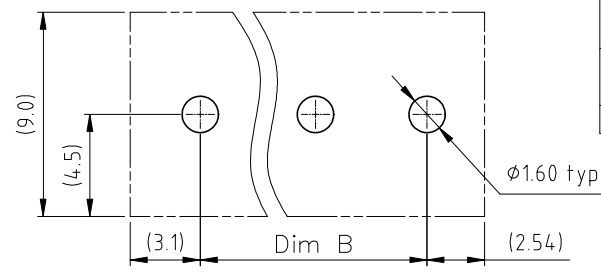
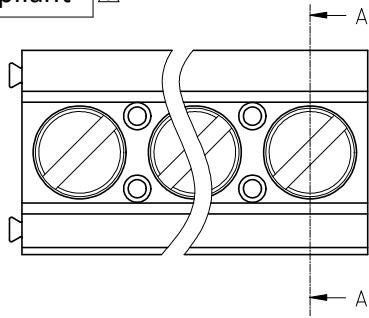
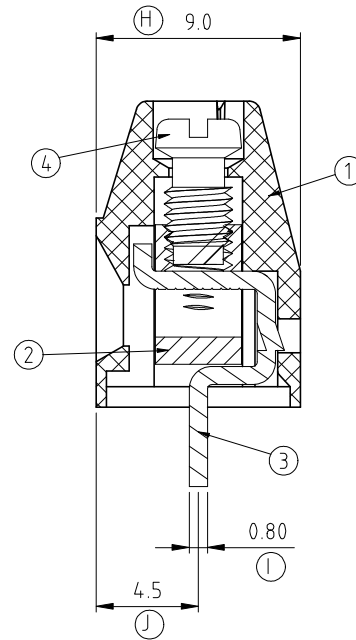
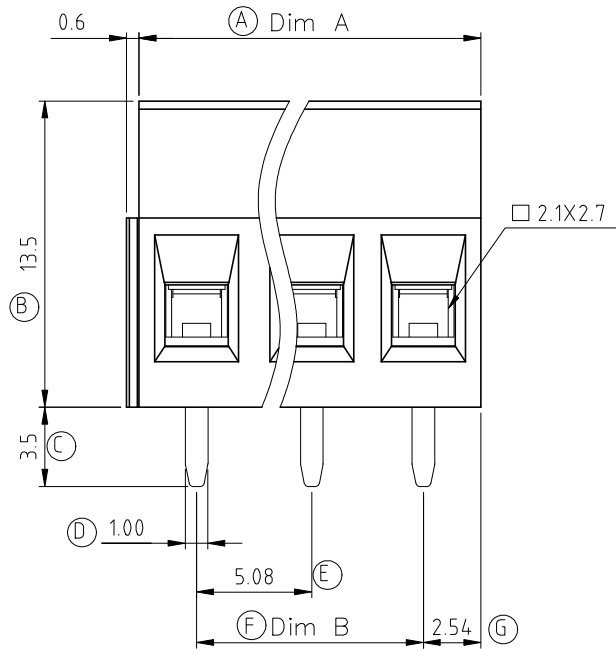


RoHS Compliant



P.C.B LAYOUT



N=Number of contacts

Poles	02	03	04	05	06	07	08	09	10	11	12	13
Dim A			20.32	25.40	30.48	35.56	40.64	45.72	50.80	55.88	60.96	66.04
Dim B			15.24	20.32	25.40	30.48	35.56	40.64	45.72	50.80	55.88	60.96
TOL	±0.10				±0.15				±0.20			
Poles	14	15	16	17	18	19	20	21	22	23	24	
Dim A	71.12	76.20	81.28	86.36	91.44	96.52	101.60	106.68	111.76	116.84	121.92	
Dim B	66.04	71.12	76.20	81.28	86.36	91.44	96.52	101.60	106.68	111.76	116.84	
TOL	±0.20		±0.25				±0.30					

SIGN	DATE	DESCRIPTION	APPROVER
	09/16/09	Poles is changed from 2p-24p to 4p-24p	Aaron
	09/16/09	Drawing NO. is changed from 8VI0137 to 8VI0302	Aaron
	07/27/20	Update the drawing frame	Rhine
	07/27/20	Add TUV certification	Rhine

THIS IS CAD DRAWING, DO NOT REVISE MANUALLY!!!

Material:

- Item 1 Terminal housing: Thermoplastic (UL 94V-0)
- Item 2 Clamp: Brass ,Ni plated
- Item 3 Wire guard solder pin: Brass ,Tin plated
- Item 4 Terminal screw: Steel Zinc plating"-slot type

Electrical cULus TUV

- Voltage rating: 300VAC 250VAC
- Current rating: 16A 17.5A
- Wire range: 0.2-1.5mm²
- Solid wire(AWG): 12-28
- Stranded wire(AWG): 12-28
- Torque: 3.5Lb-In. 0.5N.m
- Screw: M3
- Wire strip length: 6-7mm
- Withstanding Voltage: 1.6KV 2.0KV
- Operating temperature: -40°C to +115°C
- Wave soldering temperature: 260°C±5°C/5 Sec
- Safety Approval:

Critical dimension:

VI xx 21 x 5 xxxx G

	04 4 CONTACTS	0 Black (RAL9005)	0000:"@ "Logo (Standard)
	05 5 CONTACTS	2 Red (RAL3001/D)	000A:"ANYTEK"Logo
	...	3 Orange(RAL2011/P)	Any special item by customer request,
	24 24 CONTACTS	4 Yellow(RAL1018/A)	please contact sales department.
		5 Green(RAL6018/T)	
		6 Blue (RAL5015/A)	
		8 Grey(RAL7035/D)	

Pb < 40,000ppm (RoHS)

Amphenol ANYTEK				CUSTOMER COPY			
ALL RIGHTS RESERVED. REPRODUCTION OR ISSUE TO THIRD PARTIES IN ANY FORM WHATSOEVER IS NOT PERMITTED WITHOUT WRITTEN AUTHORITY FROM THE PROPRIETOR. PROPERTY OF ANYTEK TECHNOLOGY CO., LTD							
TITLE		VI 5.08 SERIES 4P-24P 180° wire inlet (without cover) Horizontal-solid block					
PART NO.		VIxx21x5xxxxG		DWG NO.		8VI0302	
APPROVED		CHECKED	DESIGNED	DRAWN	CUST NO.		Tolerance
			Rhine 2020.07.27	Rhine 2020.07.27			X. ±0.50
							X.X ±0.30
							X.XX ±0.10
							X° ±1°
						UNIT: mm	
						SCALE: NONE	
						SHEET: 01/01	REV: D