

SIGN	DATE	DESCRIPTION	APPROVER
△	11.01'05	Standard spec is changed.	Marivn
△	8/07'06	Added VDE and TUV standard	梁仁松
△	2010.03.12	Add the 2p mark	Jacke

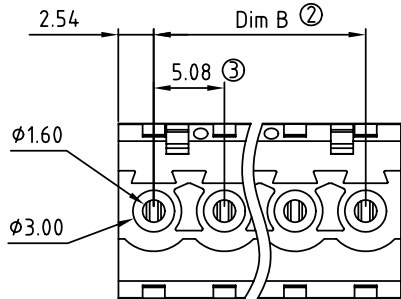
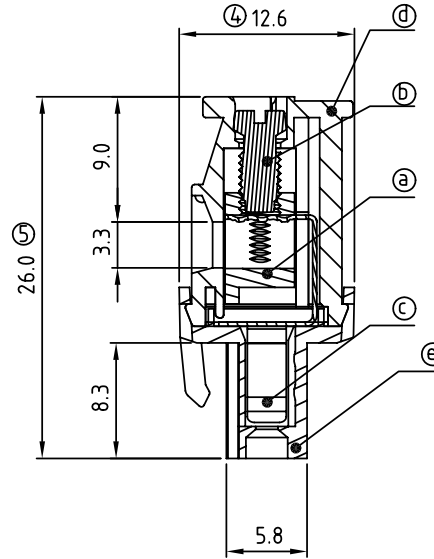
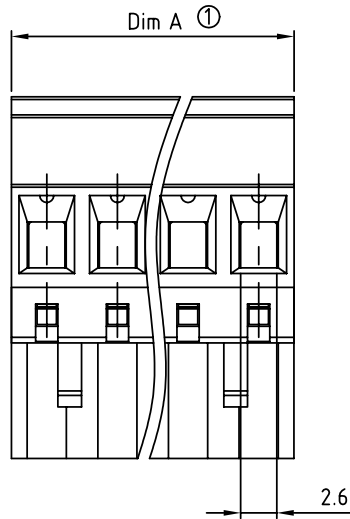
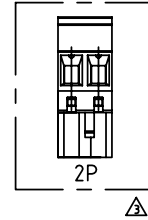
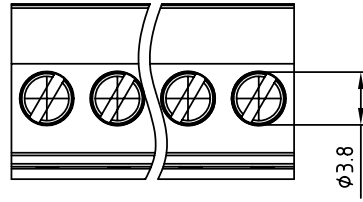
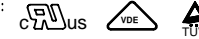
THIS IS CAD DRAWING, DO NOT REVISE MANUALLY!!!

Material

- Item a Clamp: Brass(CuZn) Ni plated
- Item b Terminal screw: Steel Zinc plating "-" slot type
- Item c Female contact: PhBz Tin plated
- Item d Terminal (housing): Thermoplastic (UL94V-0)
- Item e Terminal (cover): Thermoplastic (UL94V-0)

△△ Electrical cULus/VDE/TUV

- Voltage rating: 300VAC/300VAC/300VAC
- Current rating: 15A/17A/15A
- Wire range: 2.5mm²/0.34-2.5mm²
- Solid wire(AWG): 12-24
- Stranded wire(AWG): 12-24
- Torque: 3.5Lb-In./0.5Nm/0.4Nm
- Screw: M3
- Wire strip length: 6-7mm
- Withstanding Voltage: 1.6KV/2.5KV/2.5KV
- Operating temperature: -40°C to +115°C
- Safety approval:



N = Number of poles

Dim A = N x 5.08

Dim B = (N-1) x 5.08

	Dim A	Dim B
2-6p	±0.15	±0.15
7-12p	±0.25	±0.25
13-18p	±0.30	±0.30
19-24p	±0.40	±0.40

TS xx 51 x A xxxx G

	Color		
02 2 CONTACTS	0 Black (RAL9005)	0000: "@" Logo	RoHS
03 3 CONTACTS	2 Red (RAL3001/D)	000A: "ANYTEK" Mark	Pb<40,000ppm
...	3 Orange(RAL2011/P)	0091: "ANYTEK" Mark	
24 24 CONTACTS	4 Yellow(RAL1018/A)	Any special item by customer request.	
	5 Green(RAL6018/T)	please contact sales department.	
	6 Blue (RAL5015/A)		
	8 Grey(RAL7035/D)		

ANYTEK

CUSTOMER COPY

ALL RIGHTS RESERVED. REPRODUCTION OR ISSUE TO THIRD PARTIES IN ANY FORM WHATSOEVER IS NOT PERMITTED WITHOUT WRITTEN AUTHORITY FROM THE PROPRIETOR. PROPERTY OF ANYTEK TECHNOLOGY CO., LTD

TITLE		TS-5.08mm Series(W/latching hooks on the wire entry side)			
PART NO.	TSxx51xAxxxxG			DWG NO.	8TS0101
APPROVED	CHECKED	DESIGNED	DRAWN	CUST NO.	Tolerance
		Jacke 2010.03.13	Jacke 2010.03.13		X. ±0.50 X.X ±0.30 X.XX ±0.10 X° ±1°
				UNIT: mm SCALE: NONE SHEET: 01/01	REV.: F