

SIGN	DATE	DESCRIPTION	APPROVER
△	2009.09.07	The design is changed	Jacke
△	2009.09.07	The electrical is changed	Jacke
△	2010.03.31	Add the 2p mark	Jacke
△	2014.09.27	The current rating is changed from 20A to 10A	Evan

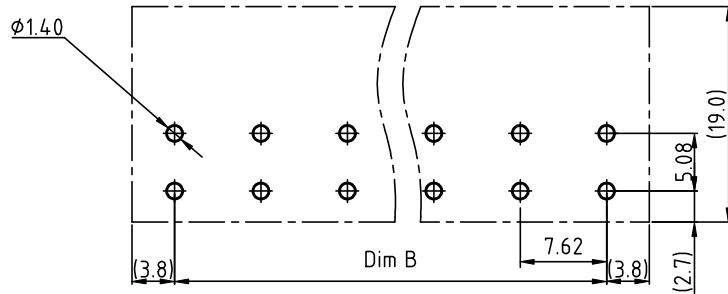
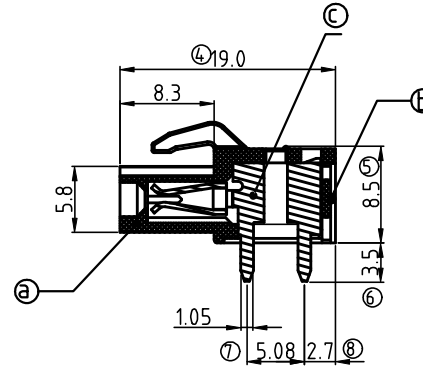
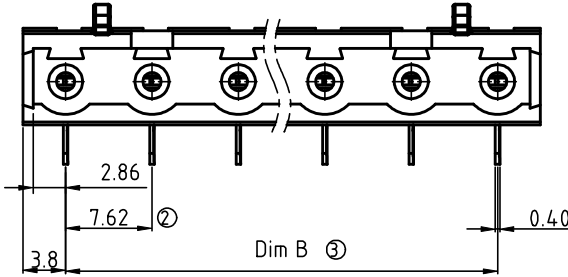
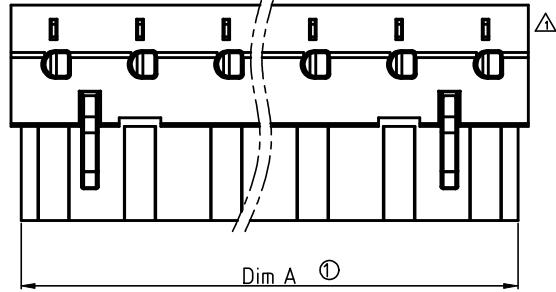
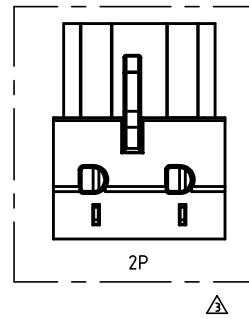
**THIS IS CAD DRAWING, DO NOT REVISE MANUALLY!!!**

**Materials**

- Item① Terminal body:Thermoplastic (UL94V-0)
- Item② Terminal Cover:Thermoplastic (UL94V-0)
- Item③ Female contact:PhBz(CuSn), Tin plated

**△ Electrical**

- Voltage rating: 300VAC
- Current rating: 10A
- Withstanding Voltage: 1.6kv
- Operating temperature: -40°C to +115°C
- Soldering temperature: 260°C±5°C/5 Sec
- Safety Approval: us



PCB LAYOUT

V7 xx 0 1 x 1 xxxx G

No. OF POLES  
02 2 plocs  
03 3 plocs  
...  
16 16 plocs

Color  
0 Black (RAL9005)  
2 Red (RAL3001/D)  
3 Orange(RAL2011/P)  
4 Yellow(RAL1018/A)  
5 Green(RAL6018/T)  
6 Blue (RAL5015/A)  
8 Grey(RAL7035/D)  
9 White(RAL1102)  
C Green(RAL6018/U)

G RoHS compliant (lead<4%) In copper Alloy  
0000: "@" Logo (Standard)  
000A: "ANYTEK" Mark  
Any special item by customer request. please contact sales department.

POLE	2	3	4	5	6	7	8	9	10	11	12	13	14	15	16
B	7.62	15.24	22.86	30.48	38.1	45.72	53.34	60.96	68.58	76.2	83.82	91.44	99.06	106.68	114.3
A	13.34	20.96	28.58	36.2	43.82	51.44	59.06	66.68	74.3	81.92	89.54	97.16	104.78	112.4	120.02
Tol.	±0.15					±0.20					±0.30				

**ANYTEK**

**INSPECTION COPY**

ALL RIGHTS RESERVED. REPRODUCTION OR ISSUE TO THIRD PARTIES IN ANY FORM WHATSOEVER IS NOT PERMITTED WITHOUT WRITTEN AUTHORITY FROM THE PROPRIETOR. PROPERTY OF ANYTEK TECHNOLOGY CO., LTD

TITLE		V7 7.62 W/O flange Series Right-angle (2P~16P)			
PART NO.		V7xx01x1xxxxG		DWG NO. 8V70502	
APPROVED	CHECKED	DESIGNED	DRAWN	CUST NO.	
		Evan	Evan		
		2014.09.27	2014.09.27		
				UNIT: mm	
				SCALE: 1/4	
				Tolerance	
				X. ±0.5	
				X.X ±0.3	
				X.XX ±0.1	
				X° ±1°	
				SHEET: 01/01	
				REV.: E	