

Customer Information Sheet

DRAWING No.: M80-5T11205MI-04-331-00-000

SHEET 2 OF 2

IF IN DOUBT - ASK

©

NOT TO SCALE

THIRD ANGLE PROJECTION

ALL DIMENSIONS IN mm

SPECIFICATIONS:

MATERIAL:
 Moulding: GLASS FILLED PPS, UL94V-0, BLACK
 Signal Contact: PHOSPHOR BRONZE
 Power Contact: COPPER ALLOY
 Jackscrew: STAINLESS STEEL

FINISH:
 Signal Contact:
 75µ GOLD
 Power Contact: GOLD

ELECTRICAL:
 Working Voltage = 120V AC/DC
 Voltage Proof = 360V AC/DC
 Insulation Resistance = 100MΩ MIN

SIGNAL CONTACT:
 Current Rating at 25°C = 3.0A MAX
 Current Rating at 85°C = 2.2A MAX
 Contact Resistance = 25 mΩ MAX

POWER CONTACT:
 Contact Resistance 6 mΩ MAX
 Current Rating = 20A MAX

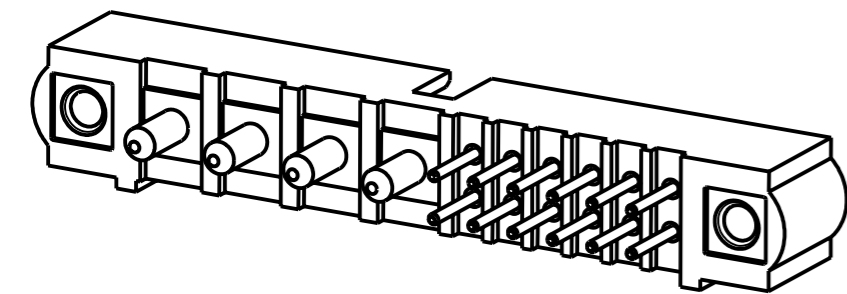
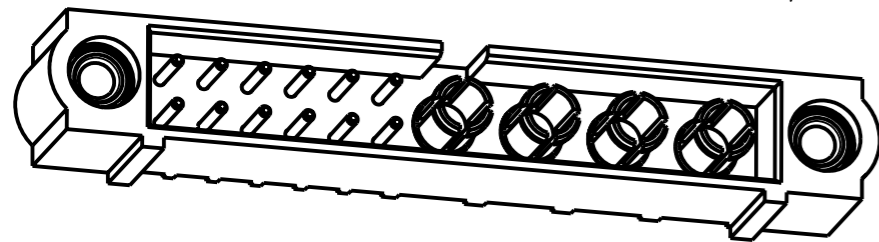
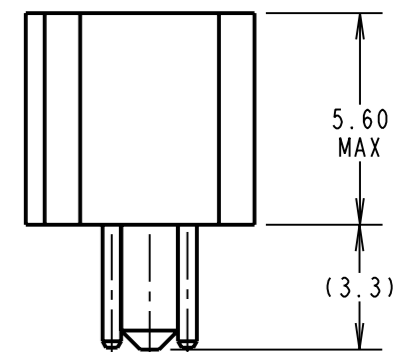
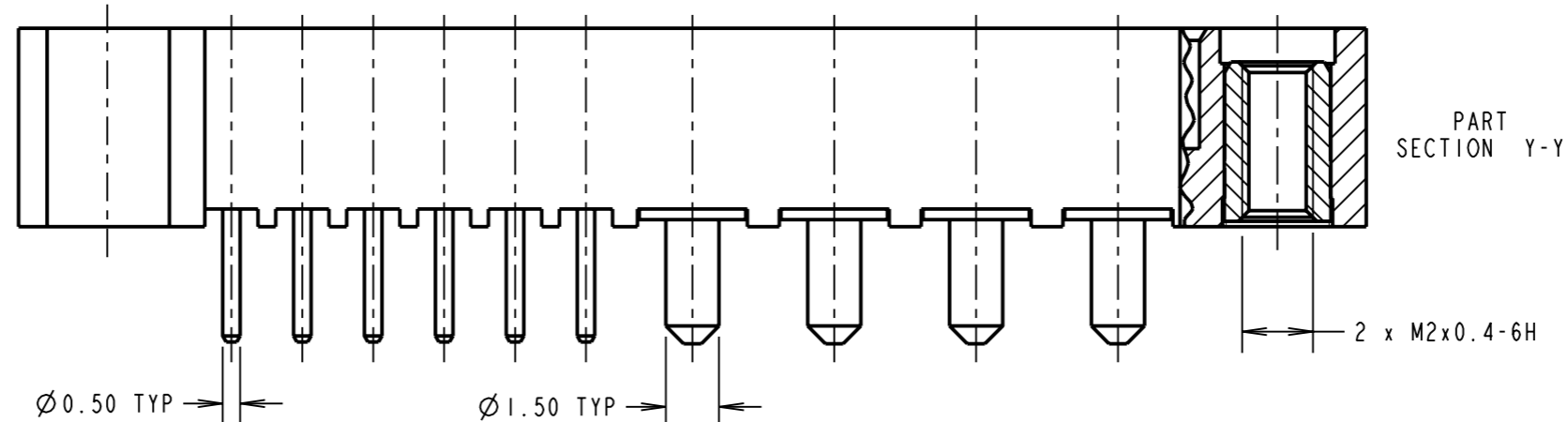
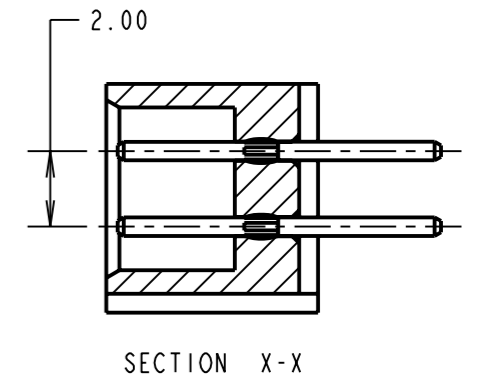
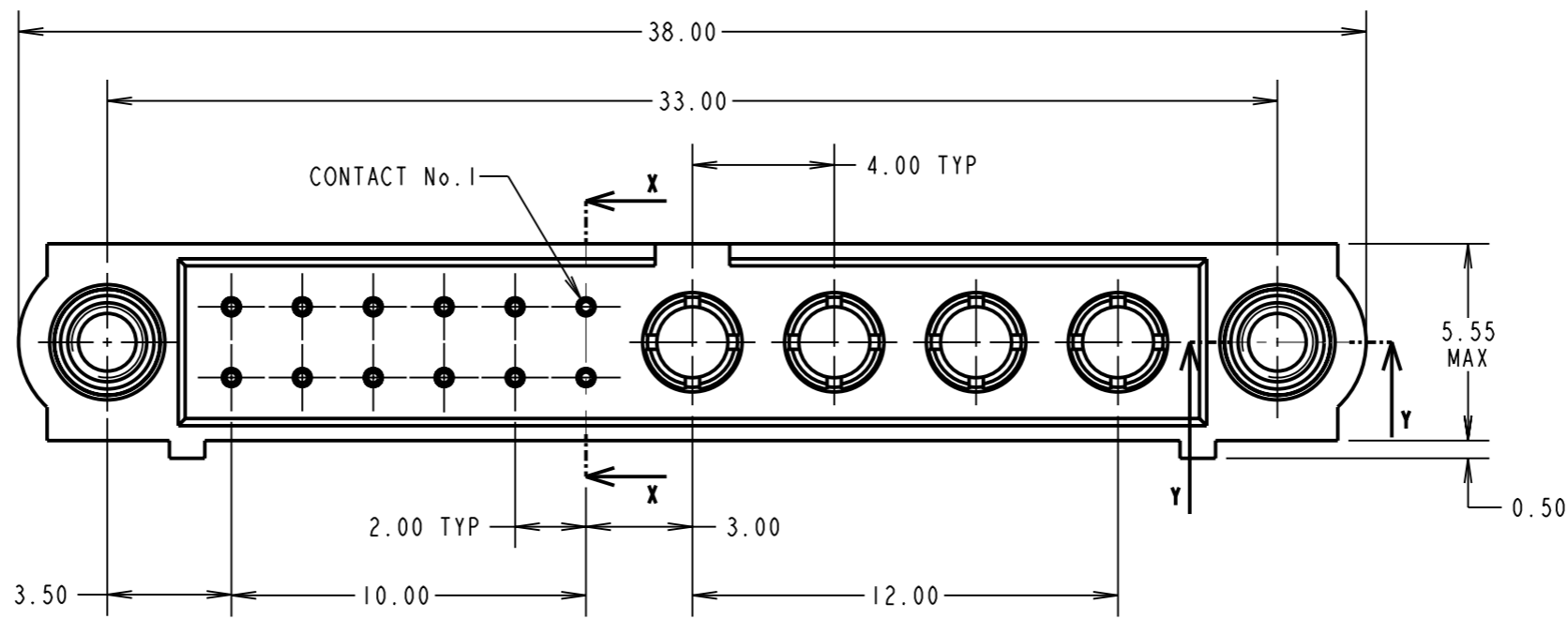
MECHANICAL:
 Durability = 500 OPERATIONS

SIGNAL CONTACT:
 Insertion Force = 2.8N MAX
 Withdrawal Force = 0.2N MIN

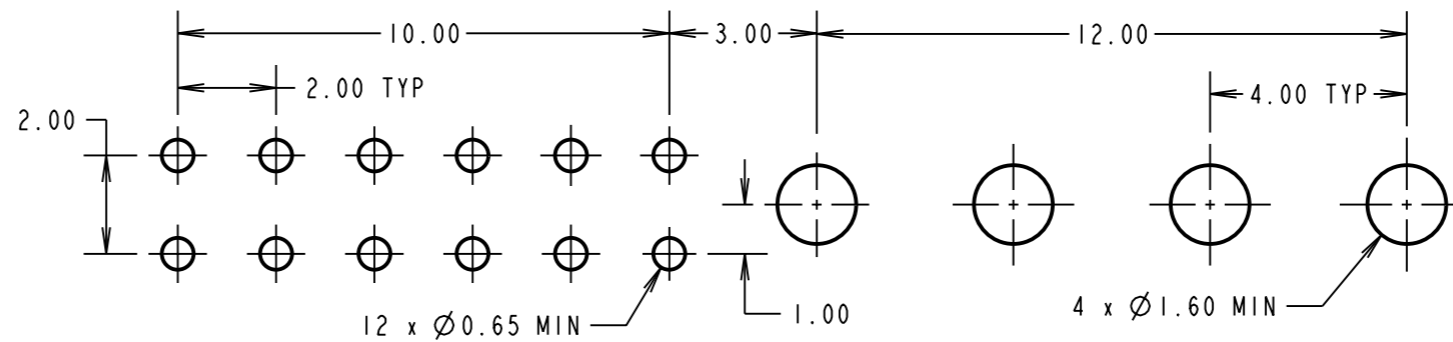
POWER CONTACT:
 Insertion Force = 5N MAX
 Withdrawal Force = 0.5N MIN

ENVIRONMENTAL:
 Temperature Range = -55°C TO +125°C

PACKING:
 TUBE
 FOR COMPLETE SPECIFICATION SEE COMPONENT SPECIFICATION C005XX (LATEST ISSUE)



RECOMMENDED PCB LAYOUT



RA	A	09.04.09	----
NAME	ISS.	DATE	C/NOTE
APPROVED:		R.ADDE	
CHECKED:		M.G.PLESTED	
DRAWN:		R.ADDE	
CUSTOMER REF.:			
ASSEMBLY DRG:			

HARWIN			THIS DRAWING AND ANY INFORMATION OR DESCRIPTIVE MATTER SET OUT HEREON ARE CONFIDENTIAL AND COPYRIGHT PROPERTY OF THE HARWIN GROUP AND MUST NOT BE DISCLOSED, LOANED, COPIED OR USED FOR MANUFACTURING, TENDERING OR FOR ANY OTHER PURPOSE WITHOUT THEIR WRITTEN PERMISSION.	TOLERANCES X. = ±1mm X.X = ±0.25mm X.XX = ±0.10mm X.XXX = ±0.01mm ANGLES = ±5° UNLESS STATED	MATERIAL: SEE ABOVE FINISH: SEE ABOVE S/AREA: mm ²	TITLE: JACKSCREW DATAMATE MIXED TECHNOLOGY VERTICAL PC TAIL MALE ASSEMBLY DRAWING NUMBER: M80-5T11205MI-04-331-00-000	SHT 2 OF 2
HARWIN USA TEL: 603 893 5376 FAX: 603 893 5396 mis@harwin.com	HARWIN Europe (UK) TEL: 023 9231 4545 FAX: 023 9231 4590 mis@harwin.co.uk	HARWIN Asia TEL: +65 6 779 4909 FAX: +65 6 779 3868 mis@harwin.com.sg					