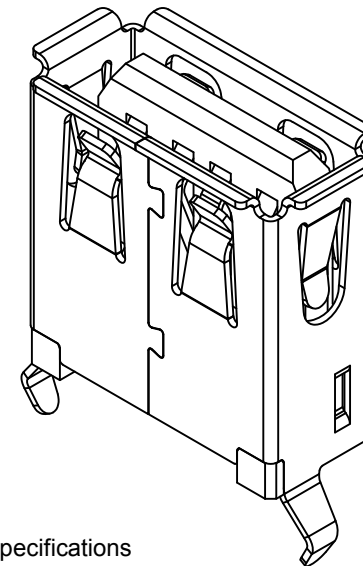


**Recommended P.C.B Layout**

Thickness: 1.6mm General Tolerance:  $\pm 0.05$   
as viewed from component side

▨ Solder Area □ Component Outline



**Specifications**

**Material**

Plastic Housing: LCP, UL94V-0, Black  
Contact Terminal: Brass  
Metallic Shell: Brass

**Plating**

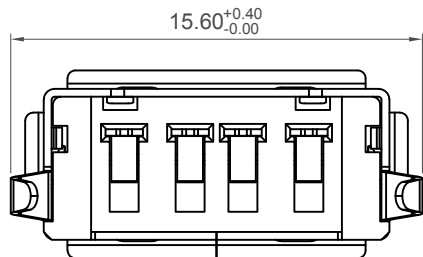
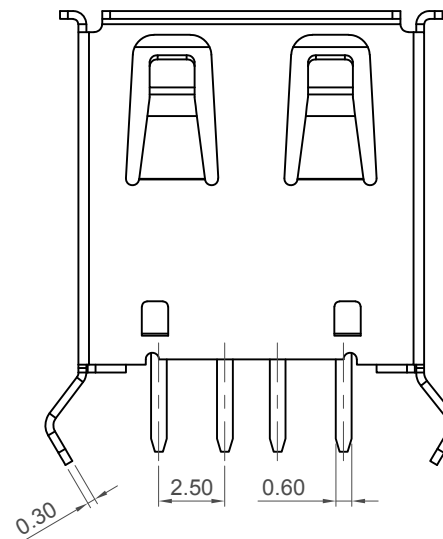
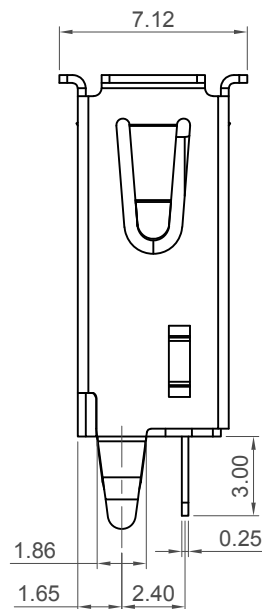
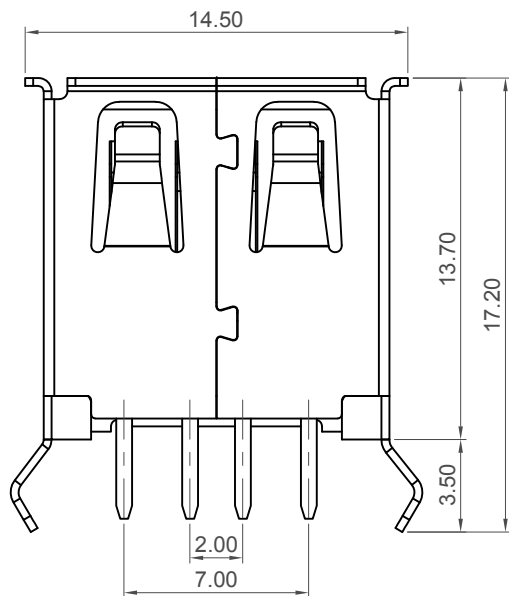
Underplating: Nickel all over  
Contact Area: Gold Flash or 15µ" Gold  
Solder Tails: Tin  
Metallic Shell: Nickel

**Electrical:**

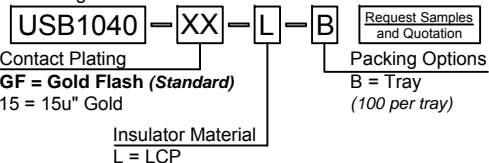
Voltage Rating: 30V  
Current Rating: 1.5A  
Operating Temperature: -40°C to +85°C  
Contact Resistance: 30 mΩ max.  
Insulating Resistance: 1000 MΩ min.  
Dielectric Withstand Voltage: 500V AC

**Mechanical & Environmental**

Mating Force: 35N (3.57Kgf) max.  
Unmating Force: 10N (1.02Kgf) min.  
Durability: 1,500 Cycles



**Ordering Grid**



Part Number		Product Description	
USB1040		USB Receptacle, Type A, 4 Pin, Through Hole, Vertical, With Kinked Shell Stakes	
Drawing Date		14th February 2011	
By	CC	Tolerances (Except as Noted)	Units:
Detail	USB1040	Length	Metric (mm)
Revision	C PCN	Angle	
Date	C2	X.X ± 0.35	X.° ± 3.0°
	17/01/20	X.XX ± 0.25	X.X° ± 1.5°

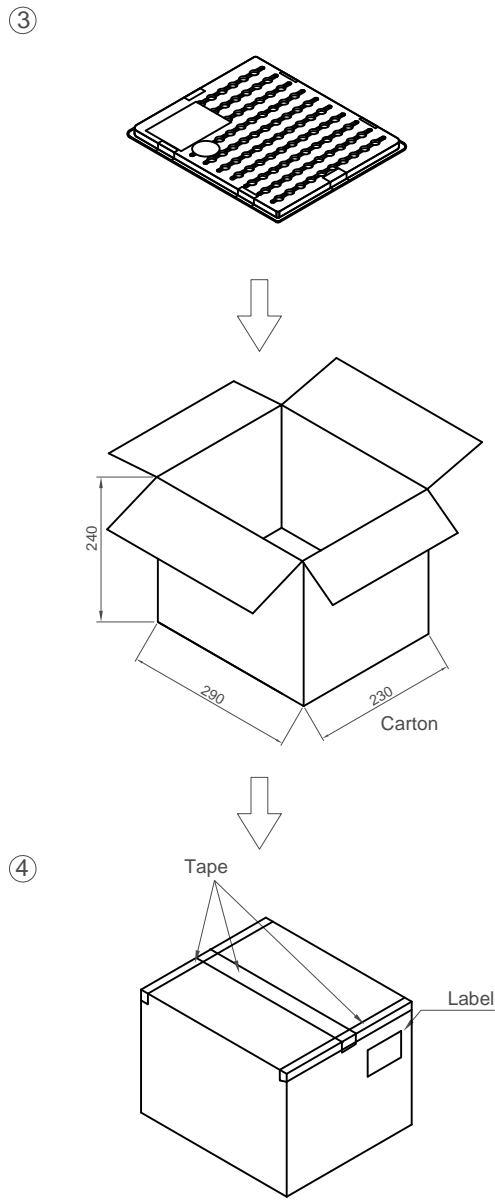
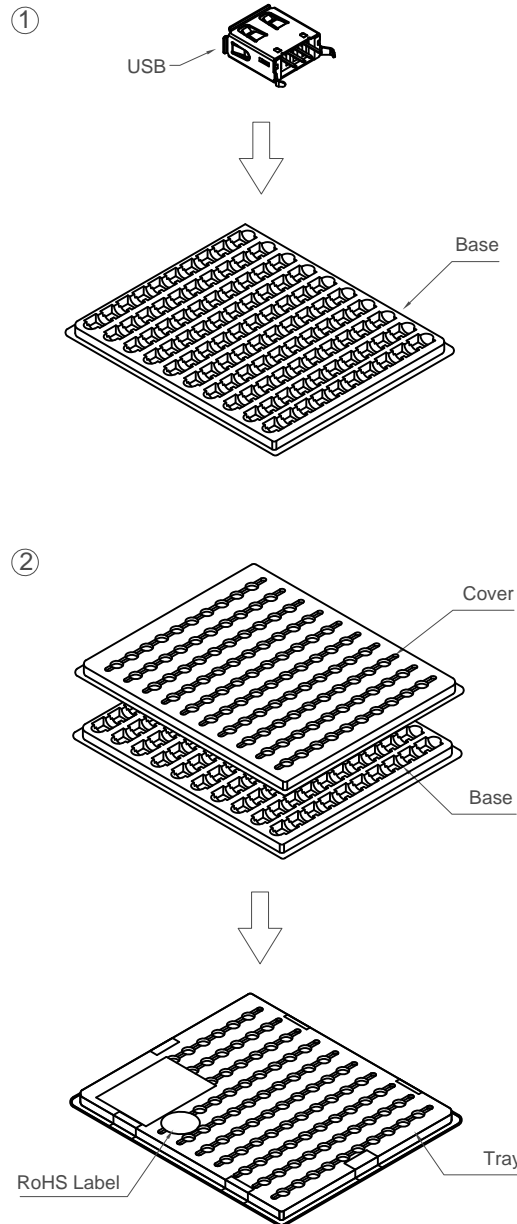


This drawing is confidential and copyright of Global Connector Technology, Ltd (GCT). This drawing must not be copied or disclosed without written consent. E & OE



Not to Scale	Drawn By SA	Sheet No. 1/2
--------------	-------------	---------------

H  
G  
F  
E  
D  
C  
B  
A



**Packing Rules :**

- 1.USB's placed into the tray base.
- 2.Tray cover and base taped together to keep USB's in place.
- 3.25 trays put into carton.
- 4.Boxed taped and label stuck on the outer carton.

Products P/N	PCS/Tray	Trays/Carton	PCS/Carton
USB1040	100	25	2500

Part Number		Product Description	
USB1040		USB Receptacle, Type A, 4 Pin, Through Hole, Vertical, With Kinked Shell Stakes	
Drawing Date		14th February 2011	
By	CC	Tolerances (Except as Noted)	Units:
Detail	USB1040	Length	Metric (mm)
Revision	C PCN	Angle	
Date	17/01/20		



This drawing is confidential and copyright of Global Connector Technology, Ltd (GCT). This drawing must not be copied or disclosed without written consent. E & OE



Not to Scale	Drawn By SA	Sheet No. 1/2
--------------	-------------	---------------

1 2 3 4 5 6 7 8