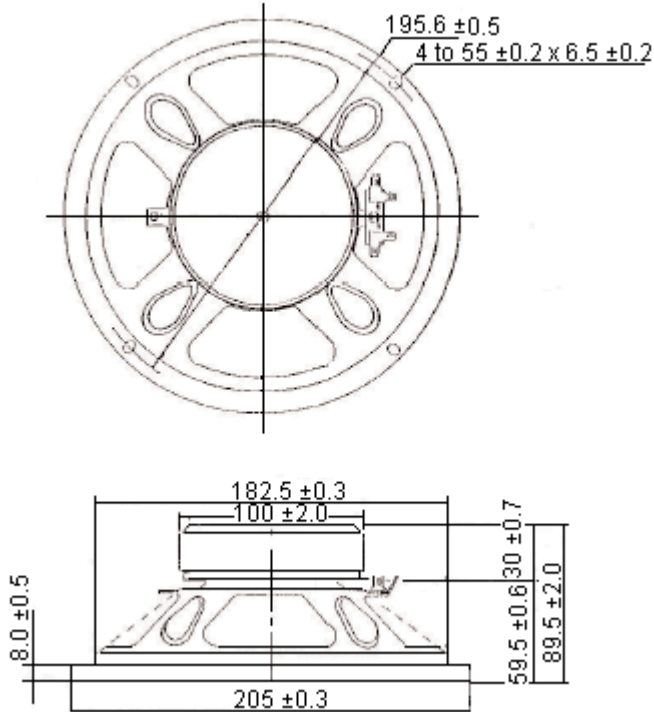


PART NO.

LS00434

REVISIONS

ECN #	REV	DESCRIPTION	DRAWN	DATE	CHECKD	DATE	APPRVD	DATE
-	A	RELEASED	Naveen	28/04/09	Suresh	28/04/09	Farnell	12/05/09



Dimensions : Millimetres

Specifications:

- Entered driver DC resistance (Re) : 6.80 ohms.
- Entered driver resonance frequency (Fs) : 31.00 hertz.
- Entered driver maximum impedance at Fs : 23.60 ohms.
- Entered driver F1 frequency : 19.00 hertz at 12.70 ohms.
- Entered driver F2 frequency : 49.00 hertz at 12.70 ohms.
- Calculated square root of F1 x F2 : 30.50 hertz.

This data sheet and its contents (the "Information") belong to the Premier Farnell Group (the "Group") or are licensed to it. No licence is granted for the use of it other than for information purposes in connection with the products to which it relates. No licence of any intellectual property rights is granted. The Information is subject to change without notice and replaces all data sheets previously supplied. The Information supplied is believed to be accurate but the Group assumes no responsibility for its accuracy or completeness, any error in or omission from it or for any use made of it. Users of this data sheet should check for themselves the Information and the suitability of the products for their purpose and not make any assumptions based on information included or omitted. Liability for loss or damage resulting from any reliance on the Information or use of it (including liability resulting from negligence or where the Group was aware of the possibility of such loss or damage arising) is excluded. This will not operate to limit or restrict the Group's liability for death or personal injury resulting from its negligence. SPC pro-SIGNAL is the registered trademark of the Group. © Premier Farnell plc 2009.

TOLERANCES:

UNLESS OTHERWISE SPECIFIED, DIMENSIONS ARE FOR REFERENCE PURPOSES ONLY.

DRAWN BY:	DATE:
Naveen	28/04/09
CHECKED BY:	DATE:
Suresh	28/04/09
APPROVED BY:	DATE:
Farnell	12/05/09

DRAWING TITLE:

Woofer - Poly/Rubber

SIZE A	DWG NO.	ELECTRONIC FILE 48676_DWG	REV A
SCALE: NTS		U.O.M.: mm	SHEET: 1 OF 3



PART NO.

LS00434

REVISIONS

ECN #	REV	DESCRIPTION	DRAWN	DATE	CHECKD	DATE	APPRVD	DATE
-	A	RELEASED	Naveen	28/04/09	Suresh	28/04/09	Farnell	12/05/09

Specifications:

Calculated error factor : 1.60 percent.
 Compliance calculated by ADDED MASS METHOD
 Entered added mass : 10.00 grams.
 Entered driver new resonance frequency : 26.00 hertz.
 Entered driver piston diameter : 165.00mm.
 Entered driver magnet gap depth : 5.00mm.
 Entered driver voice coil length : 12.60mm.

Calculated Thiele/Small Parameters:

Free air Resonance (FS) = SQR (F1 x F2) : 30.50 hertz.
 Qts : 0.5457.
 Qes : 0.7666.
 Qms : 1.89.
 Equivalent acoustic compliance (Vas) : 65.76 litres.
 Piston area (SD) : 0.0214 square meters.
 DC resistance (Re) : 6.80 ohms.
 Volume displacement (Vd) : 81.25ccm.
 Linear displacement (X maximum) : 3.80mm.
 Reference efficiency (Ref Eff) : 0.23 percent.
 Efficiency bandwidth product (EBP) : 39.79 hertz.

Other Calculated Data:

Moving mass of diaphragm only (Mmd) : 24.81 grams.
 Moving mass of diaphragm and air load (Mms) : 26.59 grams.
 Mass of Air load on diaphragm (Ma) : 1.77 grams.
 Compliance (Cms) : 0.00103m/N.
 BL product (BL) : 6.72N/A.
 Sensitivity (SPL 1W/1m) : 85.69dB.

This data sheet and its contents (the "Information") belong to the Premier Farnell Group (the "Group") or are licensed to it. No licence is granted for the use of it other than for information purposes in connection with the products to which it relates. No licence of any intellectual property rights is granted. The Information is subject to change without notice and replaces all data sheets previously supplied. The Information supplied is believed to be accurate but the Group assumes no responsibility for its accuracy or completeness, any error in or omission from it or for any use made of it. Users of this data sheet should check for themselves the Information and the suitability of the products for their purpose and not make any assumptions based on information included or omitted. Liability for loss or damage resulting from any reliance on the Information or use of it (including liability resulting from negligence or where the Group was aware of the possibility of such loss or damage arising) is excluded. This will not operate to limit or restrict the Group's liability for death or personal injury resulting from its negligence. SPC pro-SIGNAL is the registered trademark of the Group. © Premier Farnell plc 2009.

TOLERANCES:

UNLESS OTHERWISE SPECIFIED, DIMENSIONS ARE FOR REFERENCE PURPOSES ONLY.

DRAWN BY:	DATE:
Naveen	28/04/09
CHECKED BY:	DATE:
Suresh	28/04/09
APPROVED BY:	DATE:
Farnell	12/05/09

DRAWING TITLE:

Woofer - Poly/Rubber

SIZE A	DWG NO.	ELECTRONIC FILE 48676_DWG	REV A
SCALE: NTS		U.O.M.: mm	SHEET: 2 OF 3

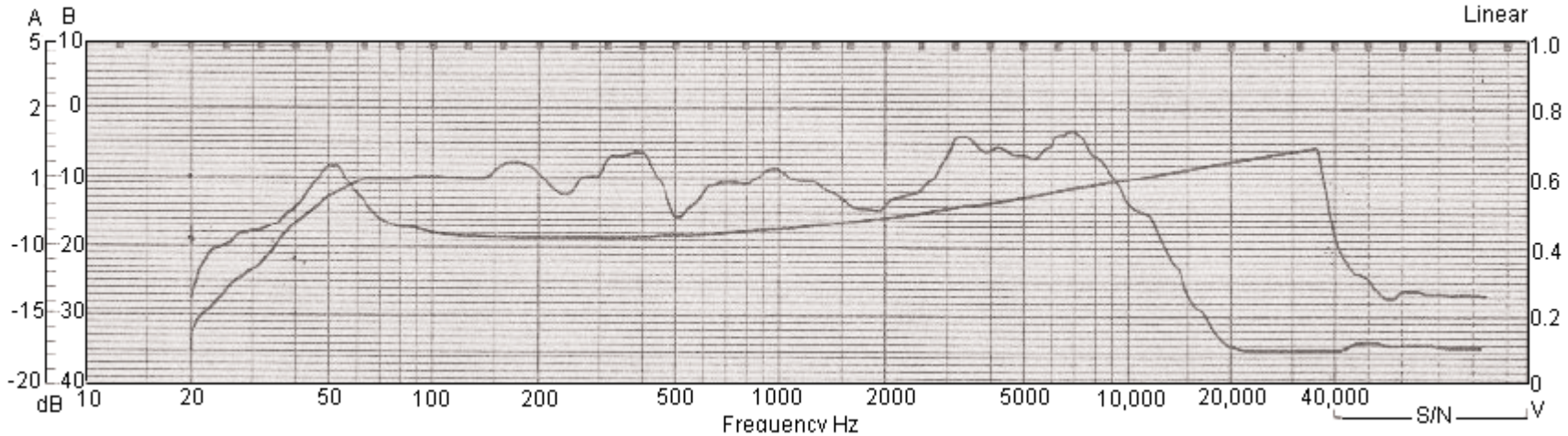


PART NO.

LS00434

REVISIONS

ECN #	REV	DESCRIPTION	DRAWN	DATE	CHECKD	DATE	APPRVD	DATE
-	A	RELEASED	Naveen	28/04/09	Suresh	28/04/09	Farnell	12/05/09



Span range : 50dB
 Reference OdB level : 100dB.
 Writing speed : 0.2 seconds.
 Paper speed : 10mm/seconds.

Part Number Table

Description	Part Number
Woofer, Poly/Rubber, 8 Ohm, 8 Inches	LS00434

<http://www.farnell.com>
<http://www.newark.com>
<http://www.cpc.co.uk>

This data sheet and its contents (the "Information") belong to the Premier Farnell Group (the "Group") or are licensed to it. No licence is granted for the use of it other than for information purposes in connection with the products to which it relates. No licence of any intellectual property rights is granted. The Information is subject to change without notice and replaces all data sheets previously supplied. The Information supplied is believed to be accurate but the Group assumes no responsibility for its accuracy or completeness, any error in or omission from it or for any use made of it. Users of this data sheet should check for themselves the Information and the suitability of the products for their purpose and not make any assumptions based on information included or omitted. Liability for loss or damage resulting from any reliance on the Information or use of it (including liability resulting from negligence or where the Group was aware of the possibility of such loss or damage arising) is excluded. This will not operate to limit or restrict the Group's liability for death or personal injury resulting from its negligence. SPC pro-SIGNAL is the registered trademark of the Group. © Premier Farnell plc 2009.

**TOLERANCES:
 UNLESS OTHERWISE SPECIFIED,
 DIMENSIONS ARE FOR REFERENCE PURPOSES ONLY.**

DRAWN BY:	DATE:
Naveen	28/04/09
CHECKED BY:	DATE:
Suresh	28/04/09
APPROVED BY:	DATE:
Farnell	12/05/09

DRAWING TITLE:

Woofer - Poly/Rubber

SIZE A	DWG NO.	ELECTRONIC FILE 48676_DWG	REV A
SCALE: NTS	U.O.M.: mm	SHEET: 3 OF 3	