

# Customer Information Sheet

DRAWING No.: M80-5000000M1-02-331-00-000

SHEET 2 OF 2

IF IN DOUBT - ASK

©

NOT TO SCALE

THIRD ANGLE PROJECTION

ALL DIMENSIONS IN mm

## SPECIFICATIONS:

### MATERIAL:

MOULDING: GLASS FILLED PPS, UL94V-0, BLACK  
POWER CONTACT: BRASS  
JACKSCREW: STAINLESS STEEL

### FINISH:

POWER CONTACT: GOLD

### ELECTRICAL:

WORKING VOLTAGE = 120V AC/DC  
VOLTAGE PROOF = 360V AC/DC  
INSULATION RESISTANCE = 100MΩ MIN

### POWER CONTACT:

CONTACT RESISTANCE 6 mΩ MAX  
CURRENT RATING = 20A MAX

### MECHANICAL:

DURABILITY = 500 OPERATIONS

### POWER CONTACT:

INSERTION FORCE = 5N MAX  
WITHDRAWAL FORCE = 0.5N MIN

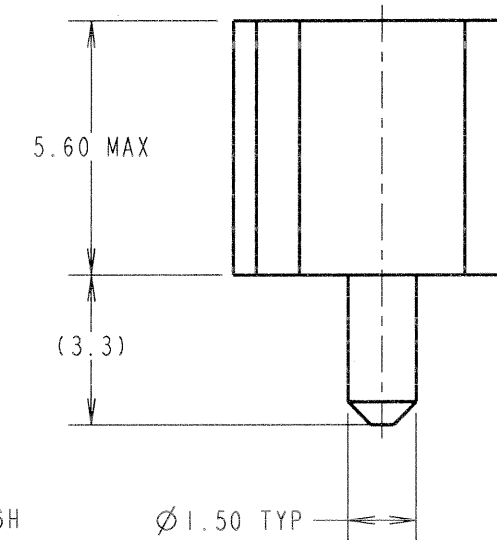
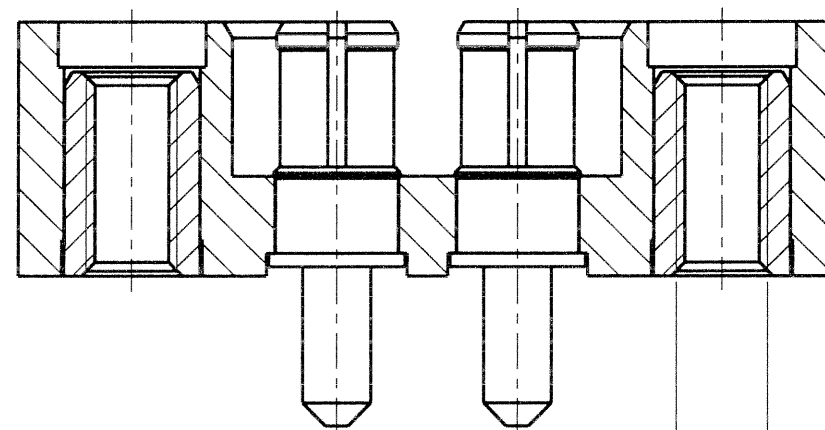
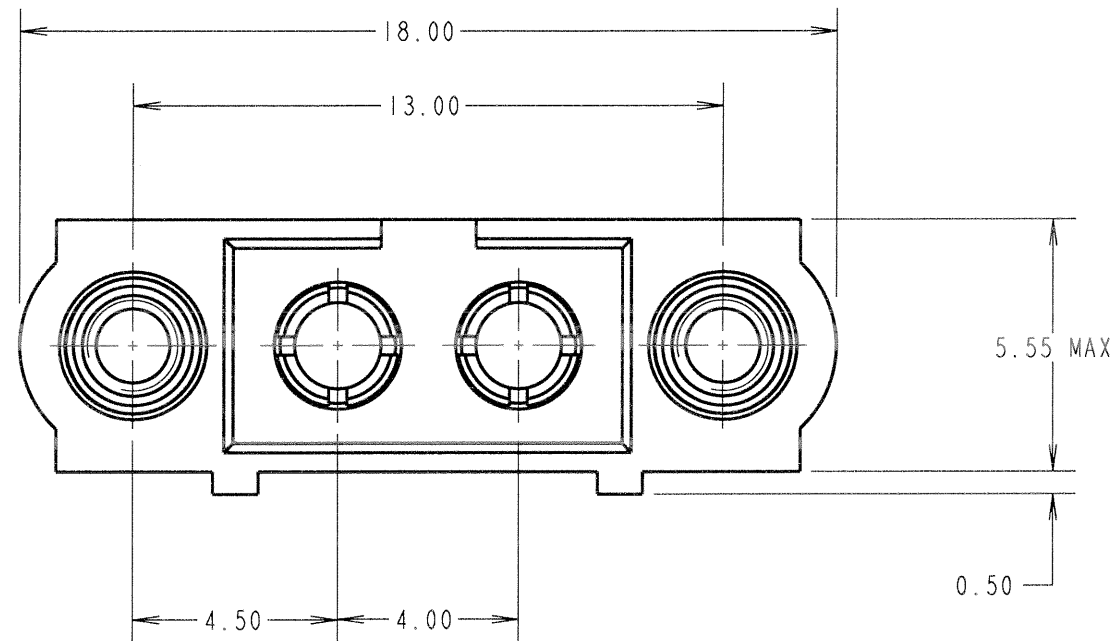
### ENVIRONMENTAL:

TEMPERATURE RANGE = -55°C TO +125°C

### PACKING:

TRAY

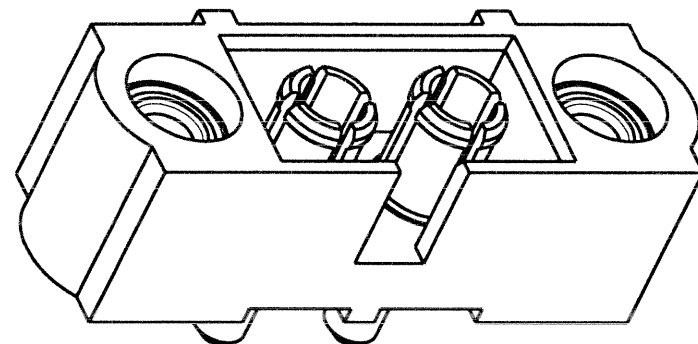
FOR COMPLETE SPECIFICATION SEE COMPONENT SPECIFICATION C005XX (LATEST ISSUE)



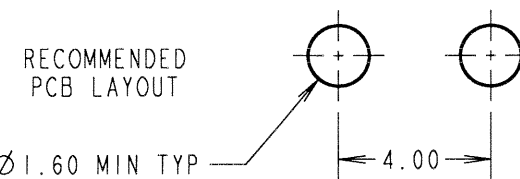
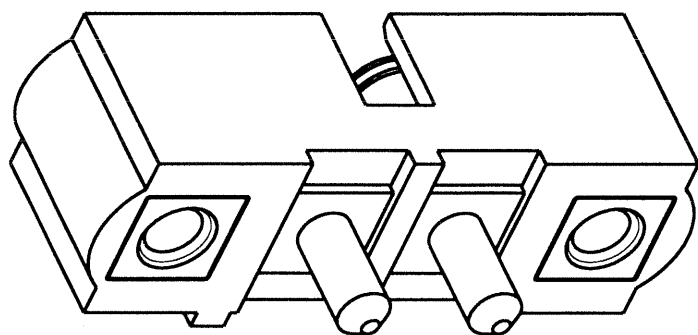
SECTION A-A

2x M2x0.4-6H

Ø1.50 TYP



SCALE 5



RECOMMENDED PCB LAYOUT

Ø1.60 MIN TYP

4.00

JMB	A	13.06.06	----
NAME	ISS.	DATE	C/NOTE
APPROVED: <i>[Signature]</i>			
CHECKED: <i>[Signature]</i>			
DRAWN: J.M.BROOKES			
CUSTOMER REF.:			
ASSEMBLY DRG:			

<b>HARWIN</b>			<p>THIS DRAWING AND ANY INFORMATION OR DESCRIPTIVE MATTER SET OUT HEREON ARE CONFIDENTIAL AND COPYRIGHT PROPERTY OF THE HARWIN GROUP AND MUST NOT BE DISCLOSED, LOANED, COPIED OR USED FOR MANUFACTURING, TENDERING OR FOR ANY OTHER PURPOSE WITHOUT THEIR WRITTEN PERMISSION.</p>	<p>TOLERANCES X. = ±1mm X.X = ±0.25mm X.XX = ±0.10mm X.XXX = ±0.01mm ANGLES = ±5° UNLESS STATED</p>	<p>MATERIAL: SEE ABOVE</p>	<p>FINISH: SEE ABOVE</p>	<p>S/AREA: mm<sup>2</sup></p>	<p>TITLE: JACKSCREW DATAMATE MIXED TECHNOLOGY HORIZONTAL PC TAIL MALE ASSEMBLY</p>	
<p>HARWIN INC U.S.A. TEL: (812) 542 2540 FAX: (812) 542 2541</p>	<p>HARWIN PLC U.K. TEL: 023 9231 4545 FAX: 023 9231 4590</p>	<p>HARWIN PTE SINGAPORE TEL: 65 6779 4909 FAX: 65 6779 3868</p>						<p>DRAWING NUMBER: <b>M80-5000000M1-02-331-00-000</b></p>	<p>SHT 2 OF 2</p>