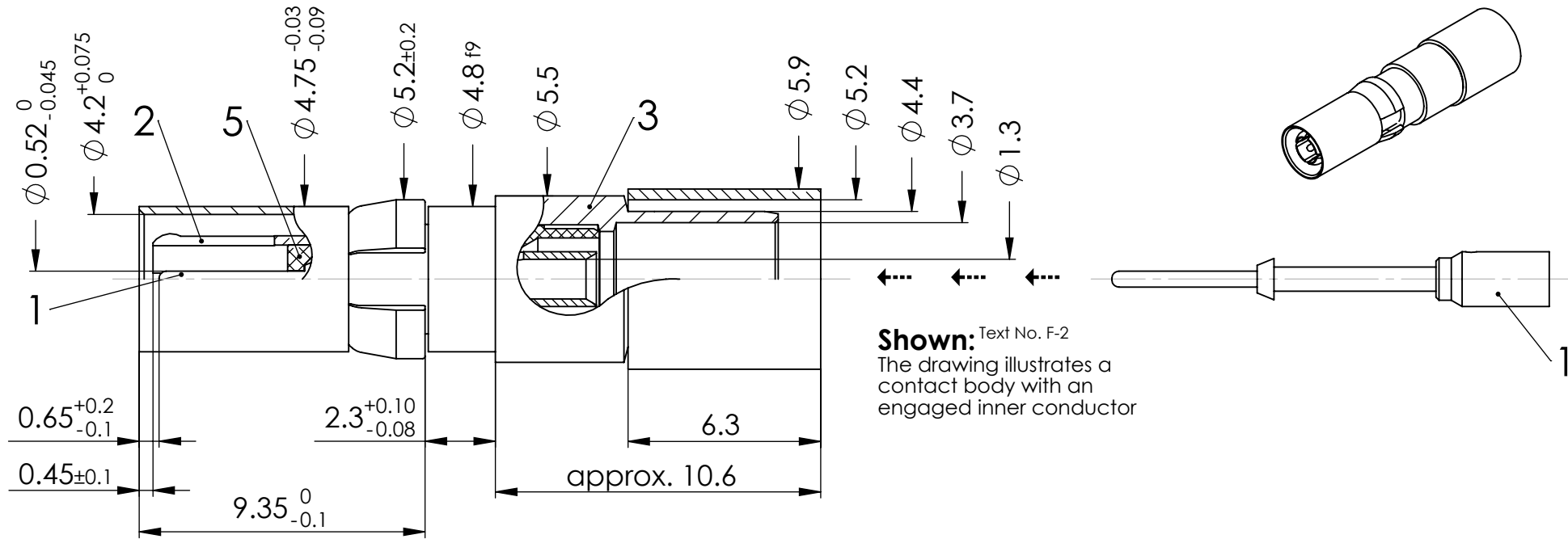
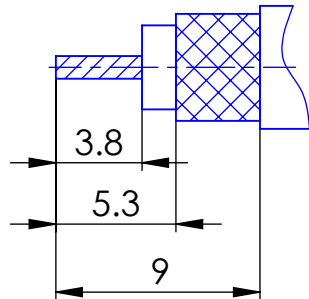


COMMENT:  
 ALL RIGHTS ARE RESERVED BY US FOR THIS DRAWING. WITHOUT OUR PRIOR CONSENT,  
 IT MAY NEITHER BE DUPLICATED NOR MADE AVAILABLE TO A THIRD PARTY,  
 AND IT ALSO MAY NOT BE IMPROPERLY USED BY THE RECEIVER, OR A THIRD PARTY.



(Block No. C-7)  
 Cable trimming  
 dimensions



RoHS compliant  
 by exemption

**Crimpingtools** on supplement AM0660

MATERIAL-NO.	Plating Spec.
1731120419	102

<b>SYMBOLS</b> $\nabla_{FA} = 0$ $\nabla_{FE} = 0$ $\nabla_{FP} = 0$ $\nabla_S = 0$ $\nabla_{\blacktriangledown} = 0$ $\nabla_C = 0$ $\boxtimes = 0$ $\blacksquare = 0$ $\nabla_{\ominus} = 0$	THIS DRAWING CONTAINS INFORMATION THAT IS PROPRIETARY TO MOLEX ELECTRONIC TECHNOLOGIES, LLC AND SHOULD NOT BE USED WITHOUT WRITTEN PERMISSION				<h1 style="margin: 0;">molex</h1>	
	DIMENSION UNITS	SCALE	FOR	CABLE		<b>FCT Coaxial Contact</b>
	mm	5:1	EN 60603-2	RG58CU, RG141AU	<b>PRODUCT CUSTOMER DRAWING</b>	
UNLESS OTHERWISE SPECIFIED DIMENSIONS FOR REFERENCE ONLY	CURRENT REVISION				<b>see table</b>	
	DRWN: DRAWN BY	FVetter	01-08-2019			
	APPR: APPR BY	MTeubel	02-09-2019			
MATERIAL + FINISH SEE EXTRA SHEET	INITIAL REVISION				<b>4</b>	
4	24160	DRWN: DRAWN BY	ffuhrmann	20-10-2006	<b>see table</b>	
REV.	CH.-NO.	APPR: APPR BY	msteinbrueck	23-11-2006		
REPLACEMENT FOR:	THIRD ANGLE PROJECTION	DRAWING	IMPEDANCE	DOCUMENT NUMBER	CUSTOMER	SHEET NUMBER
		A4-SIZE	50 Ohm	FDS005S	GENERAL MARKET	1 OF 1