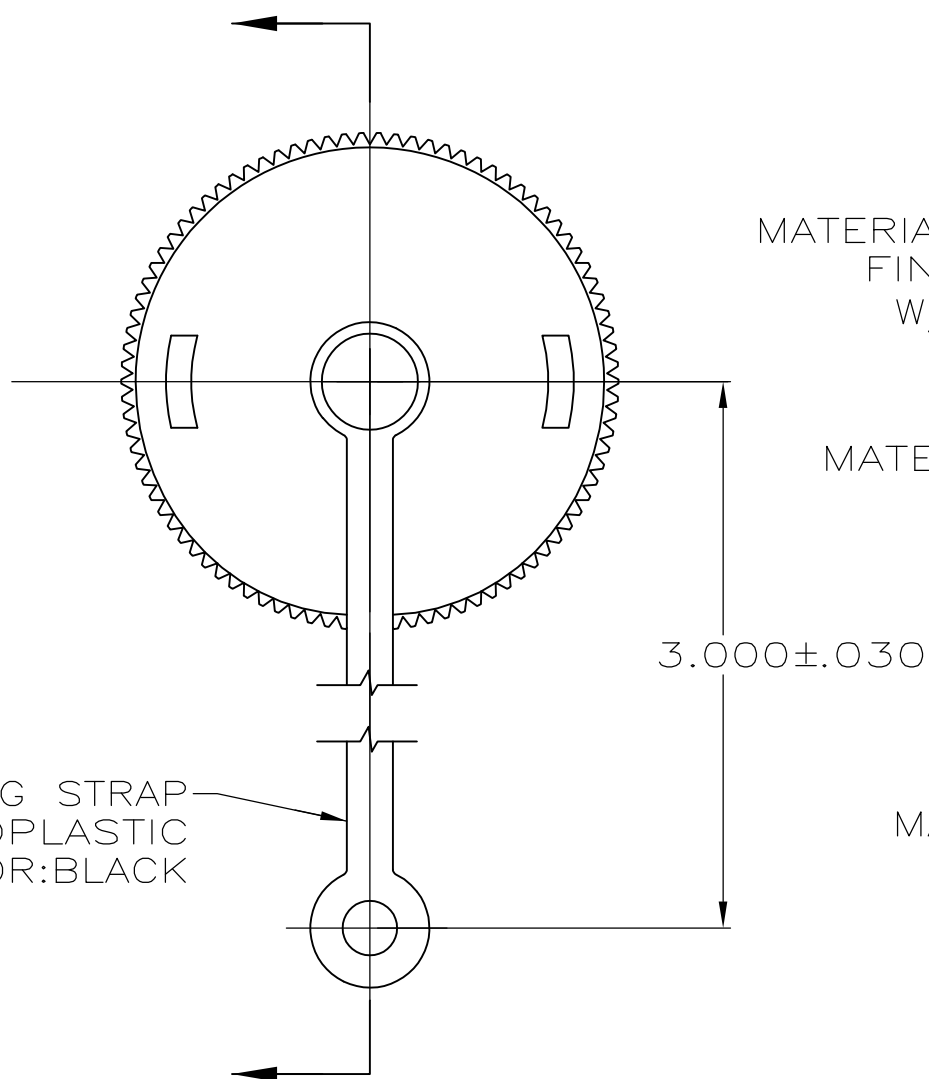


THIS DRAWING IS UNPUBLISHED. RELEASED FOR PUBLICATION  
 © COPYRIGHT BY TYCO ELECTRONICS CORPORATION. ALL RIGHTS RESERVED.

LOC	DIST	REVISIONS			
P	LTR	DESCRIPTION	DATE	DWN	APVD
FT	4	F	REVISED PER ECO-08-006410	13MAR08	HMR SH

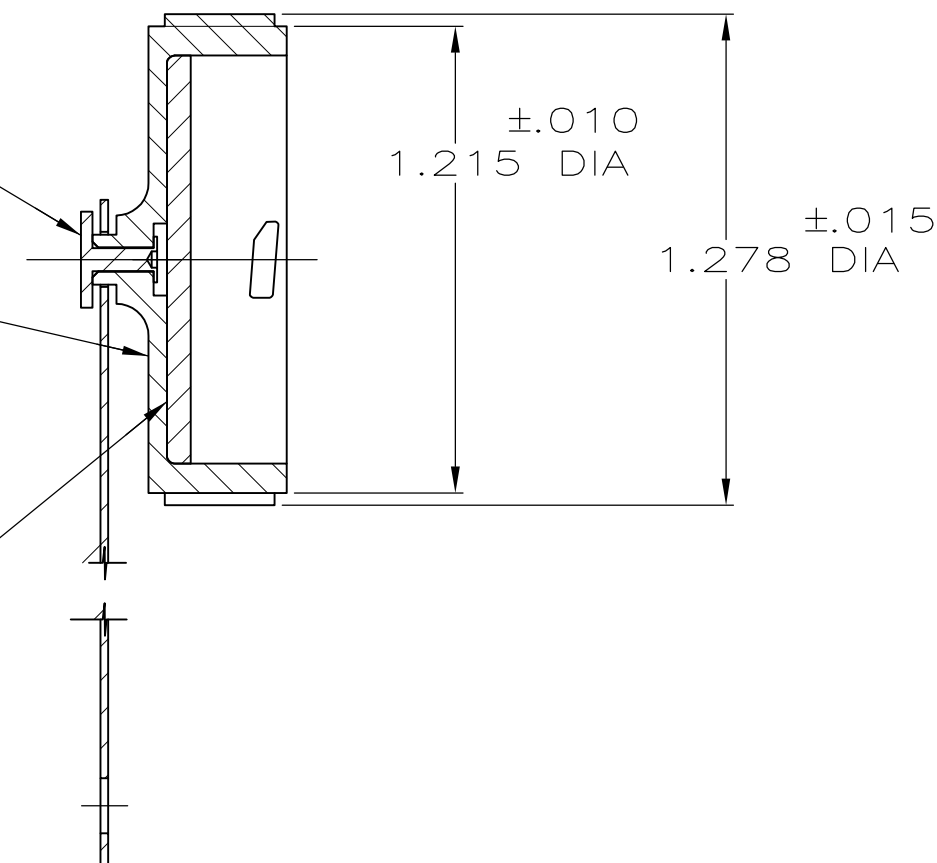


MOUNTING STRAP  
 MATERIAL: THERMOPLASTIC  
 COLOR: BLACK

RIVET  
 MATERIAL: CARBON STEEL  
 FINISH: ZINC PLATE  
 W/CLEAR CHROMATE

SEALING CAP  
 MATERIAL: THERMOPLASTIC  
 COLOR: BLACK

SEALING GASKET  
 MATERIAL: NEOPRENE  
 RUBBER  
 SEE TABLE



YES	YES	207445-3
NO	NO	207445-2
NO	YES	207445-1
ROHS COMPLIANT	SEALING GASKET	PART NUMBER

THIS DRAWING IS A CONTROLLED DOCUMENT.		DWN S.RIDGLEY BG 7/30/90	Tyco Electronics Corporation Harrisburg, PA 17105-3608													
DIMENSIONS: INCHES		CHK R.STONE 4-26-91	NAME													
TOLERANCES UNLESS OTHERWISE SPECIFIED:		APVD K.BEAVER 4-30-91	SEALING CAP ASSY, SIZE 17, CPC													
<table border="1"> <tr><td>0 PLC</td><td>± -</td></tr> <tr><td>1 PLC</td><td>± -</td></tr> <tr><td>2 PLC</td><td>± -</td></tr> <tr><td>3 PLC</td><td>± .005</td></tr> <tr><td>4 PLC</td><td>± -</td></tr> <tr><td>ANGLES</td><td>± -</td></tr> </table>		0 PLC	± -	1 PLC	± -	2 PLC	± -	3 PLC	± .005	4 PLC	± -	ANGLES	± -	PRODUCT SPEC -	APPLICATION SPEC -	RESTRICTED TO -
0 PLC	± -															
1 PLC	± -															
2 PLC	± -															
3 PLC	± .005															
4 PLC	± -															
ANGLES	± -															
MATERIAL SEE CALLOUTS	FINISH SEE CALLOUTS	WEIGHT -	SIZE A3	CAGE CODE 00779												
CUSTOMER DRAWING			DRAWING NO C-207445	RESTRICTED TO -												
			SCALE 2:1	SHEET 1 OF 1												
			REV F													