

MATERIALS AND FINISHES

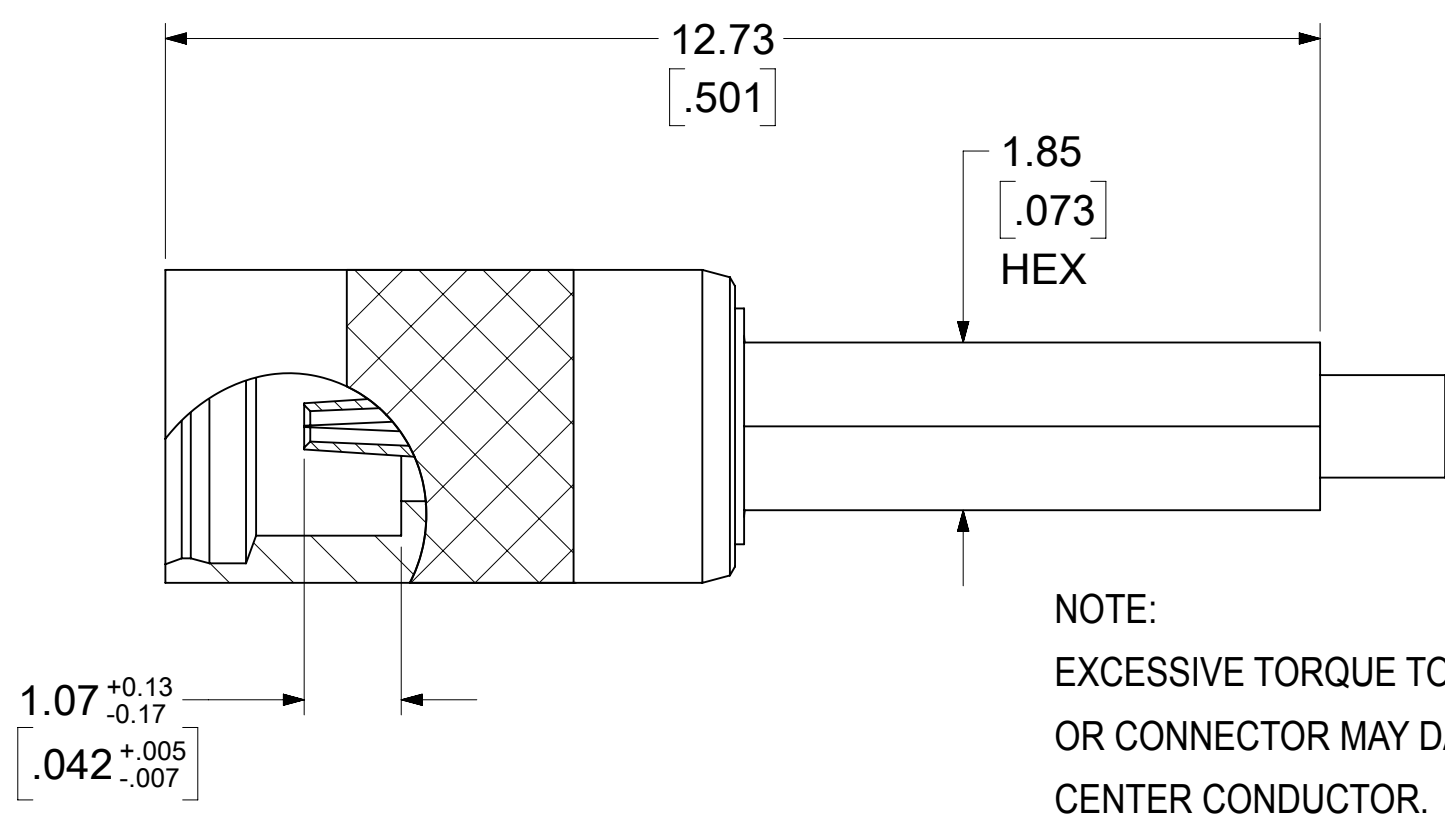
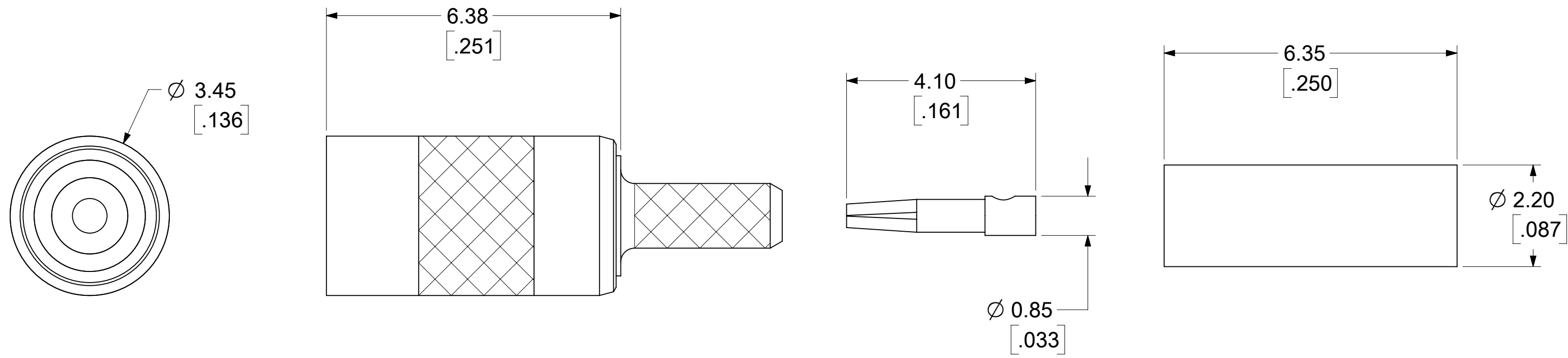
BODY: BRASS
PLATED GOLD

INSULATOR: TEFLON

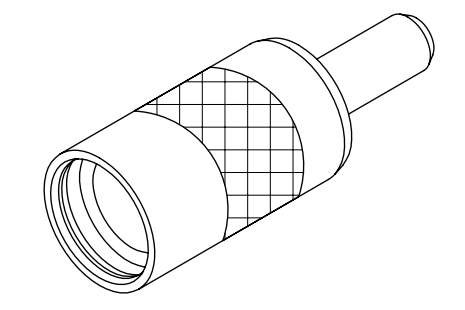
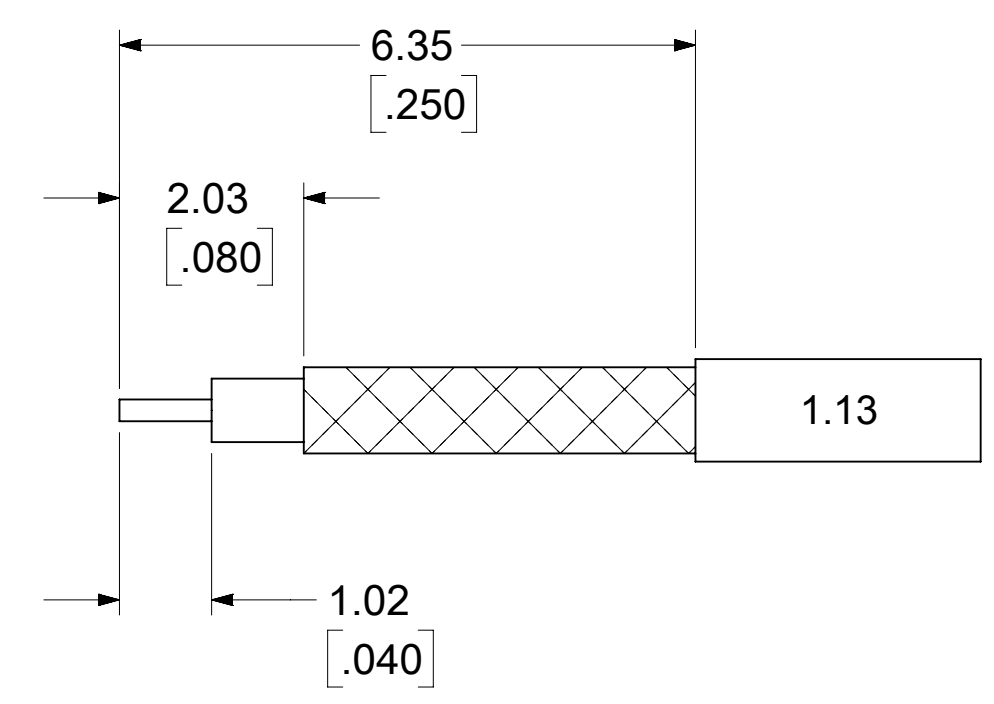
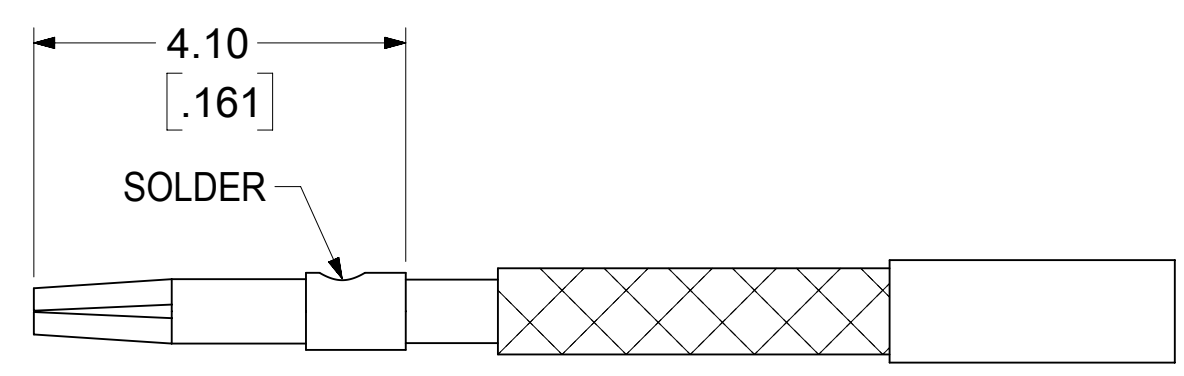
CONTACT: BERYLLIUM COPPER
PLATED GOLD

CRIMP TUBE: BRASS
SEE TABLE

MATING FORCE: 3.4 LBS MAX
UN-MATING FORCE: 1.0-3.0 LBS



NOTE:
EXCESSIVE TORQUE TO CABLE
OR CONNECTOR MAY DAMAGE CABLE
CENTER CONDUCTOR.



73415-3412	GOLD	1 PIECE 73415-3410 IN SINGLE BAG WITH LABEL
73415-3411	BLACK ZINC	BAG (200 PCS)
73415-3410	GOLD	BAG (500 PCS)
PART NO.	FINISH	PACKAGING

AS-73597-063	ASSEMBLY INSTRUCTION
PS-89675-1920	PRODUCT SPECIFICATION
CECC-22-340	INTERFACE
SPECIFICATION	DESCRIPTION

FUNCTIONAL SYMBOLS	THIS DRAWING CONTAINS INFORMATION THAT IS PROPRIETARY TO MOLEX ELECTRONIC TECHNOLOGIES, LLC AND SHOULD NOT BE USED WITHOUT WRITTEN PERMISSION		CURRENT REV DESC:		molex
	DIMENSION UNITS	SCALE	EWR # 15223-A ADDED ASSEMBLY INSTRUCTION NO.		
$\frac{E}{A} = 0$	MM/INCH	NTS	EC NO: 708217		FOR 1.13 CABLE MMCX-JC, EWR-4677
$\frac{E}{C} = 0$	GENERAL TOLERANCES (UNLESS SPECIFIED)		DRWN: JSU18 2022/05/26		
$\frac{E}{P} = 0$	ANGULAR TOL $\pm 2.0^\circ$		CHK'D: YCHENG 2022/05/27		
DIVISIONAL SYMBOLS	4 PLACES	\pm	APPR: YCHENG 2022/05/27		
	3 PLACES	\pm	INITIAL REVISION:		
	2 PLACES	\pm	DRWN: RFC_PLMIMP 2017/12/28		
	1 PLACE	\pm	APPR: JWIENER 2011/04/15		
DRAFT WHERE APPLICABLE MUST REMAIN WITHIN DIMENSIONS		THIRD ANGLE PROJECTION	DRAWING	SERIES	DOCUMENT NUMBER
			C-SIZE	73415	SD-73415-341
					DOC TYPE
					PSD
					DOC PART
					001
					REVISION
					K4
					MATERIAL NUMBER
					CUSTOMER
					GENERAL MARKET
					SHEET NUMBER
					1 OF 1