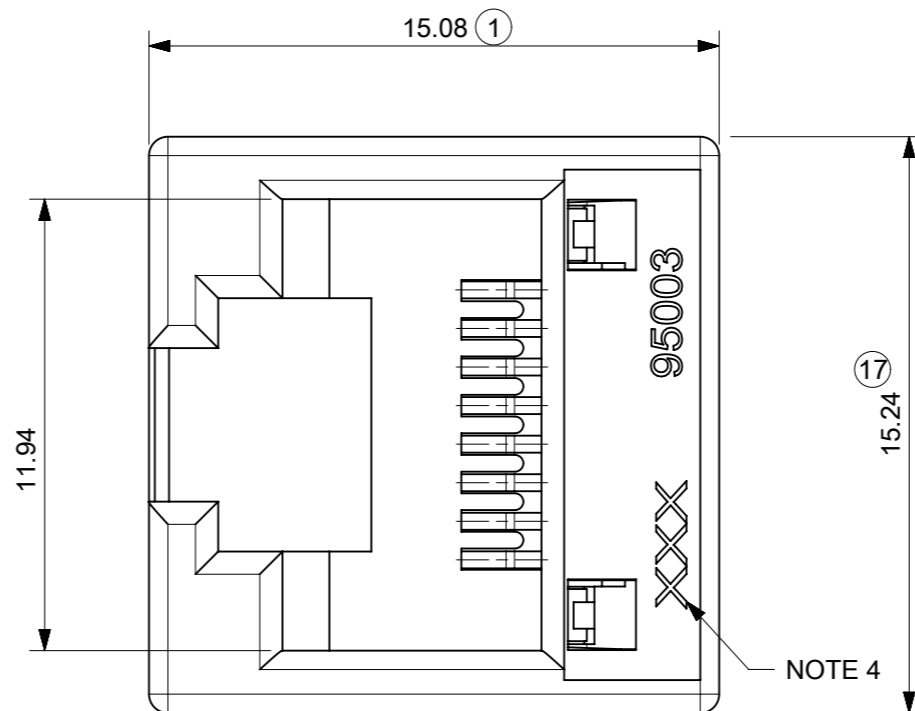


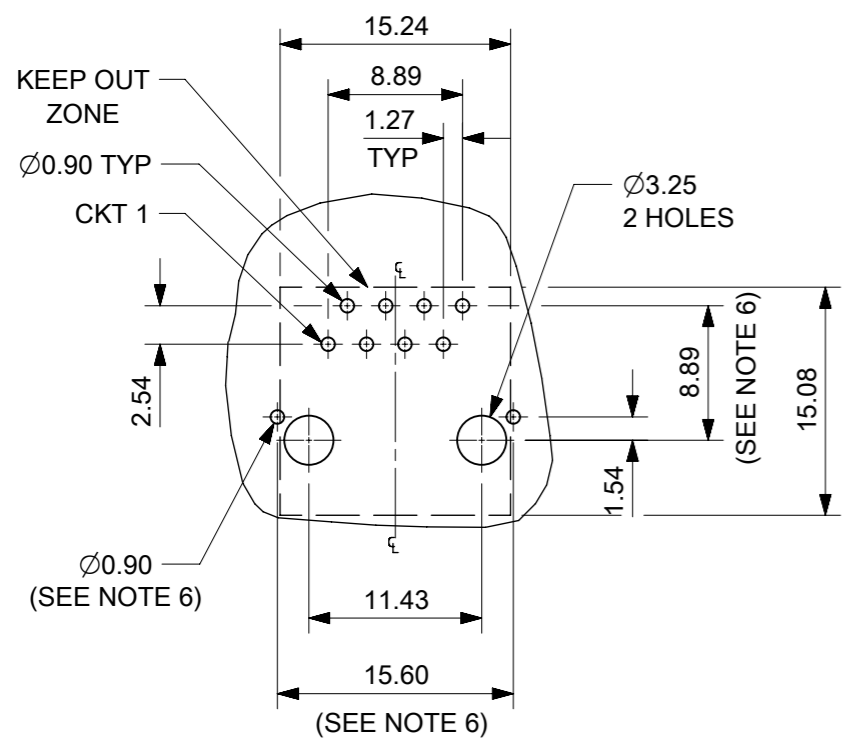
**TECHNICAL SPECIFICATIONS:**

- MATERIAL:**  
HOUSING: LCP FIBER GLASS FILLED UL 94-V0 COLOUR: BLACK  
TERMINAL: PHOSPHOR BRONZE  
**PLATING:**  
BASE FINISH: NICKEL  
CONTACT SURFACE FINISH:  
GOLD,  
OR  
GOLD FLASH OVER PALLADIUM NICKEL.  
EXCEEDS PRODUCT REQUIREMENTS BASED ON PS-85506-001
- JACK FOR MATING WITH IEC 60603-7 AND TIA-1096-A PLUGS (90075 MOLEX SERIES).
- PRODUCT SPECIFICATION PS-85506-001
- MANUFACTURING I.D CAN BE MG, MXF, MXI OR MXCH.
- PACKAGING SPECIFICATION PK-95003 SHEET 1: (TRAY PACKAGING).
- THESE 3 DIMENSIONS ARE ONLY ADVISED AND DEPEND ON THE SHIELD TO BE ADDED.
- EXCEEDS CATEGORY 5E PERFORMANCE.
- APPLICATION SPECIFICATION: AS-85513-001

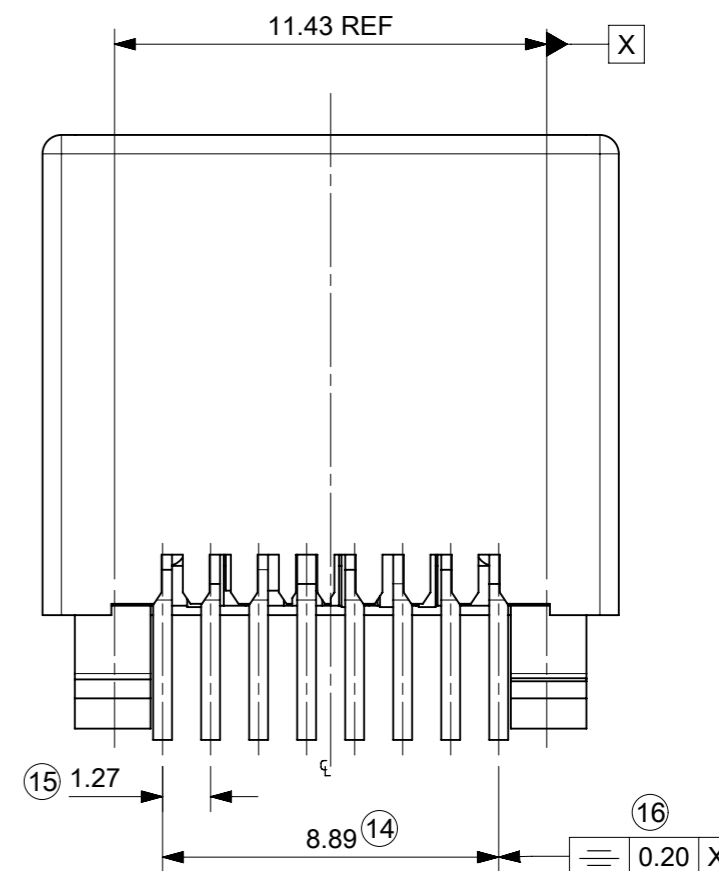
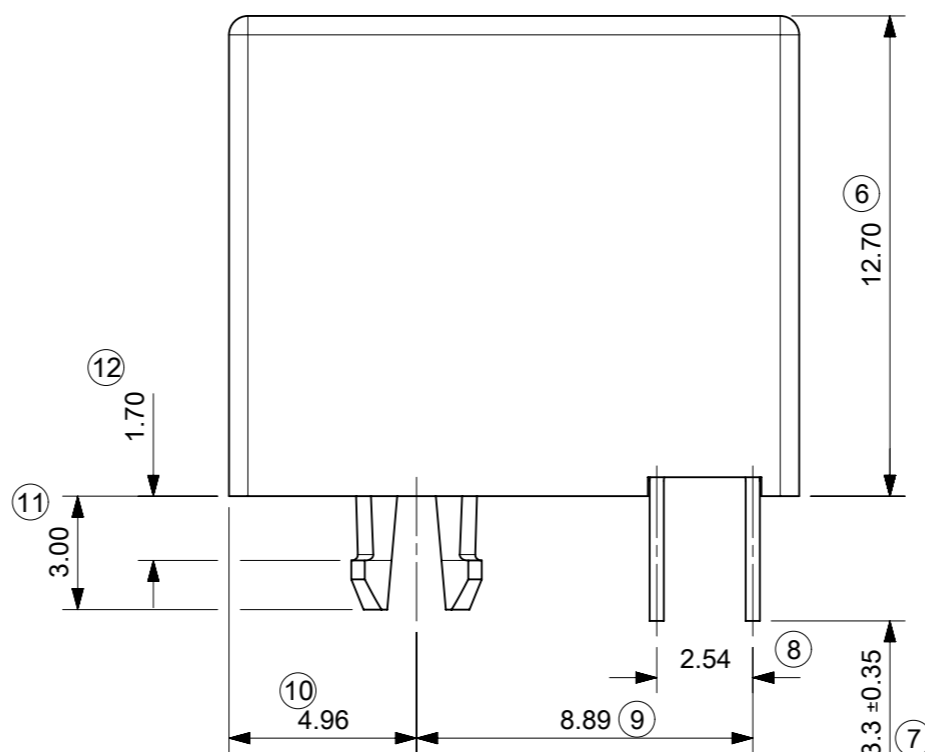
LAST INSPECTION NO.: 17  
REMOVED INSPECTION NO: 3, 4, 13



PART NO.
85511-5002



P.C.B. MOUNTING PATTERN  
(SEE FROM COMPONENT SIDE)  
(SCALE 2:1)  
ALL DIMENSIONS REF DIMENSIONS



THIS DRAWING CONTAINS INFORMATION THAT IS PROPRIETARY TO MOLEX ELECTRONIC TECHNOLOGIES, LLC AND SHOULD NOT BE USED WITHOUT WRITTEN PERMISSION									
DIMENSION UNITS	SCALE	CURRENT REV DESC: REMASTERED USING 3D MODELS							
mm	5:1								
GENERAL TOLERANCES (UNLESS SPECIFIED)									
ANGULAR TOL	± 0.5°	EC NO: 686840 DRWN: AKUMAR19 2021/08/11 CHK'D: KLANG 2022/01/12 APPR: KLANG 2022/01/12							
4 PLACES	±	INITIAL REVISION: DRWN: DBYRNES 2007/04/02 APPR: DBYRNES 2007/04/04							
3 PLACES	±	DOCUMENT NUMBER: SD-85511-502 DOC TYPE: PSD DOC PART: 001 REVISION: C2							
2 PLACES	± 0.15	MATERIAL NUMBER: SEE CHART CUSTOMER: GENERAL MARKET							
1 PLACE	± 0.25	SERIES: 85511 SHEET NUMBER: 1 OF 1							
0 PLACES	±	DRAFT WHERE APPLICABLE MUST REMAIN WITHIN DIMENSIONS THIRD ANGLE PROJECTION DRAWING: A3-SIZE							