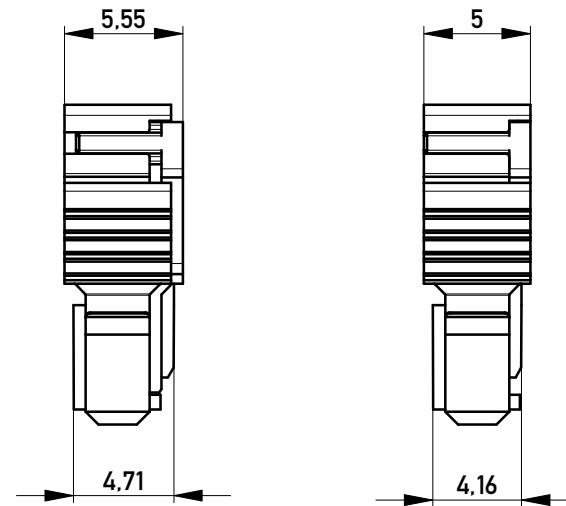
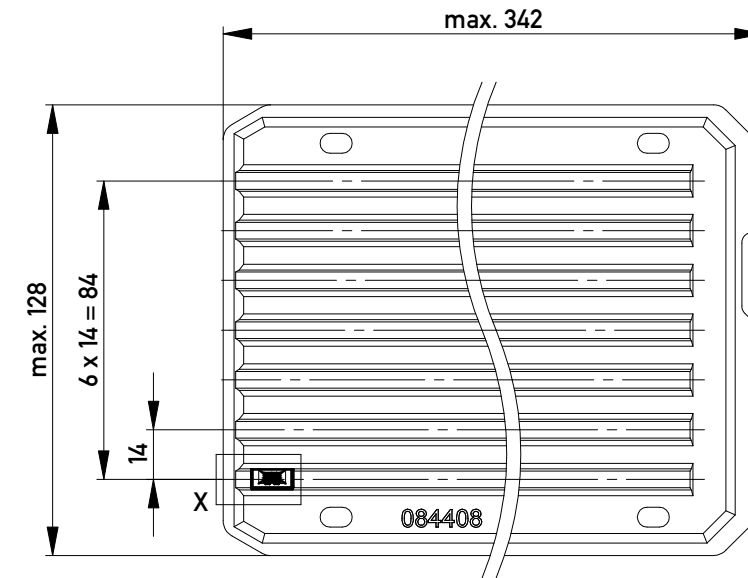


Abdeckung vorverrastet
cover loose mounted

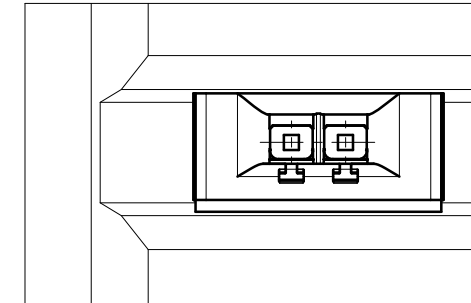
Abdeckung verpresst
cover pressed on



Verpackt in Tray - tray packaging
Verpackungseinheit 182 Stück - packaging unit 182



Einzelheit X
detail X



454587		weiß white	0.3	2.1	0.6	1.8	Codierung wie Variante schwarz Encoding such variant black
364201		rot red	2.1	0.3	2.4	0	
364200		grün green	1.5	0.9	1.8	0.6	
364199		blau blue	0.9	1.5	1.2	1.2	
364198		schwarz black	0.3	2.1	0.6	1.8	
Ident-Nr. part-no.	Codierung coding	Farbe color	A	B	C	D	Bemerkung note

Information: All rights reserved. Only for Information. To ensure that this is the latest version of this drawing, please contact one of the ERNI companies before using.	Tolerances All Dimensions in mm	Scale 3:1
	Subject to modification without prior notice. Drawing will not be updated.	
Designation F 2,54 SRC-A, 2-polig BA 2		
www.ERNI.com		324033
a Index	13.09.2011 Date	i A3
Class		SRCBUG

Copyright by ERNI GmbH
Proprietary notice pursuant to ISO 16016 to be observed.