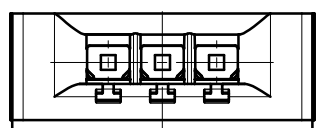
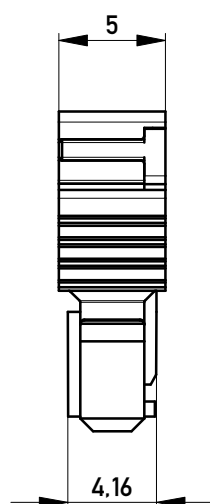
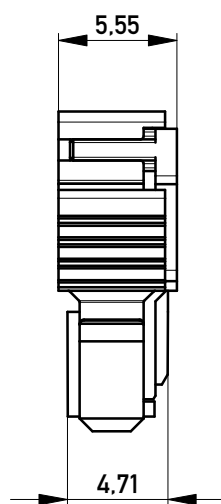
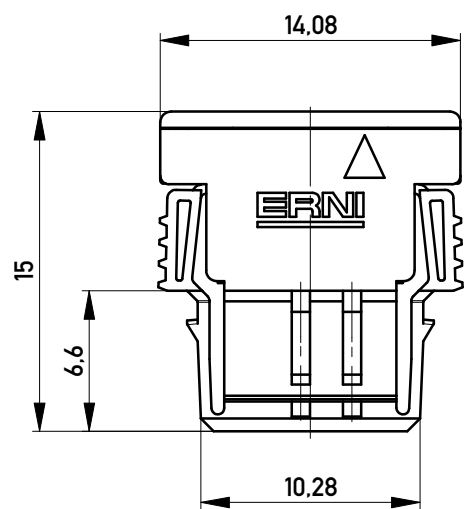
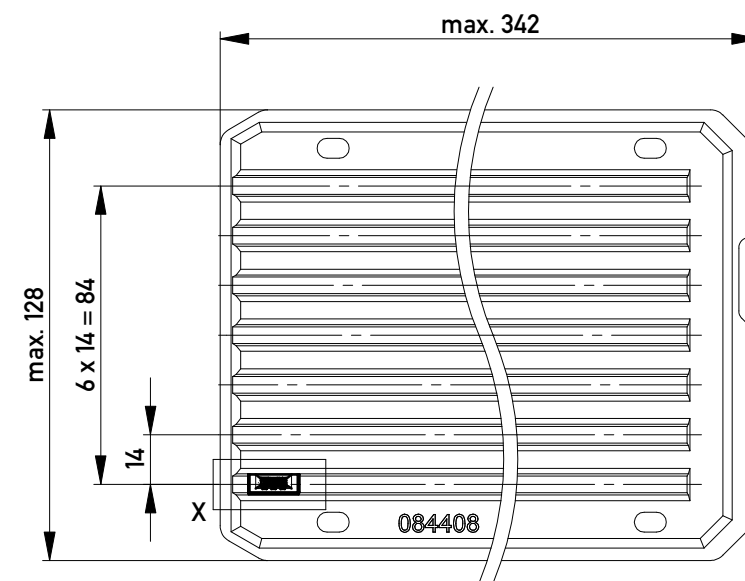


Abdeckung vorverrastet
cover loose mounted

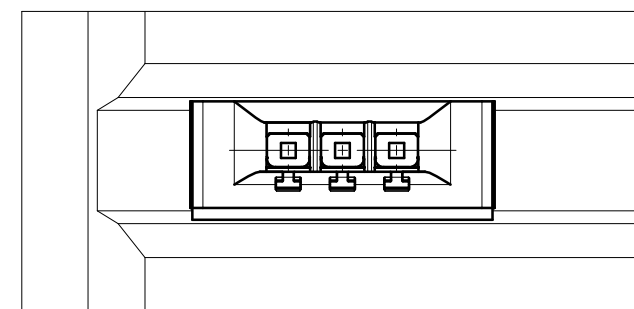
Abdeckung verpresst
cover pressed on



Verpackt in Tray - tray packaging
Verpackungseinheit 154 Stück - packaging unit 154



Einzelheit X
detail X



454590		weiß white	0.45	1.95	0.9	1.5	Codierung wie Variante schwarz Encoding such variant black
364215		rot red	3.15	0.75	3.6	1.2	
364214		grün green	2.25	0.15	2.7	0.3	
364213		blau blue	1.35	1.05	1.8	0.6	
364212		schwarz black	0.45	1.95	0.9	1.5	
Ident-Nr. part-no.	Codierung coding	Farbe color	A	B	C	D	Bemerkung note

Information:	Tolerances All Dimensions in mm	Scale	3:1
		Designation F 2,54 SRC-A, 3-polig BA 2	
All rights reserved. Only for Information. To ensure that this is the latest version of this drawing, please contact one of the ERNI companies before using.	Subject to modification without prior notice. Drawing will not be updated.	www.ERNI.com	
		324034	
a	13.09.2011	i	
Index	Date	A3	
Class		SRCBUG	

Copyright by ERNI GmbH
Proprietary notice pursuant to ISO 16016 to be observed.