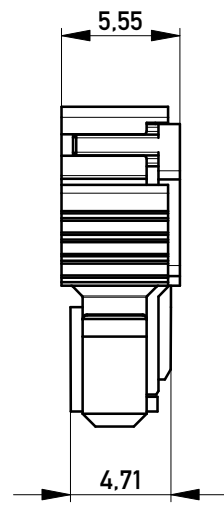
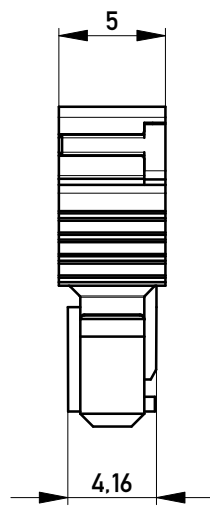


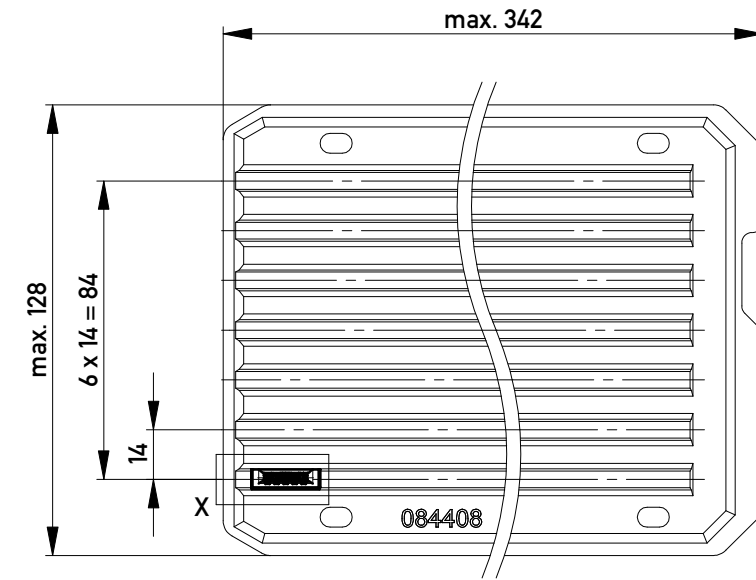
Abdeckung vorverrastet
cover loose mounted



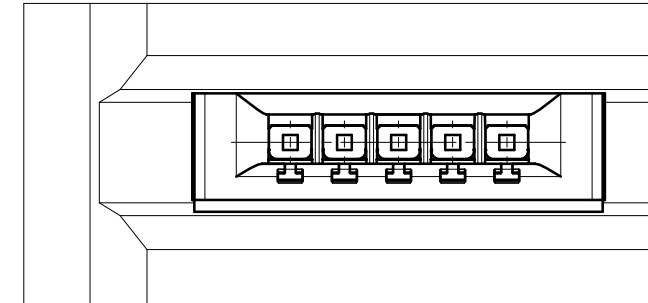
Abdeckung verpresst
cover pressed on



Verpackt in Tray - tray packaging
Verpackungseinheit 112 Stück - packaging unit 112



Einzelheit X
detail X



454667		weiß white	0.3	4.5	0.9	3.9	Codierung wie Variante schwarz Encoding such variant black
364229		rot red	3.9	0.9	4.5	0.3	
364228		grün green	2.7	2.1	3.3	1.5	
364227		blau blue	1.5	3.3	2.1	2.7	
364226		schwarz black	0.3	4.5	0.9	3.9	
Ident-Nr. part-no.	Codierung coding	Farbe color	A	B	C	D	Bemerkung note

Information: All rights reserved. Only for Information. To ensure that this is the latest version of this drawing, please contact one of the ERNI companies before using.	Tolerances All Dimensions in mm	Scale 3:1
	Subject to modification without prior notice. Drawing will not be updated.	
www.ERNI.com a 13.09.2011 Index Date	Designation F 2,54 SRC-A, 5-polig BA 2	
	324035 Class SRCBUG	

Copyright by ERNI GmbH
Proprietary notice pursuant to ISO 16016 to be observed.

I
A3