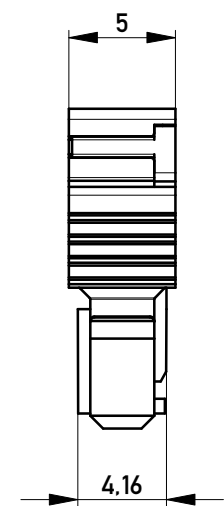
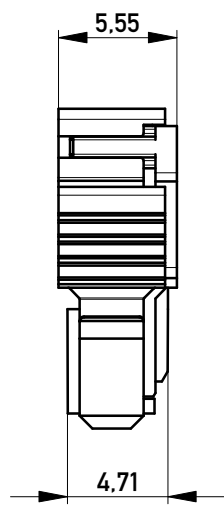
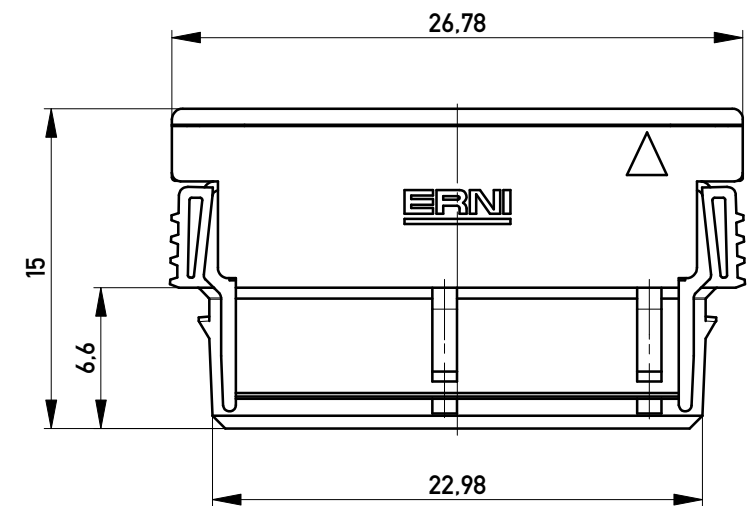
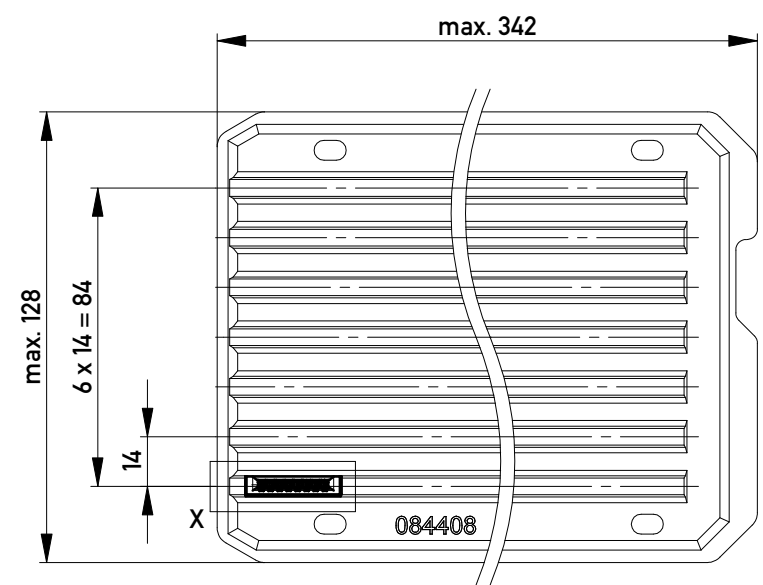


Abdeckung vorverrastet
cover loose mounted

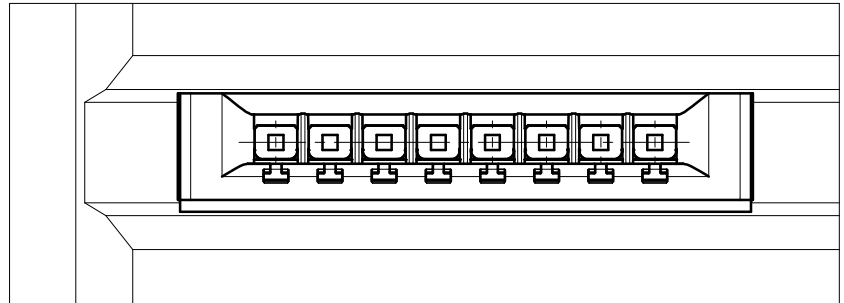
Abdeckung verpresst
cover pressed on



Verpackt in Tray - tray packaging
Verpackungseinheit 77 Stück - packaging unit 77



Einzelheit X
detail X



454673		weiß white	0.6	9	1.2	8.4	Codierung wie Variante schwarz Encoding such variant black
364257		rot red	4.2	5.4	4.8	4.8	
364256		grün green	3	6.6	3.6	6	
364255		blau blue	1.8	7.8	2.4	7.2	
364254		schwarz black	0.6	9	1.2	8.4	
Ident-Nr. part-no.	Codierung coding	Farbe color	A	B	C	D	Bemerkung note

Information:

All rights reserved.
Only for Information.
To ensure that this is the latest version of this drawing, please contact one of the ERNI companies before using.

Tolerances

Scale 3:1

All Dimensions in mm

Designation
F 2,54 SRC-A, 8-polig BA 2

324037

www.ERNI.com

13.09.2011

Date

Class SRCBUG

i A3

Copyright by ERNI GmbH
Proprietary notice pursuant to ISO 16016 to be observed.