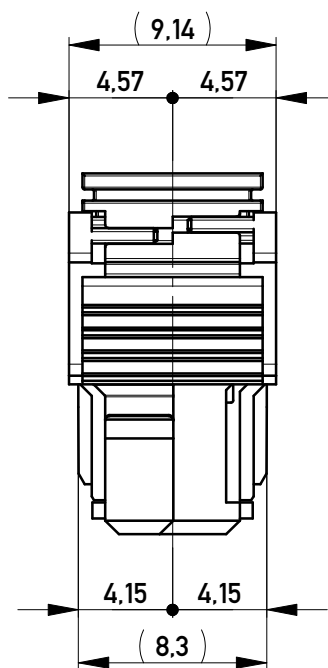
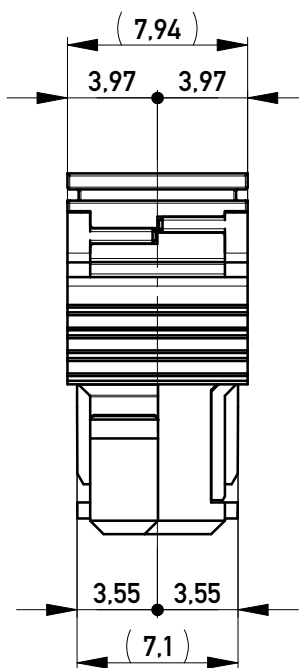


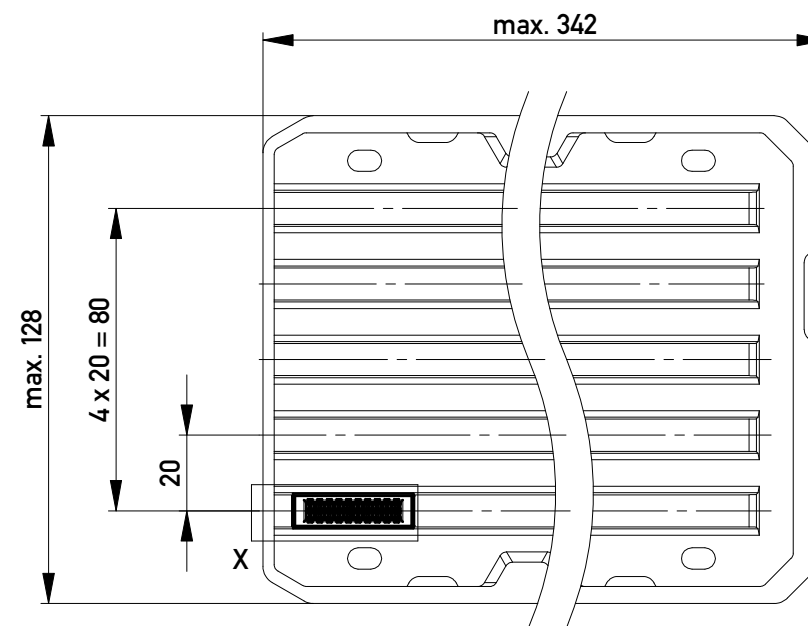
Abdeckungen vorverrastet
covers loose mounted



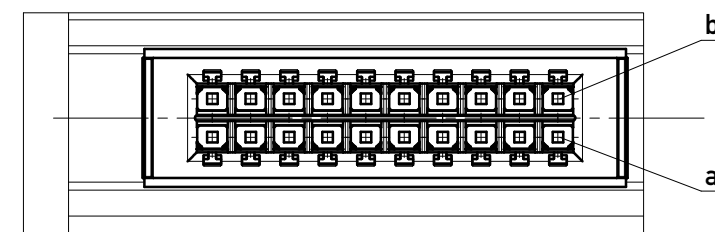
Abdeckungen verpresst
covers pressed on



Verpackt in Tray - tray packaging
Verpackungseinheit 45 Stück - packaging unit 45



Einzelheit X
detail X



374338		rot <i>red</i>	5.4	6.6	0.6	11.4	
374337		grün <i>green</i>	3.6	8.4	5.4	6.6	
374336		blau <i>blue</i>	1.8	10.2	3.6	8.4	
374335		schwarz <i>black</i>	0.6	11.4	1.8	10.2	
Ident-Nr. <i>part-no.</i>	Codierung <i>coding</i>	Farbe <i>color</i>	A	B	C	D	Bemerkung <i>note</i>

Copyright by ERNI Production GmbH & Co. KG
Proprietary notice pursuant to ISO 16016 to be observed.

Information:		Tolerances		Scale	3:1
All rights reserved. Only for Information. To ensure that this is the latest version of this drawing, please contact one of the ERNI companies before using.		All Dimensions in mm		Designation	
Subject to modification without prior notice. Drawing will not be updated.		www.ERNI.com		F 2,54 DRC-B, 20-pin	
Index		24.04.2018		324052	
Date		Date		I	
				A3	
				Class DRCBUG	