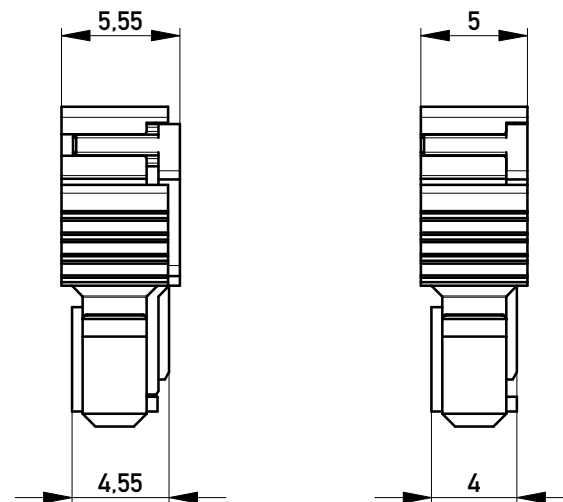
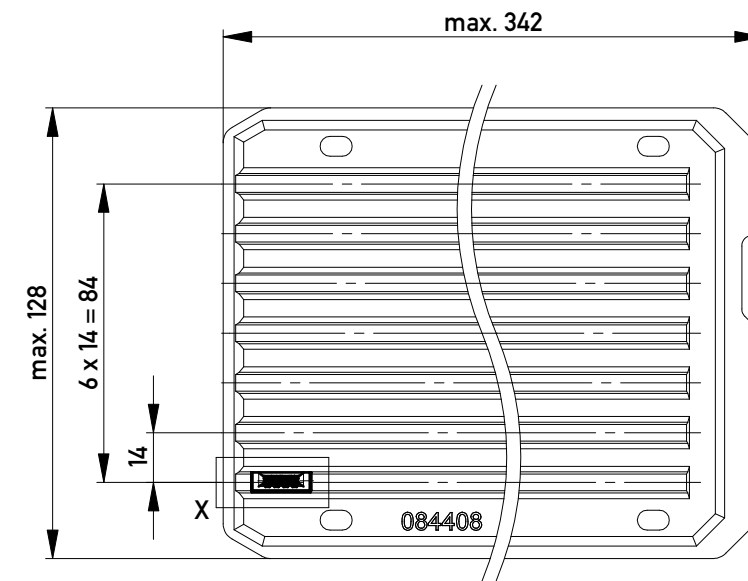


Abdeckung vorverrastet
cover loose mounted

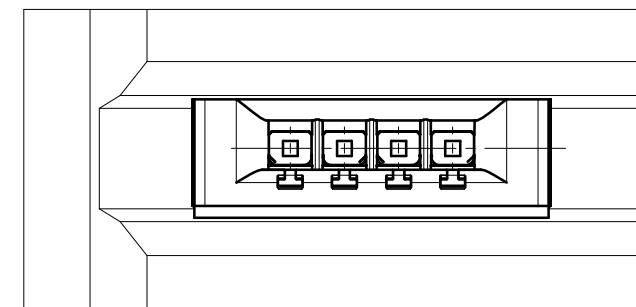
Abdeckung verpresst
cover pressed on



Verpackt in Tray - tray packaging
Verpackungseinheit 126 Stück - packaging unit 126



Einzelheit X
detail X



454664		weiß white	0.3	4.5	0.9	3.9	Codierung wie Variante schwarz Encoding such variant black
384456		rot red	3.9	0.9	4.5	0.3	
384455		grün green	2.7	2.1	3.3	1.5	
384454		blau blue	1.5	3.3	2.1	2.7	
384453		schwarz black	0.3	4.5	0.9	3.9	
Ident-Nr. part-no.	Codierung coding	Farbe color	A	B	C	D	Bemerkung note

Information:	Tolerances All Dimensions in mm	Scale	3:1
		Designation F 2,54 SRC-A, 4-polig BA 2	
All rights reserved. Only for Information. To ensure that this is the latest version of this drawing, please contact one of the ERNI companies before using.	Subject to modification without prior notice. Drawing will not be updated.	www.ERNI.com	
		324070	
d	13.08.2015	i	
Index	Date	A3	
Class		SRCBUG	

Copyright by ERNI GmbH
Proprietary notice pursuant to ISO 16016 to be observed.