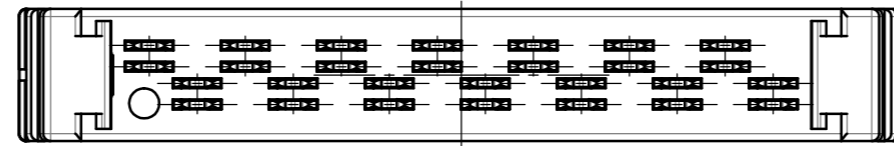
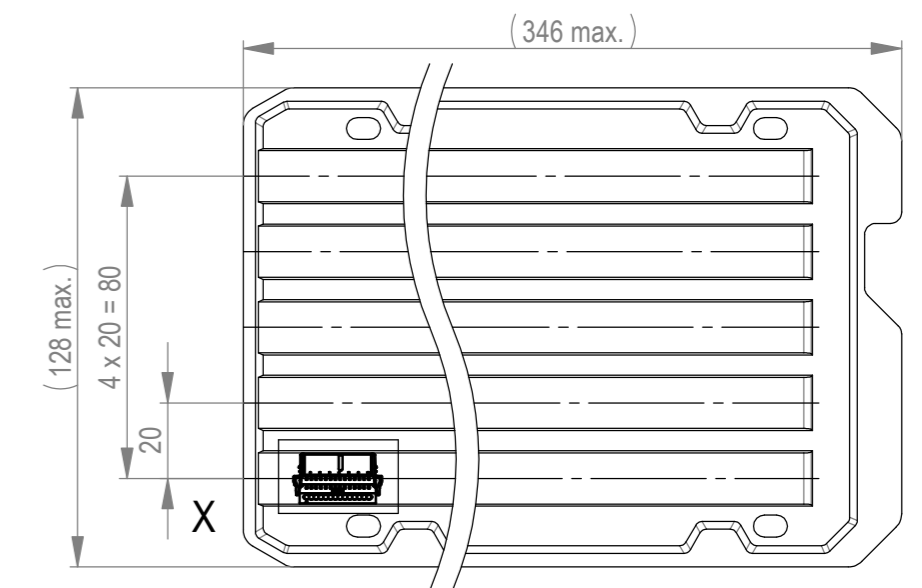


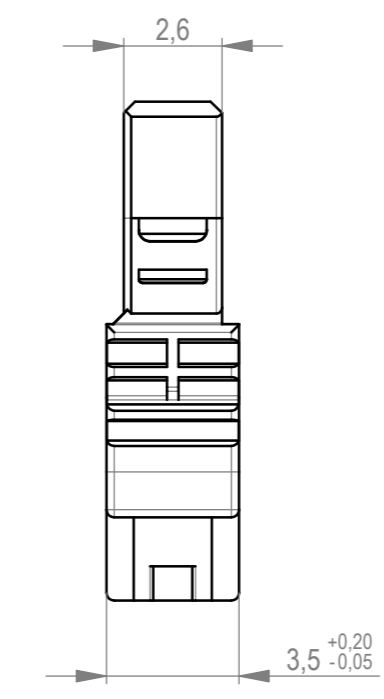
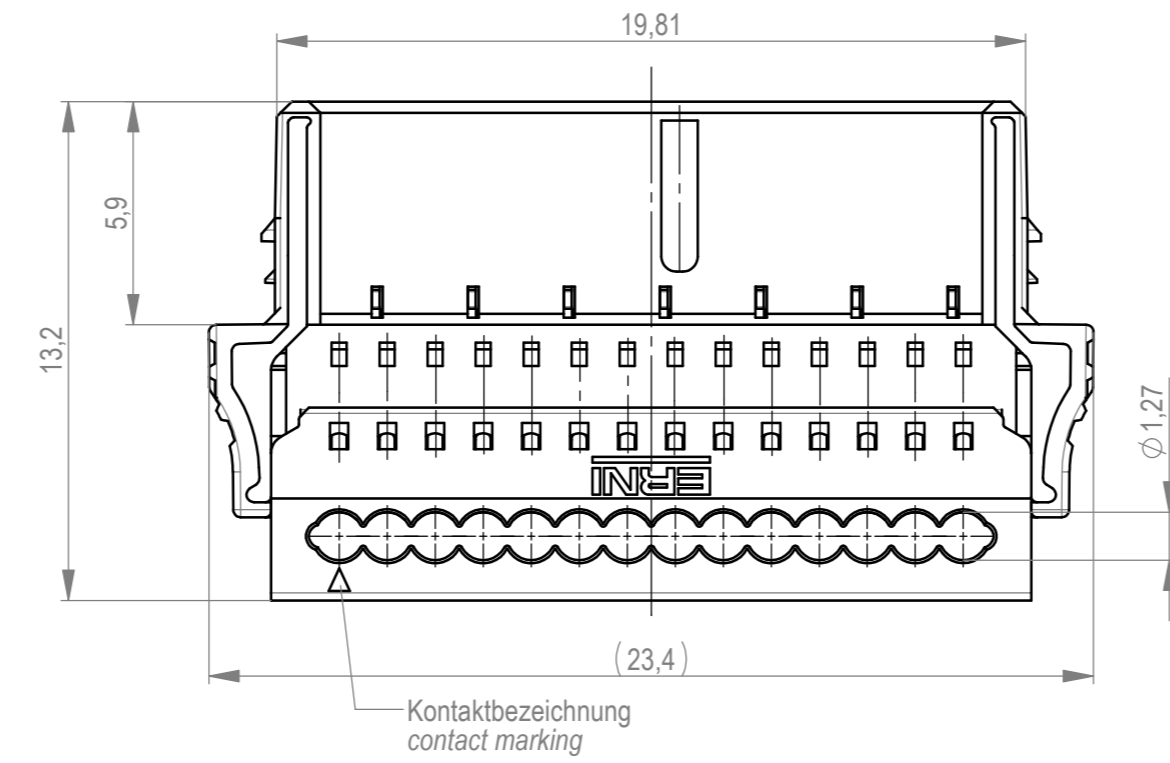
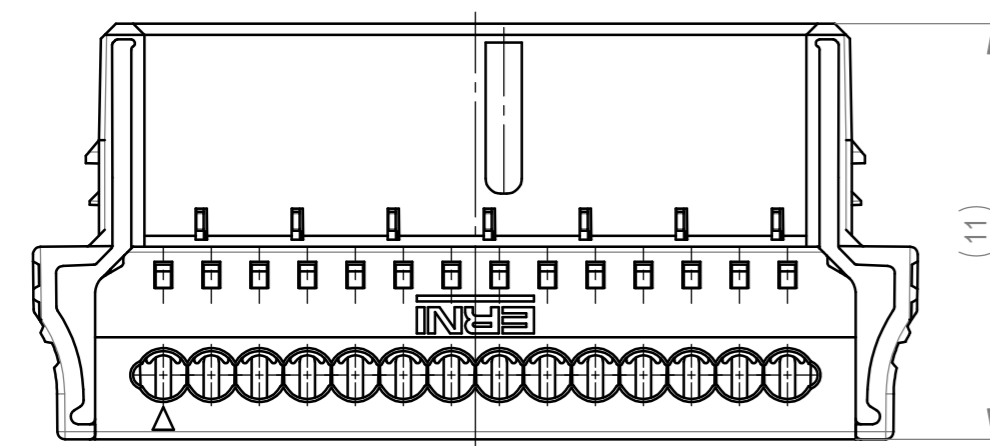
Leitungsführung offen (Anlieferungszustand)
with opening cable guide mounted (state at time of supply)



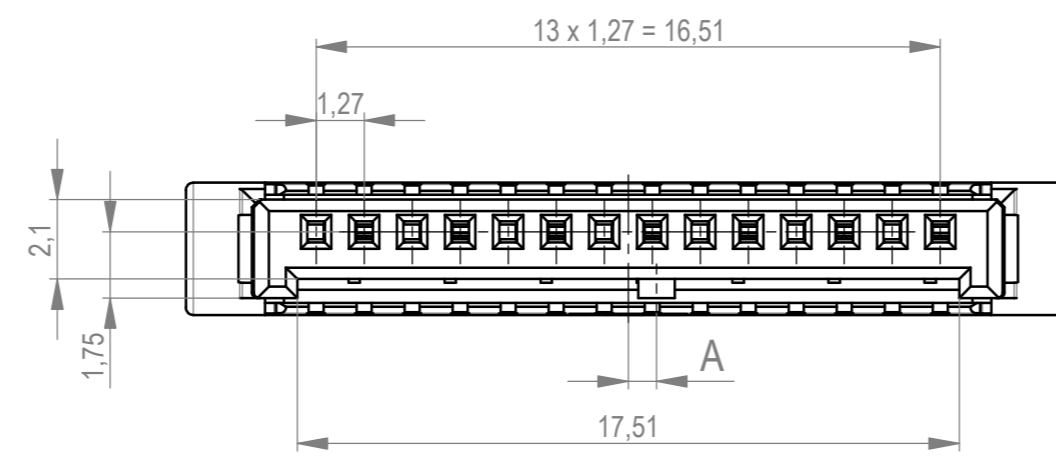
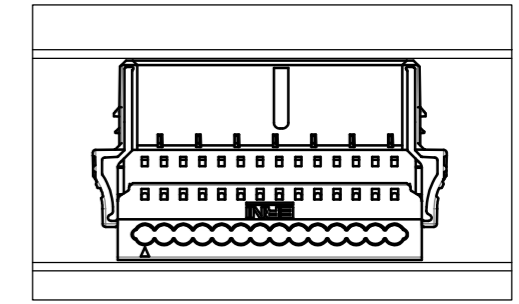
Verpackt in Tray - tray packaging
Verpackungseinheit 65 Stück - packaging unit 65 pcs



Leitungsführung geschlossen
cable guide pressed on



Einzelheit X / detail X
M 2:1 / scale 2:1



Die deutsche Version dieser Zeichnung dient nur zur Erläuterung der Handlung. Bei Abweichungen vom englischen Original gilt das englische Original. In case of any deviation from the English version, the English version shall prevail.

| | | | | |
|-----------------------|---------------------|------------------|------|---------------------|
| 524494 | | rot red | 2,25 | |
| 524493 | | grün green | 2,25 | |
| 524492 | | blau blue | 0,75 | |
| 524491 | | schwarz black | 0,75 | |
| Ident-Nr. part-no. | Codierung coding | Farbe colour | A | Bemerkung remark |

| | | | |
|---|---|--|--|
| Dimension no. | Tolerances Dim. for Information ISO 8015 | All Dimensions in mm | Scale Material 5:1 |
| Customer drawing: All rights reserved. Only for information. To ensure that this is the latest version of this drawing, please contact one of the ERNI companies before using. | Subject to modification without prior notice. Drawing will not be updated. | | MicroBridge Female Cable Outlet 90 IDC Type 2 14pin 0,35mm ² 524490 |
| c Index | 09.02.2022 Date | ERNI International AG Zürichstrasse 72 8306 Brüttisellen - Zürich Switzerland | Class MCBP |