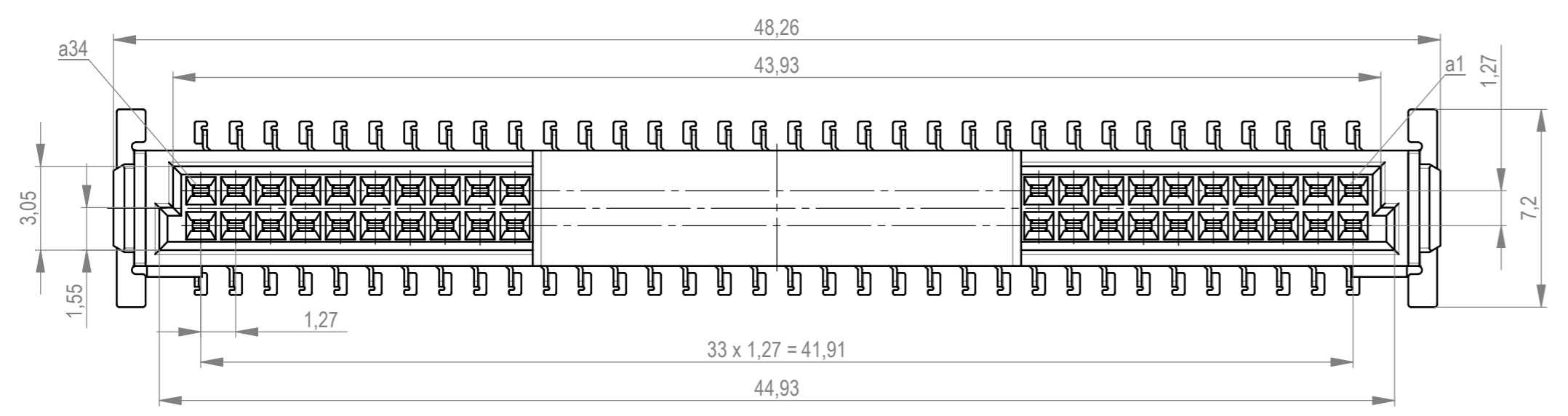
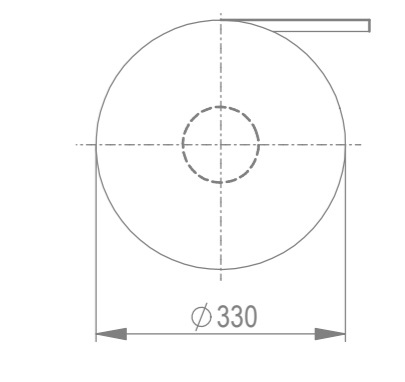
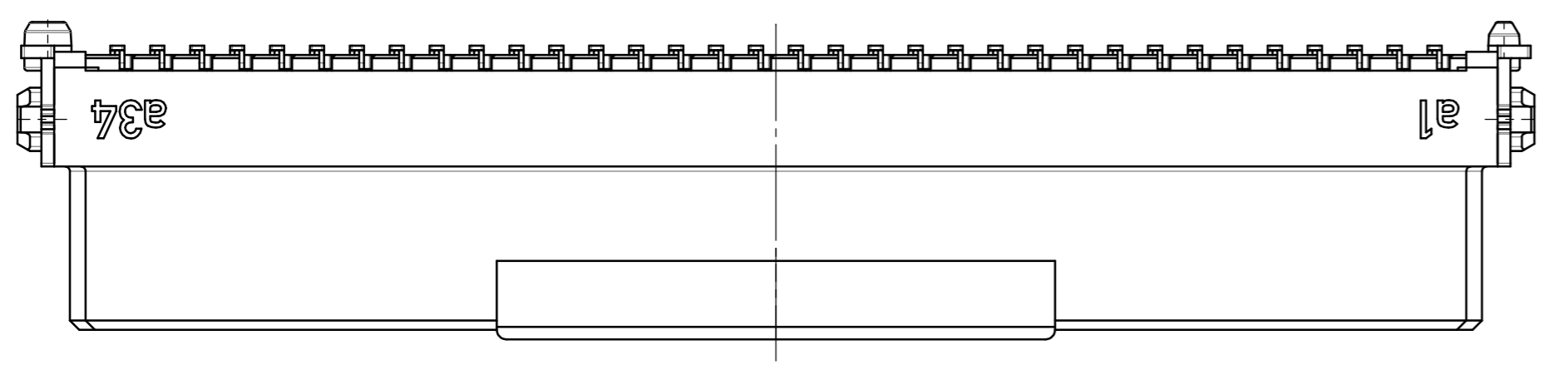
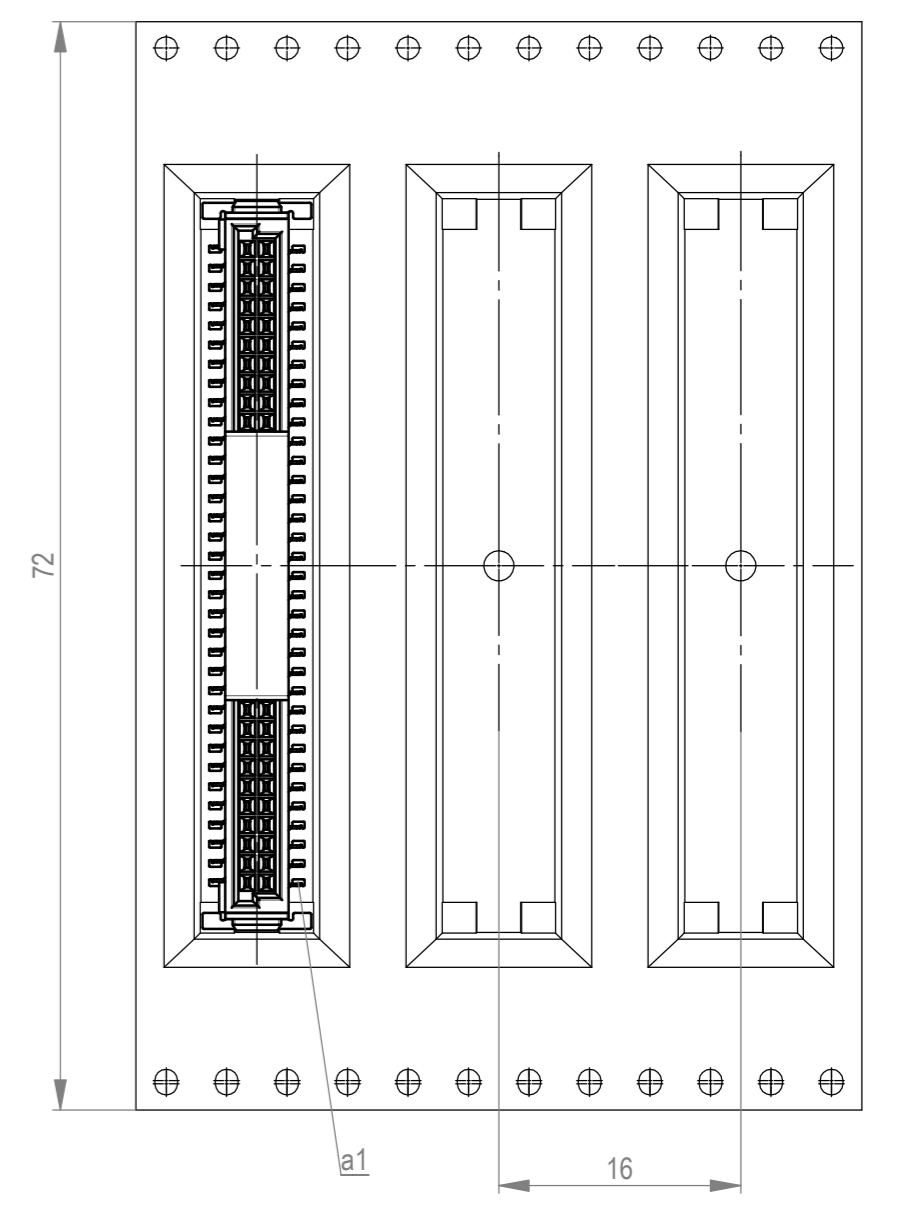


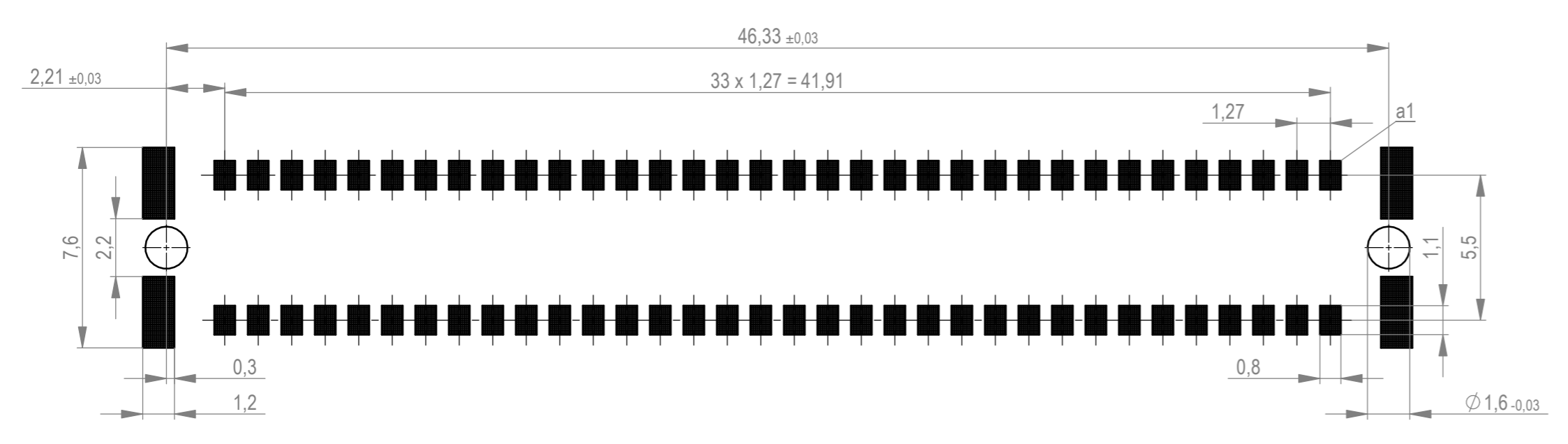
Verpackt im Gurt in Anlehnung an DIN IEC 60286-3
 tape on reel packaging according to DIN IEC 60286-3
 Verpackungseinheit: 280 Stück
 packaging unit: 280 pcs



Abspulrichtung - reel off direction



Leiterplatten-Layout Vorschlag für SMT
 PCB-Layout Proposal for SMT



Anforderungsstufe 1
 performance level 1
 Kontaktbereich vergoldet
 mating area gold plating
 Anschlussbereich verzinkt 4-6 µm
 terminal area 4-6 µm tin plating
 Koplanarität der Anschlüsse ≤ 0,1 mm
 coplanarity area of termination ≤ 0,1 mm

BA 7-03 - Standard Bauhöhe
 type 7-03 - standard assembly height

Die deutsche Version dieser Zeichnung dient nur zur Einreichung bei der
 Handlung. Bei Abweichungen vom englischen Original gilt das
 englische Original. The drawing has been created for convenience only
 and may deviate from the original.
 In case of any deviation the English version shall prevail.
 The German version of this drawing has been created for convenience only
 and may deviate from the original.
 In case of any deviation the English version shall prevail.
 We reserve the right to change the design without notice.
 All rights reserved for the benefit of the patent, utility model or design.
 All dimensions in mm.

Dimension no.	Tolerances	Scale	5:1
	ISO 8015	Material	
Customer drawing:	Subject to modification without prior notice. Drawing will not be updated.		
All rights reserved. Only for information. To ensure that this is the latest version of this drawing, please contact one of the ERNI companies before using.		ERNI International AG Zürichstrasse 72 8306 Brüttisellen - Zürich Switzerland	
f	19.05.2021	Federl. SMC-B 68-SMD-BA7-03 Female SMC-B 68-SMD-type7-03 154720	
Index	Date	Class	SMCB