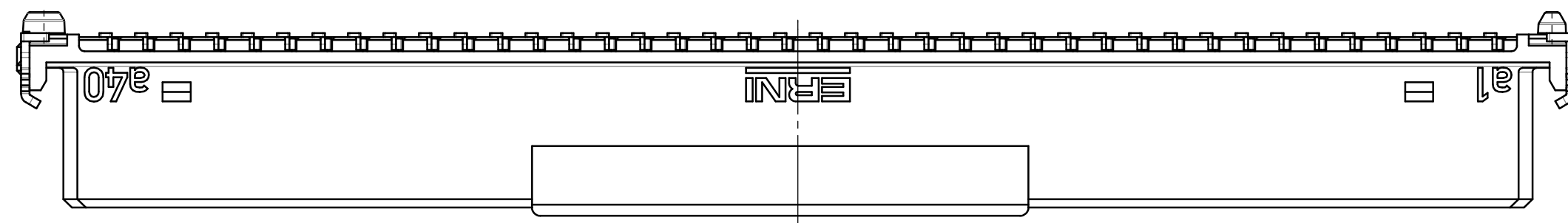
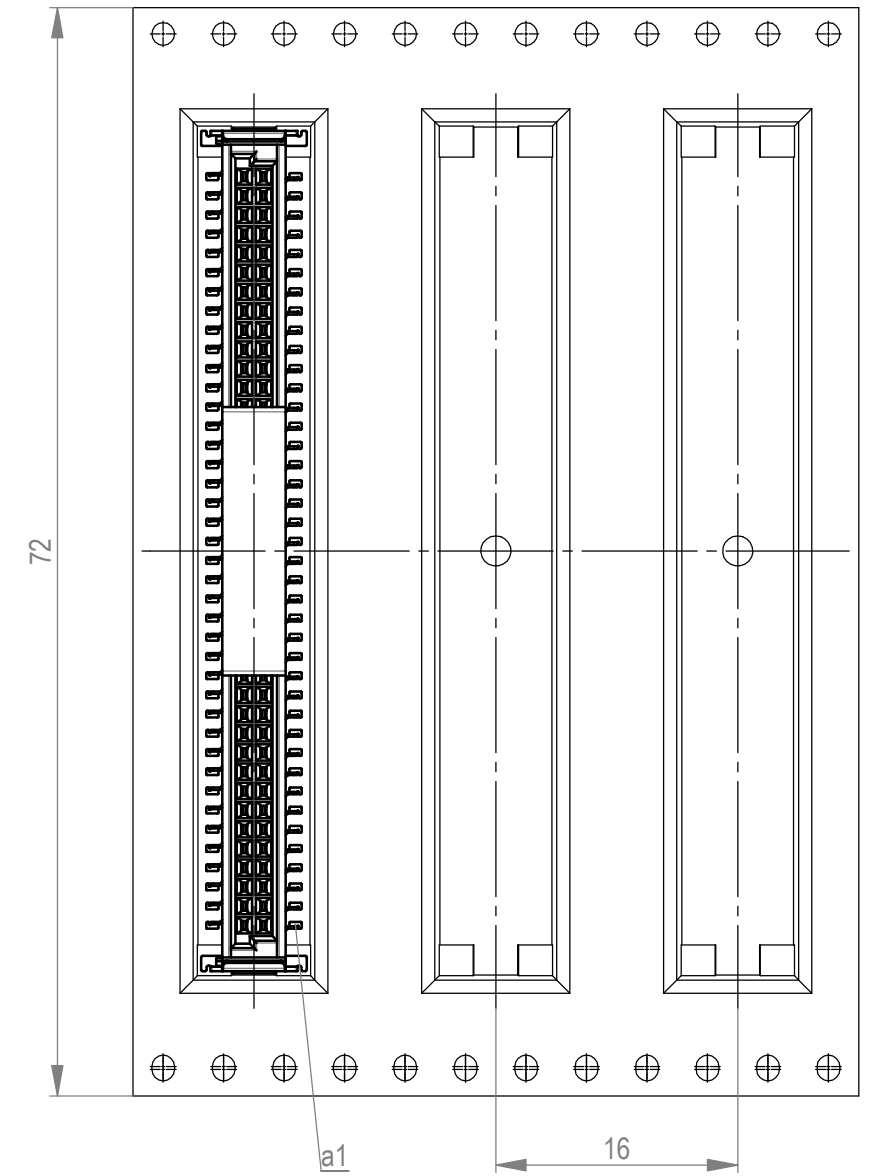
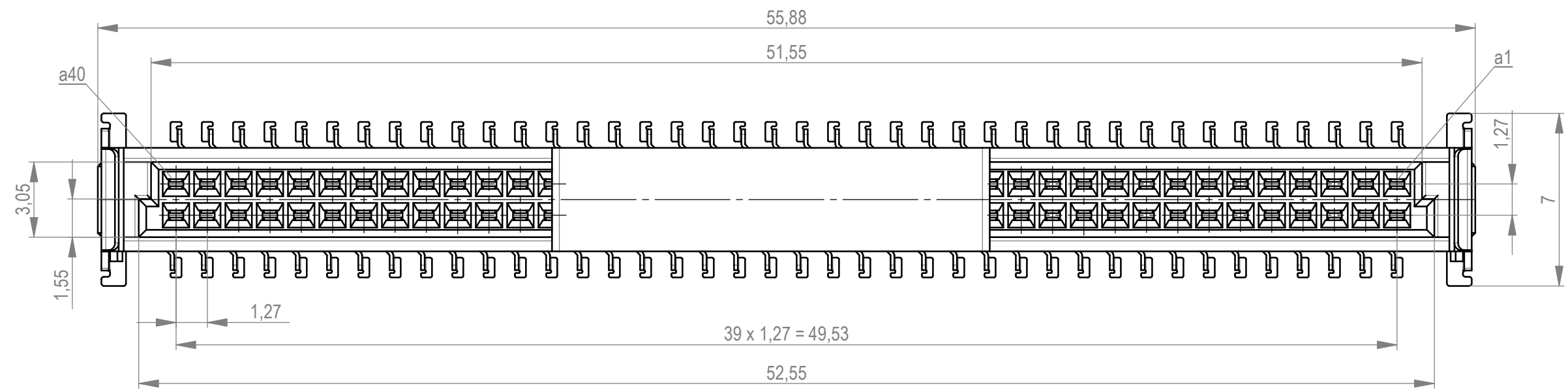
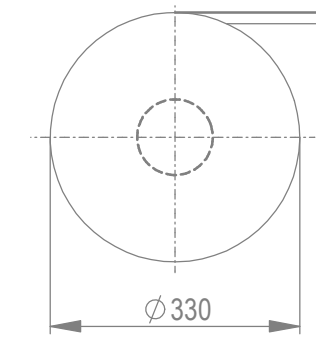
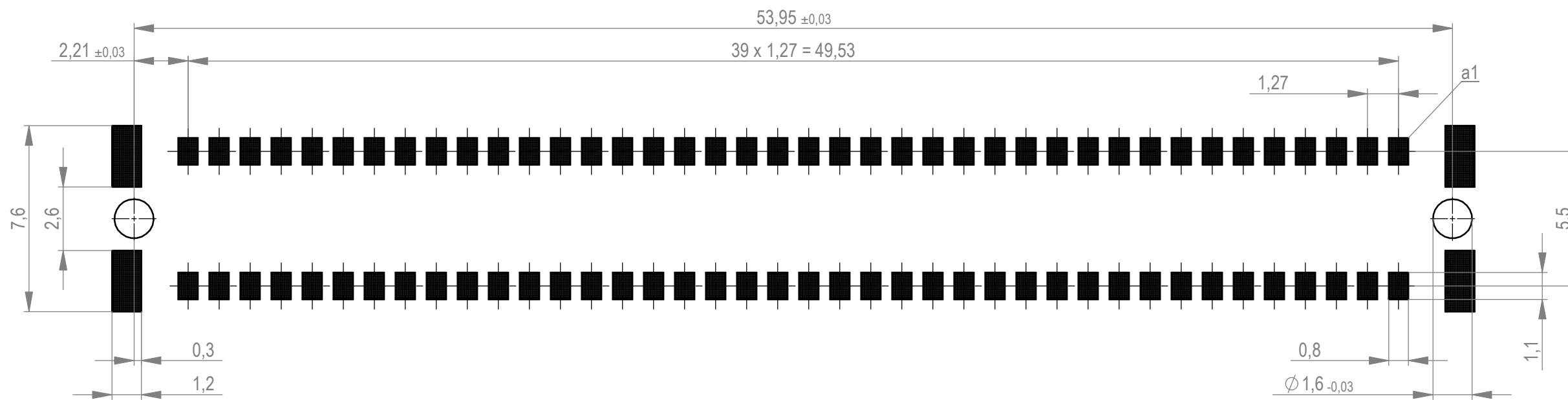


Verpackt im Gurt in Anlehnung an DIN IEC 60286-3
tape on reel packaging according to DIN IEC 60286-3
Verpackungseinheit: 280 Stück
packaging unit: 280 pcs



Leiterplatten-Layout Vorschlag für SMT
PCB-Layout Proposal for SMT



Anforderungsstufe 1
performance level 1

Kontaktbereich vergoldet
mating area gold plating

Anschlussbereich verzinkt 4-6 μm
terminal area 4-6 μm tin plating

Koplanarität der Anschlüsse $\leq 0,1 \text{ mm}$
coplanarity area of termination $\leq 0,1 \text{ mm}$

BA 7-13 - 8mm Bauhöhe
type7-13 - low profile

Dimension no.	Tolerances ISO 8015	All Dimensions in mm	Scale 5:1 Material
Customer drawing: All rights reserved. Only for information. To ensure this is the latest version of this drawing, please contact one of the ERNI companies before using.	Subject to modification without prior notice. Drawing will not be updated.		Federl. SMC-B 80-SMD-BA7-13 Female SMC-B 80-SMD-type7-13
e Index	09.06.2021 Date	ERNI International AG Zürichstrasse 72 8306 Brüttisellen - Zürich Switzerland	154809 I A2
Class			SMCB

Wskępkę sowie Verfertigung dieses Dokuments, Vorwerkung und Montage dieses Bauteils sind
 verboten, wenn nicht ausdrücklich gestattet. Zuwiderhandlungen verpflichten zu Schadenersatz.
 All rights reserved for the English version. No reproduction or translation without written
 permission of the ERNI companies. All rights reserved for the benefit of the grant of a patent, utility model or design.
 In case of any deviation from the English version, the German version shall prevail.