

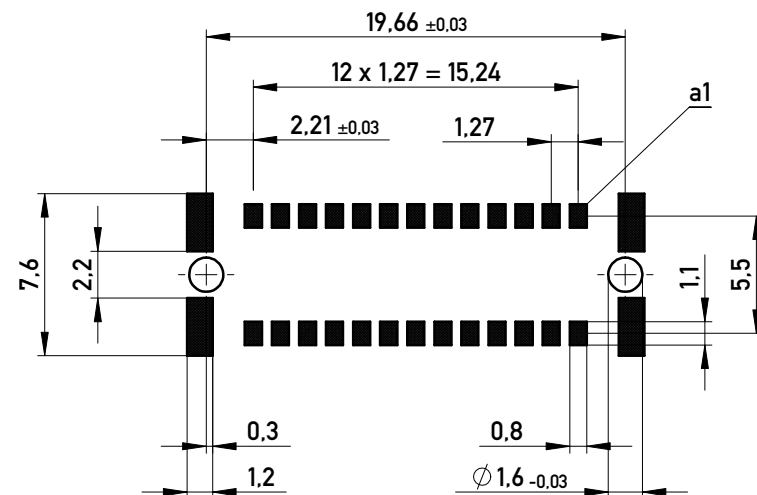
Anforderungsstufe 1
Performance Level 1

Kontaktbereich vergoldet
Mating Area gold plating

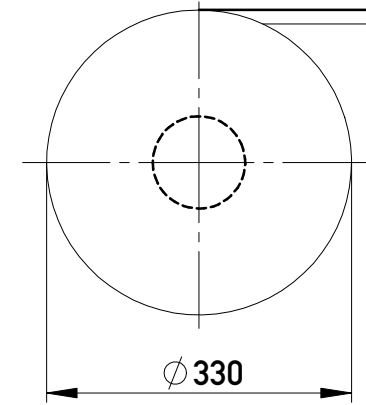
Anschlussbereich verzinkt 4-6µm
Terminal Area 4-6µm tin plating

Koplanarität der Anschlüsse ≤ 0,1mm
Coplanarity Area of Termination ≤ 0,1mm

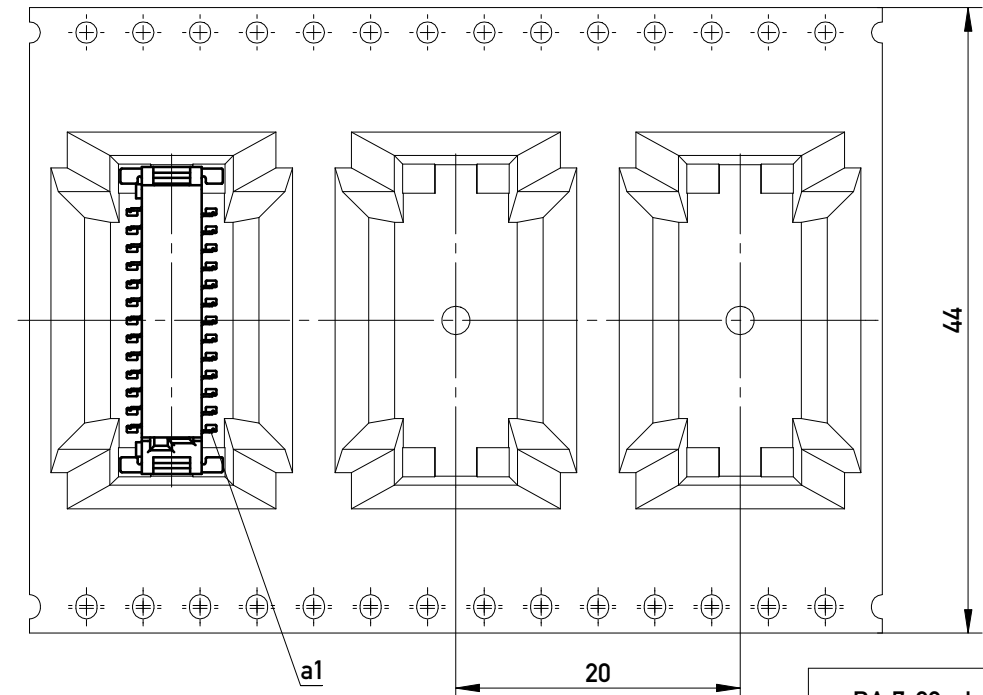
Leiterplatten-Layout Vorschlag für SMT
PCB-Layout Proposal for SMT



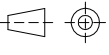
Verpackt im Gurt nach DIN IEC 60286-3
Tape on Reel Packaging according to DIN IEC 60286-3
Verpackungseinheit: 170 Stück
Packaging unit: 170 pcs



Abspulrichtung - Reel off Direction



BA 7-23 - hohe Bauhöhe
type 7-23 - high profile

Information: All rights reserved. Only for Information. To ensure that this is the latest version of this drawing, please contact one of the ERNI companies before using.	Tolerances  All Dimensions in mm	Scale 3:1	Designation Federl. SMC-B 26-SMD-BA7-23 Female SMC-B 26-SMT-type7-23
	Subject to modification without prior notice. Drawing will not be updated.		
b Index	04.11.2013 Date	Class SMCB	

Copyright by ERNI GmbH
Proprietary notice pursuant to ISO 16016 to be observed.