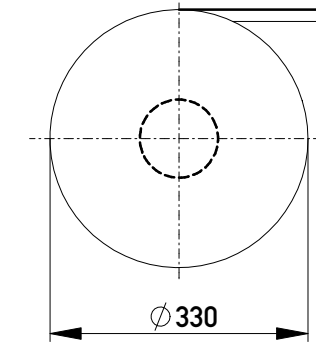
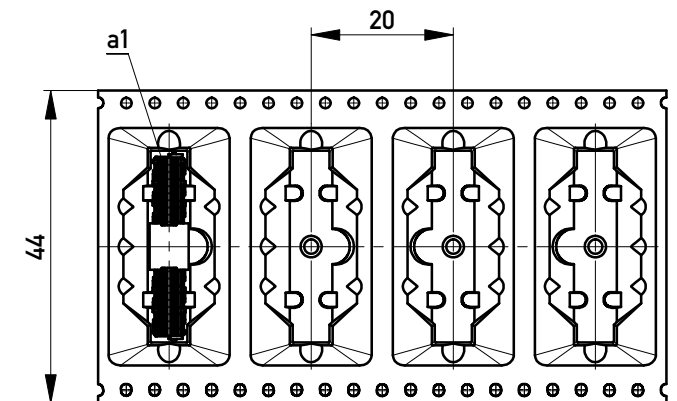
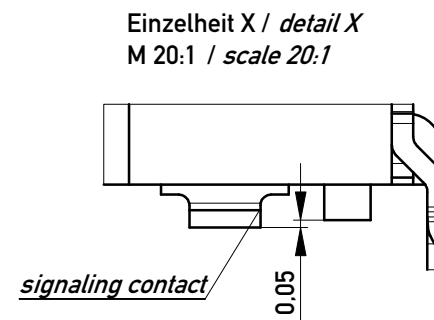
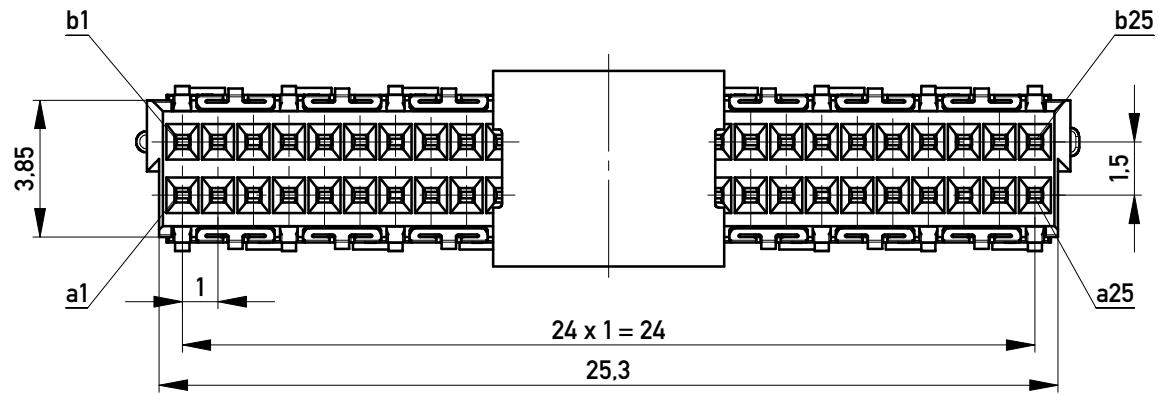


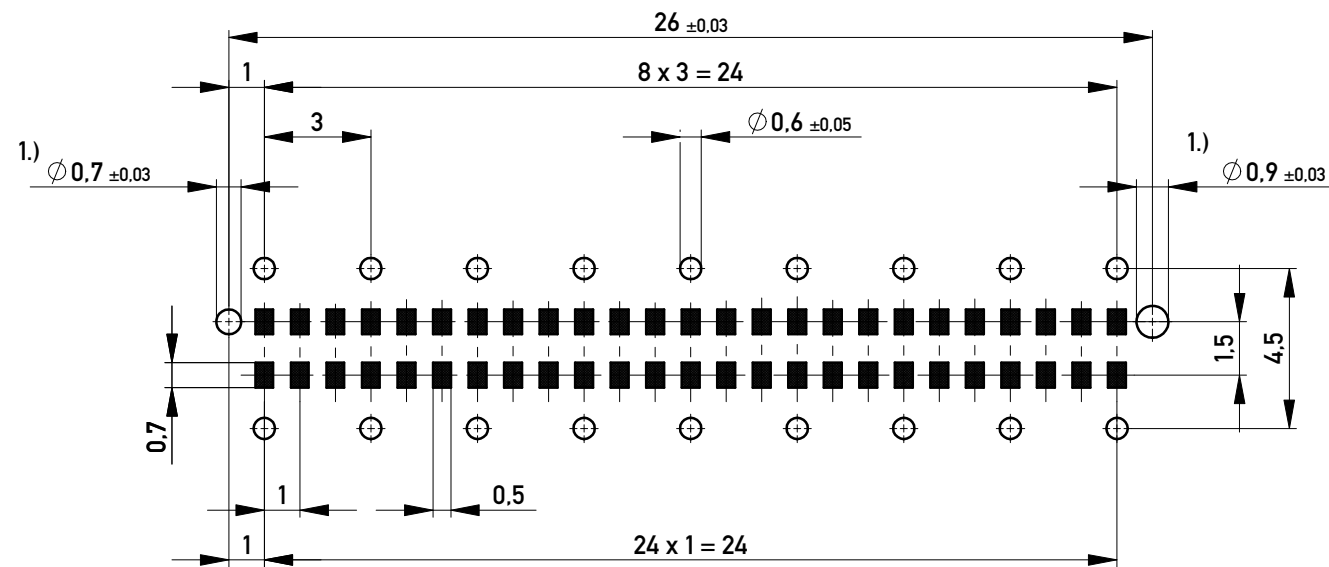
Verpackt im Gurt in Anlehnung an DIN IEC 60286-3  
*tape on reel packaging according to DIN IEC 60286-3*  
 Verpackungseinheit: 240 Stück  
*packaging unit: 240 pcs*



Abspulrichtung - *Reel off Direction* →



**Leiterplatten-Lay-out Vorschlag / PCB-Layout Proposal**



1.) Durchmesser des Bohrers / *Drill tool*

Anforderungsstufe 1  
*Performance Level 1*

Kontaktbereich vergoldet  
*Mating Area gold plating*

Anschlussbereich verzinkt 4-6µm  
*Terminal Area 4-6µm tin plating*

Koplanarität der Anschlüsse ≤ 0,1mm  
*Coplanarity Area of Termination ≤ 0,1mm*

Information:  All rights reserved. Only for Information. To ensure that this is the latest version of this drawing, please contact one of the ERNI companies before using.	Tolerances  All Dimensions in mm	Scale	5:1
		Designation	<b>Federleiste 8mm THR, 50 polig</b> <i>Female 8mm THR, 50 contacts</i>
www.ERNI.com	<b>224515</b>		I A3
g Index	20.10.2017 Date	Class MSPEED	

Copyright by ERNI GmbH  
 Proprietary notice pursuant to ISO 16016 to be observed.