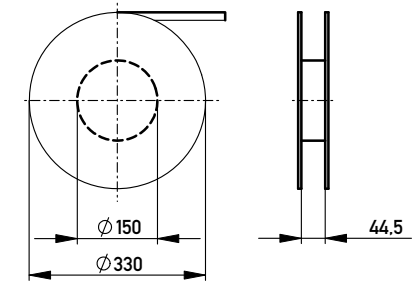
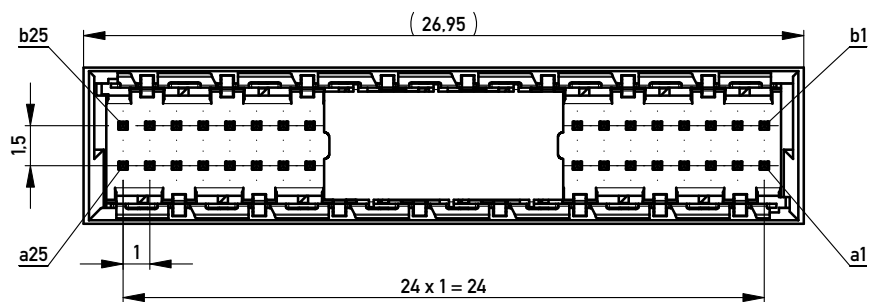


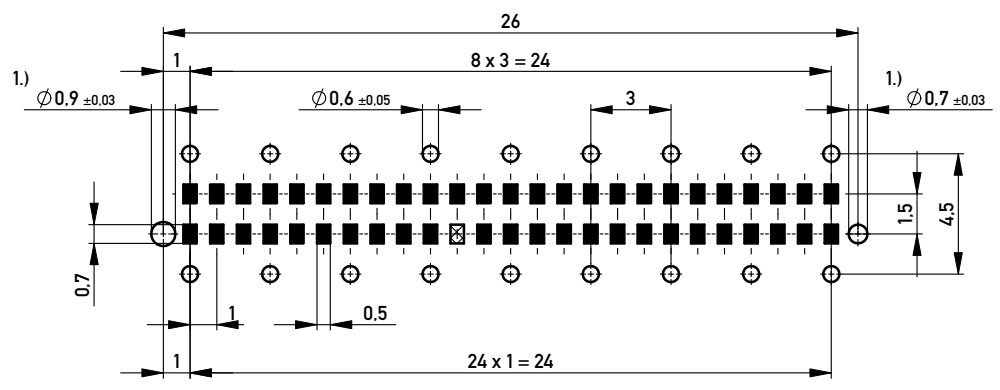
Verpackt in Gurtverpackung - Tape on Reel Packaging
 Verpackungseinheit: 220 Stück - Packaging unit: 220 pcs



Abspulrichtung - Reel off Direction



Leiterplatten-Layout Vorschlag / PCP-Layout Proposal



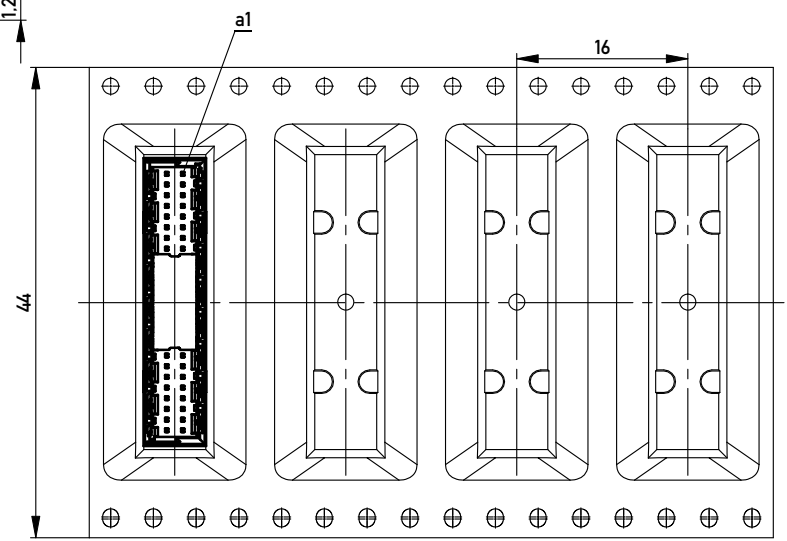
1.) Durchmesser des Bohrers / Drill tool

Anforderungsstufe 1
 Performance Level 1

Kontaktbereich vergoldet
 Mating Area gold plating

Anschlussbereich verzinkt 4-6 µm
 Terminal Area 4-6 µm tin plating

Koplanarität der Anschlüsse ≤ 0,1 mm
 Coplanarity Area of Termination ≤ 0,1 mm



Information:		Tolerances		Scale	5:1
All rights reserved. Only for Information. To ensure that this is the latest version of this drawing, please contact one of the ERNI companies before using.		All Dimensions in mm		Designation	
Subject to modification without prior notice. Drawing will not be updated.				Messerleiste 10mm THR, 50 polig	
www.ERNI.com		29.09.2010		Male 10mm THR, 50 contacts	
g		Date		224562	
Index		Date		1	
				A3	
				Class MSPEED	

Copyright by ERNI GmbH. Proprietary notice pursuant to ISO 16016 to be observed.