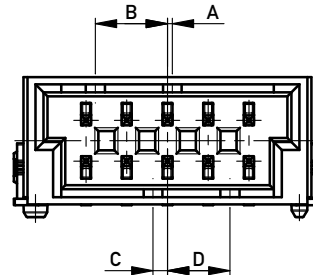
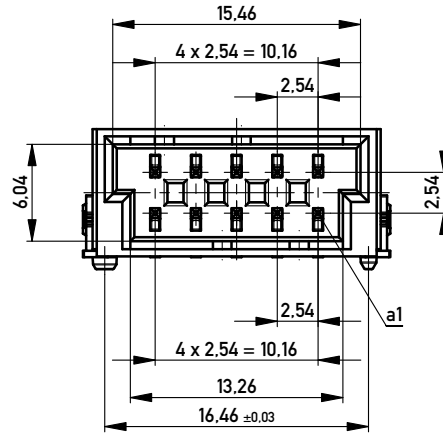
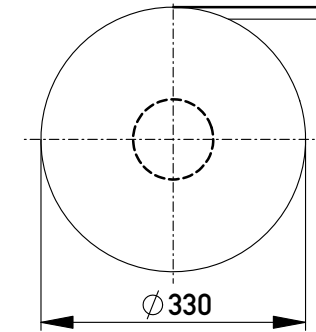
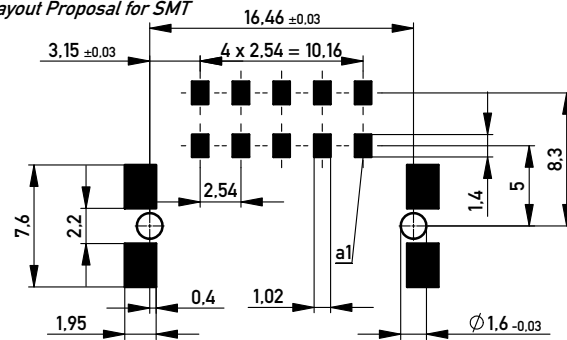


Verpackt in Gurtverpackung  
Tape on Reel Packaging  
Verpackungseinheit: 380 Stück  
Packaging unit: 380 pcs



Leiterplatten-Layout Vorschlag für SMT  
PCB-Layout Proposal for SMT

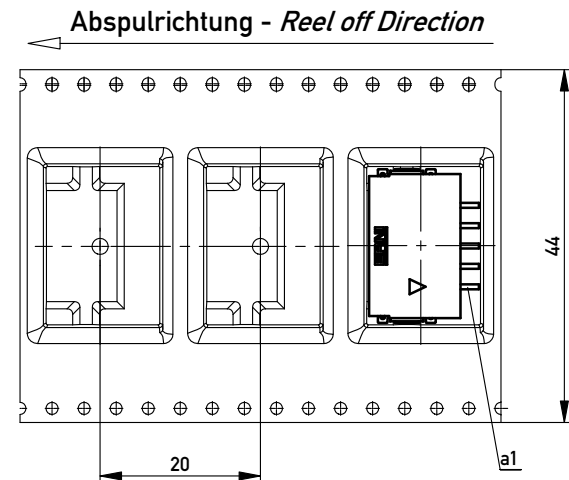


Anforderungsstufe 1  
Performance Level 1

Kontaktbereich vergoldet  
Mating Area gold plating

Anschlussbereich verzinnt 4-6 µm  
Terminal Area 4-6 µm tin plating

Koplanarität der Anschlüsse ≤ 0.1 mm  
Coplanarity Area of Termination ≤ 0.1 mm



474019		rot red	3,9	0,9	4,5	0,3	
474018		grün green	2,7	2,1	3,3	1,5	
474017		blau blue	1,5	3,3	2,1	2,7	
474016		schwarz black	0,3	4,5	0,9	3,9	
Ident-Nr. part-no.	Codierung coding	Farbe color	A	B	C	D	Bemerkung note

Information:		Tolerances		Scale	3:1
All rights reserved. Only for Information. To ensure that this is the latest version of this drawing, please contact one of the ERNI companies before using.		All Dimensions in mm		Designation	
Subject to modification without prior notice. Drawing will not be updated.		www.ERNI.com		M 2.54 DRC-B, 10-polig	
ERNI		www.ERNI.com		324229	
a	27.11.2013			I	
Index	Date			A3	
				Class	DRCB

Copyright by ERNI GmbH  
Proprietary notice pursuant to ISO 9006 to be observed.