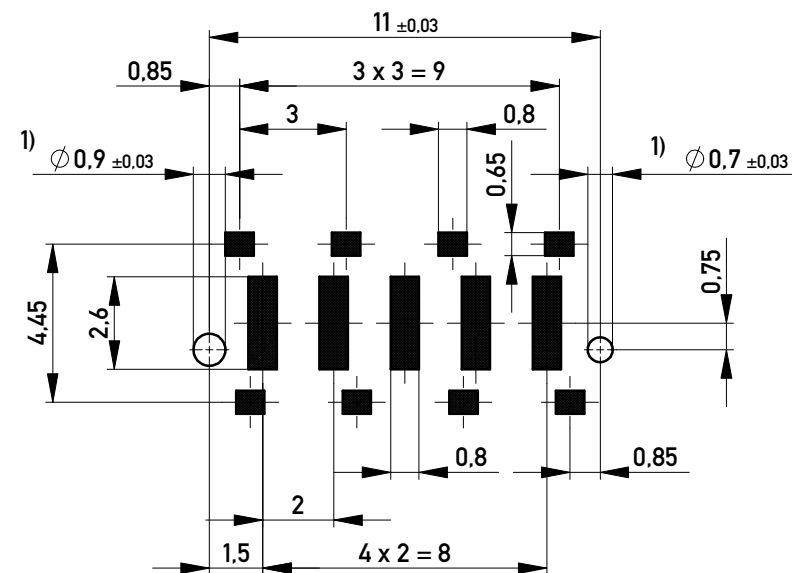
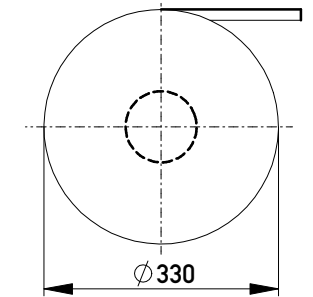


Leiterplatten-Layout Vorschlag / PCB-layout proposal

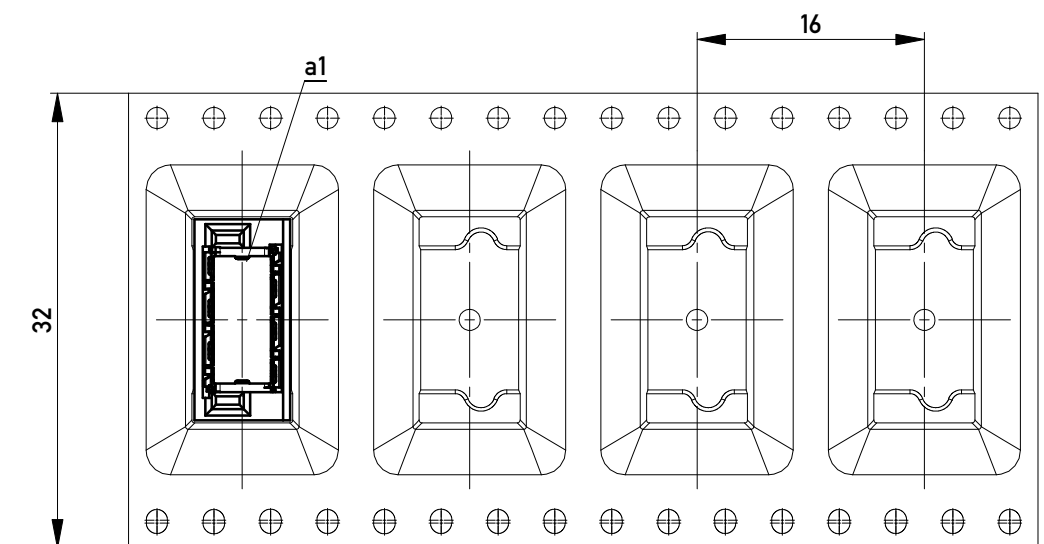


1) Durchmesser des Bohrers / drill tool

Verpackt in Gurtverpackung
Tape on Reel Packaging
Verpackungseinheit: 220 Stück
Packaging unit: 220 pcs



Abspulrichtung - Reel off Direction


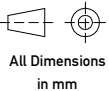


Anforderungsstufe 1
Performance Level 1

Kontaktbereich vergoldet
Mating Area gold plating

Anschlussbereich verzinnt 4-6µm
Terminal Area 4-6µm tin plating

Koplanarität der Anschlüsse ≤ 0.1mm
Coplanarity Area of Termination ≤ 0.1mm

Information: All rights reserved. Only for Information. To ensure that this is the latest version of this drawing, please contact one of the ERNI companies before using.	Tolerances All Dimensions in mm	Scale	5:1
		Designation	M10 MSpeed Blind Mate PM SMD
 www.ERNI.com		354281	I
		Class	MSPEED
e	10.09.2012		
Index	Date		

Copyright by ERNI GmbH
Proprietary notice pursuant to ISO 16016 to be observed.