

NOTES:

1. MATERIALS AND FINISH:
 BODY - BRASS, NICKEL PLATING
 CONTACT - BRASS, GOLD PLATING
 INSULATOR - PTFE
 GASKET-SILICONE RUBBER
 RETAINING RING-SUS 304

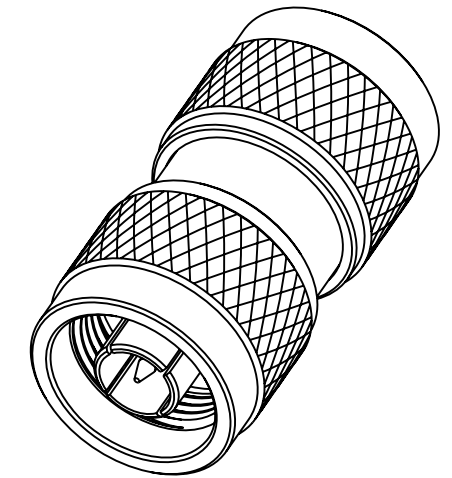
2. ELECTRICAL:
 A. IMPEDANCE: 50 OHM
 B. FREQUENCY RANGE: DC-11 GHz
 C. DIELECTRIC WITHSTANDING VOLTAGE: 2500 VRMS. MIN.

3. MECHANICAL:
 A. DURABILITY: 500 CYCLES MIN.
 B. TEMPERATURE RANGE: -65°C TO +165°C

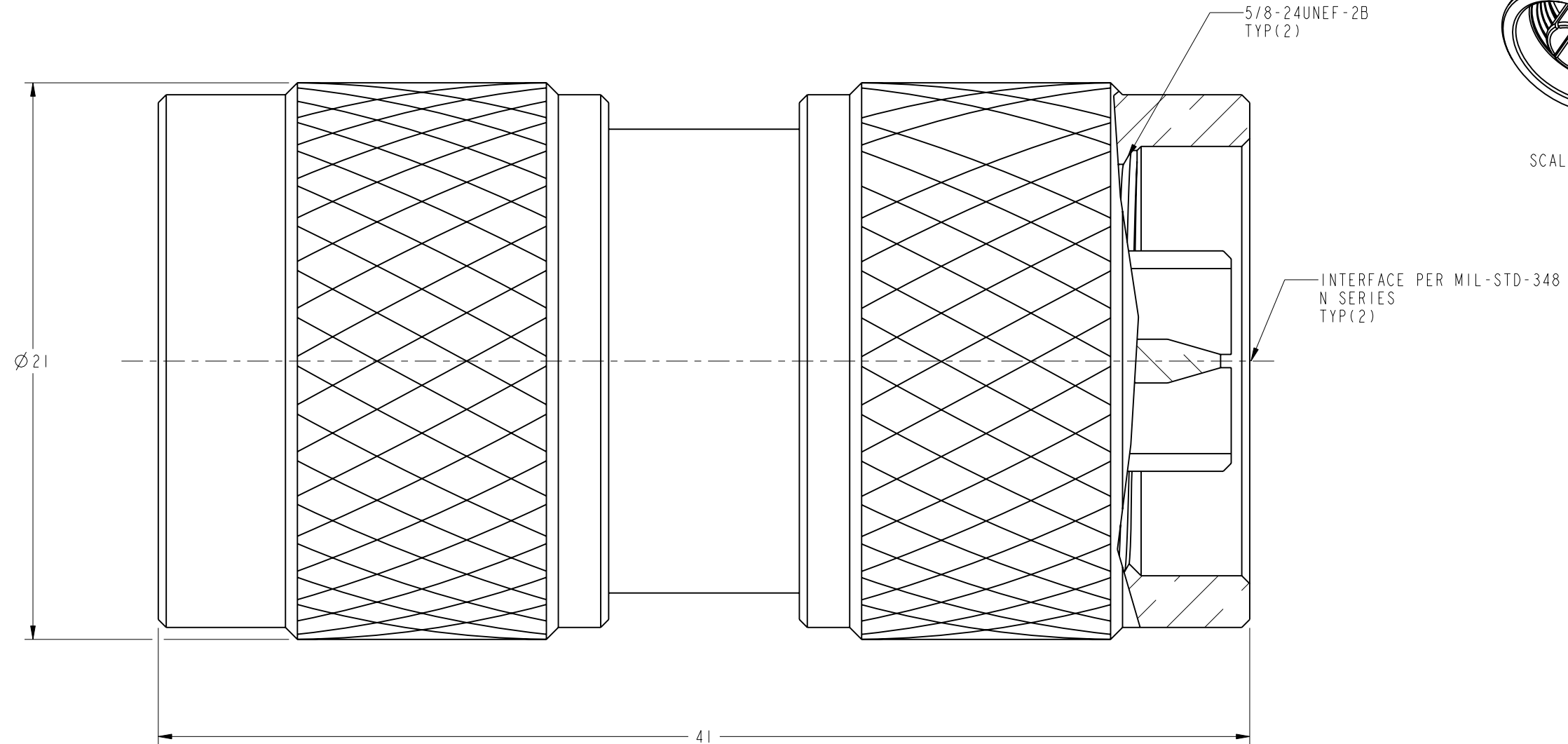
THIRD ANGLE PROJ.

REVISIONS

REV	DESCRIPTION	DATE	ECO	APPR
C	ADD THIS SHEET	30-Oct-15	50665	SH



SCALE 1.500



CUSTOMER OUTLINE DRAWING

ALL OTHER SHEETS ARE FOR INTERNAL USE ONLY

UNLESS OTHERWISE SPECIFIED, DIMENSIONS ARE IN METRIC AND TOLERANCES ARE:
 <0.5mm ±0.05mm 0.5 - 6mm ±0.1mm 6 - 30mm ±0.2mm 30 - 120mm ±0.3mm ANGLES ±1°

NOTICE - These drawings, specifications, or other data (1) are, and remain the property of Amphenol corp. (2) must be returned upon request; and (3) are confidential and not to be disclosed to any person other than those to whom they are given by Amphenol Corp. the furnishing of these drawings, specifications, or other data by Amphenol Corp., or to any other person to anyone for any purpose is not to be regarded by implication or otherwise in any manner licensing, granting rights to permitting such holder or any other person to manufacture, use or sell any product, process or design, patented or otherwise, that may in any way be related to or disclosed by said drawings, specifications, or other data.

MATERIAL	DRAWN	DATE	TITLE	Amphenol RF
	M. DONG	18-Sep-15		
REFERENCE	ENGINEER	DATE	N M-M ADAPTOR UG57B/U TYPE 50 OHM	www.amphenolrf.com
	S. DUAN	18-Sep-15		
CONFIGURATION LEVEL:	APPROVED	DATE	SCALE: 5.0:1.0	SHEET 2 OF 2
	S. SHEIH	18-Sep-15	DWG SIZE	REV
FINISH	CAD FILE		B	C
				DRAWING NO. N2071A1-NT3G-50
				ITEM NO. 032071AAAAINA5F
				PART NO. 82-100-RFX