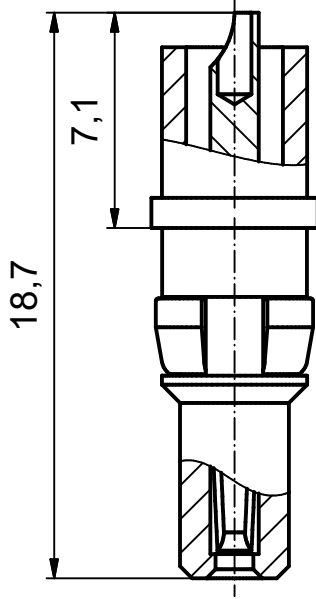




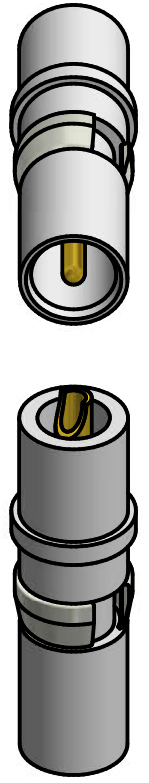
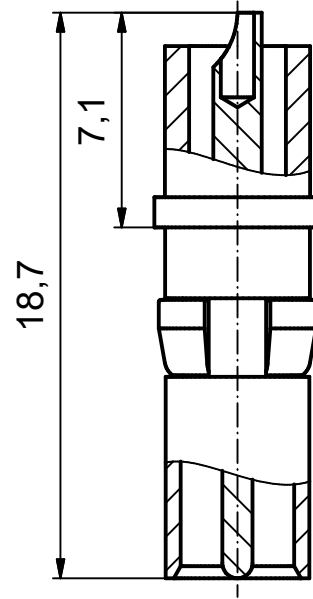
PLUG CONTACT: 131□14019X

ⓐ SHOULD BE USED FOR D-SUB COMBINATION MALE CONNECTORS

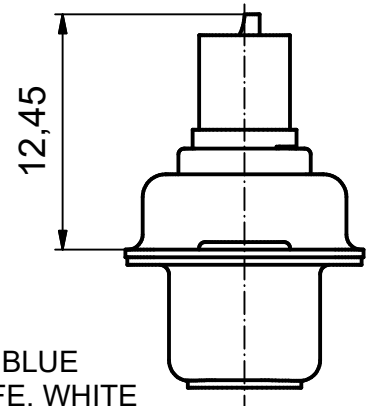


SOCKET CONTACT: 132□14019X

ⓐ SHOULD BE USED FOR D-SUB COMBINATION FEMALE CONNECTORS

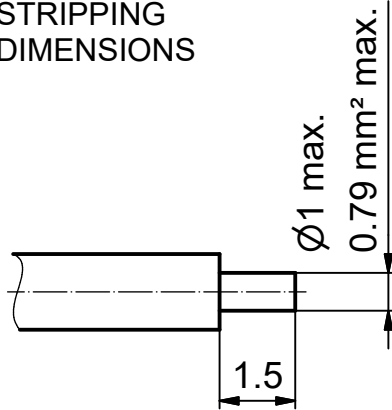


INSTALLATION DIMENSION



RoHS compliant

STRIPPING DIMENSIONS



ⓐ ⓑ NOTES:

- INSULATOR:
PLUG CONTACT: PTFE, BLUE
SOCKET CONTACT: PTFE, WHITE
- CONTACT: COPPER ALLOY,
PLATING CONTACT AREA:
□ = A: GOLD FLASH OVER NICKEL
□ = J: 50 µin HARD GOLD OVER NICKEL
- SOLDER CUP ACCEPTS CABLE AWG 20
- RETAINING RING: COPPER ALLOY, NICKEL PLATED
- PLUG CONTACT MAY ONLY BE MOUNTED IN D-SUB COMBINATION MALE CONNECTORS, SOCKET CONTACT MAY ONLY BE MOUNTED IN D-SUB COMBINATION FEMALE CONNECTORS

THIS DRAWING MAY NOT BE COPIED OR REPRODUCED IN ANY WAY, AND MAY NOT BE PASSED ON TO A THIRD PARTY WITHOUT WRITTEN PERMISSION. OWNERSHIP AND COPYRIGHT OF CONEC GmbH

DO NOT ALTER CAD DRAWING BY HAND

				tolerance		scale:	4:1
					dim. in mm	material:	SEE NOTES
				date	name	title:	
				drawn 07.05.2002	Parei	HIGH VOLTAGE PLUG + SOCKET CONTACT	
				appd. 07.05.2002	E. Mickenbecker	solder termination straight	
				norm		for D-SUB COMBINATION CONNECTORS	
3 x c	Ä21-007	21.01.2021	JLE	d-old		dwg no:	DIN-A4
1 x b	Ä3527	14.12.2009	Henneb.			13K1A568	sh: 1
a	Original						
rev.	description	date	name			part no:	SEE DRAWING