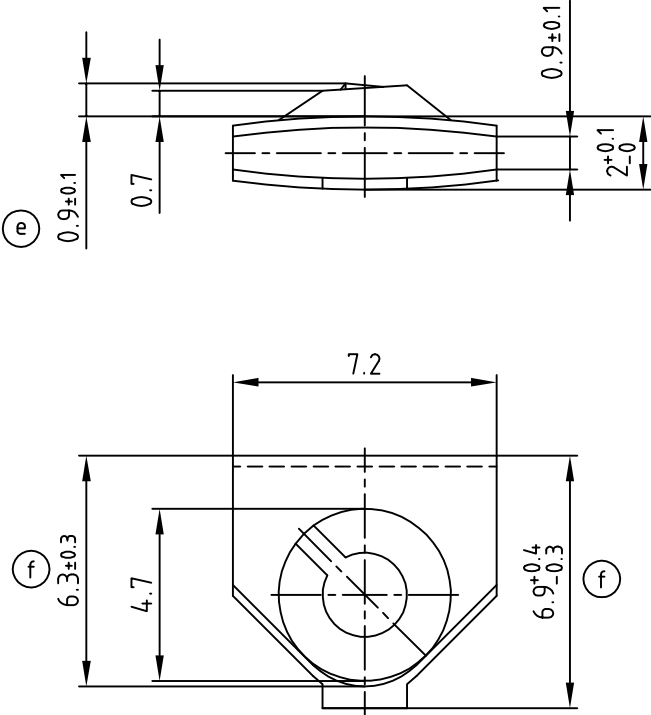
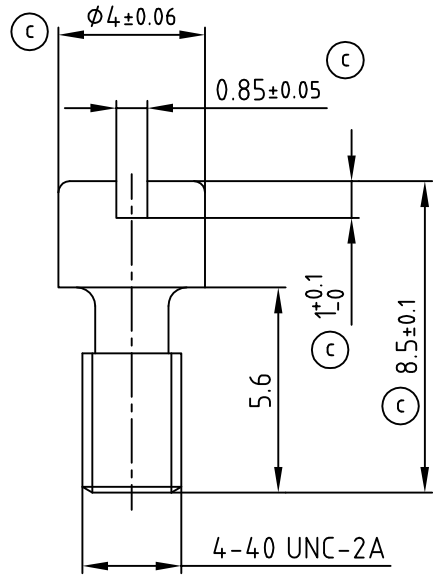


used for: D-SUB

RETAINING CLIP



MALE SCREW



Directive 2002/95/EC RoHS compliant

NOTES
 SET QUANTITY:
 2x MALE SCREW: STAINLESS STEEL (b) (c)
 2x RETAINING CLIP: STAINLESS STEEL

THIS DRAWING MAY NOT BE COPIED OR REPRODUCED IN ANY WAY, AND MAY NOT BE PASSED ON TO A THIRD PARTY WITHOUT WRITTEN PERMISSION.
 OWNERSHIP AND COPYRIGHT OF CONEC GmbH
 DO NOT ALTER CAD DRAWING BY HAND

rev.	description	date	name	tolerance		
				ISO 2768-m (c)		
		1995		date	name	
2 x f	Ä 5051	14.01.2014	Lehm.	appd.	25.07.	Barcinski
1 x e	Ä 4139	25.10.2011	Gitinow	norm		
1 x d	Ä 1613	21.08.2002	Parei	d-old	16K11N3A	
"c"	Ä 1415	07.01.2002	Mankopf			
"b"	Ä 1094	13.01.2000	Bar.			

scale:	5:1	
material:	SEE NOTES	
title:	Male Screw Retainers for Metal-Shell Connectors	
dwg no:	CAD/ REL.14	DIN-A 4
product no:	(d) 160X00470A	sh: 1/1

