

(b) Technical specification:

Technische Daten:

Temperature range/ - 35 °C ... + 90 °C
 Temperaturbereich:

Materials/

Werkstoffe:

Cover half/ GD-Zn, Ni
 Haubenhälfte:

Cable strain relief/ Steel, Ni
 Kabel Zugentlastung:

Cable sleeve/ Rubber
 Kabeltülle:

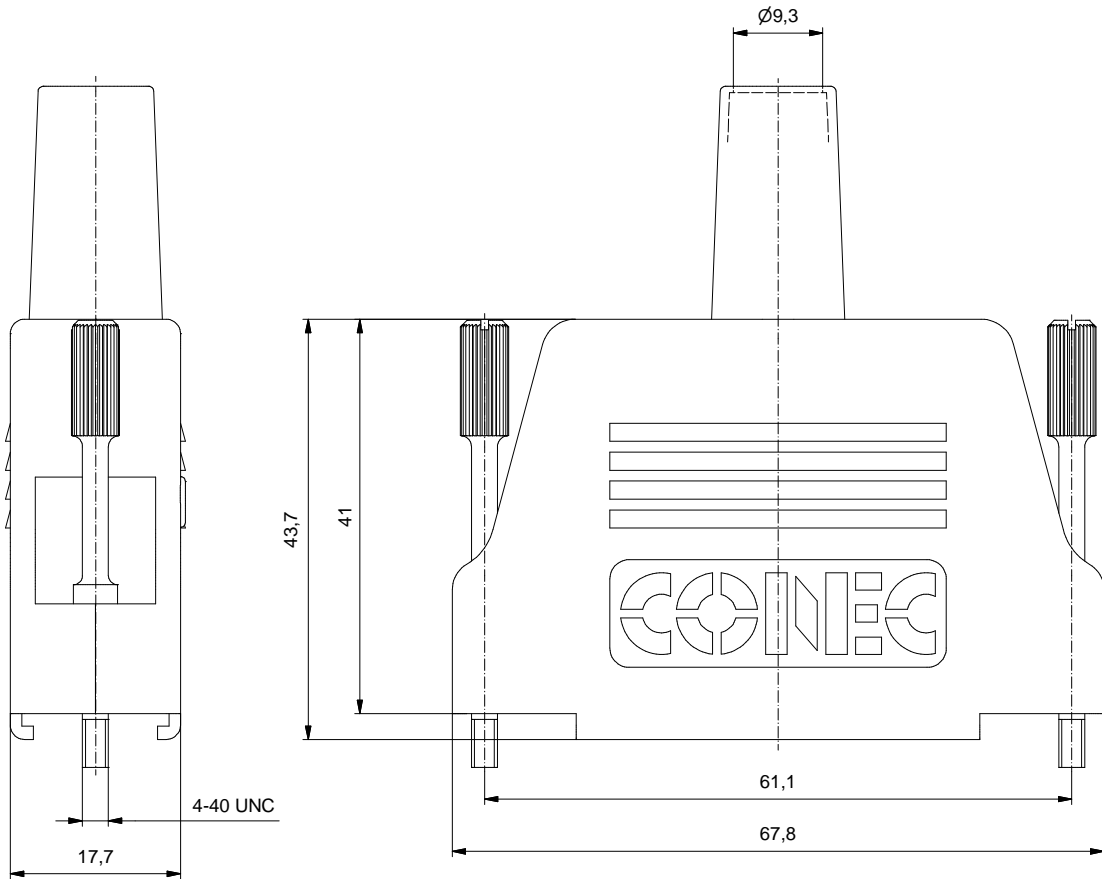
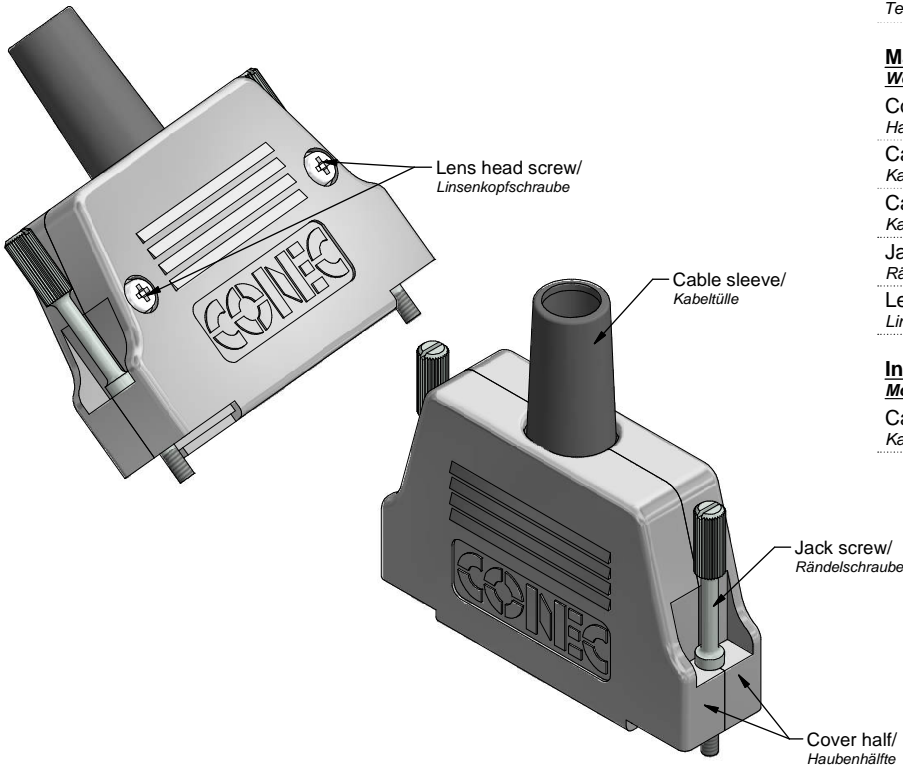
Jack screw/ Steel, Ni
 Rändelschraube:

Lens head screw/ Steel, Ni
 Linsenkopfschraube:

Installation specification/

Montagedaten:

Cable outlet/ straight/ gerade
 Kabelausgang:



Part no./ Art.-Nr.	
165X17349X	Bulk package/ Massenverpackung
165X17349XE	Single package/ Einzelverpackung

Index: b Ä7223 16.04.18 L.U. Status: InBearbeitung RoHS compliant/konform	scale/ Maßstab: 2:1		dim. in mm Full metal hood 50pos. with straight cable exit Vollmetallhaube 50pol. mit gradem Kabelausgang	
			dwg no / Z.-nr.:	16K1A4050
			DIN-A3	1 / 1

The reproduction, distribution and utilization of this document as well as the communication of its contents to others without express authorization is prohibited. Offenders will be held liable for the payment of damages. We reserve the right to withdraw advertising and notices, to change specifications and to change specifications without notice.