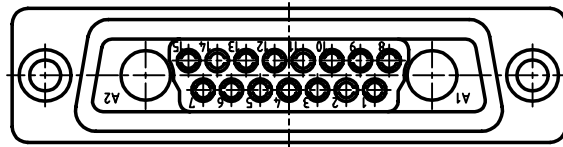
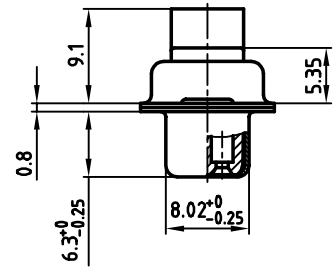
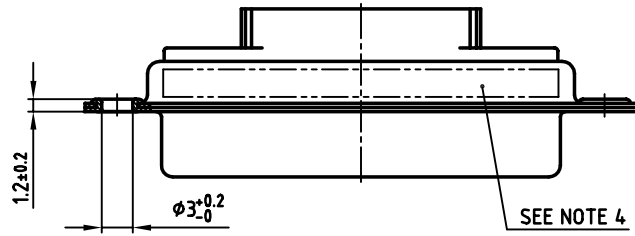
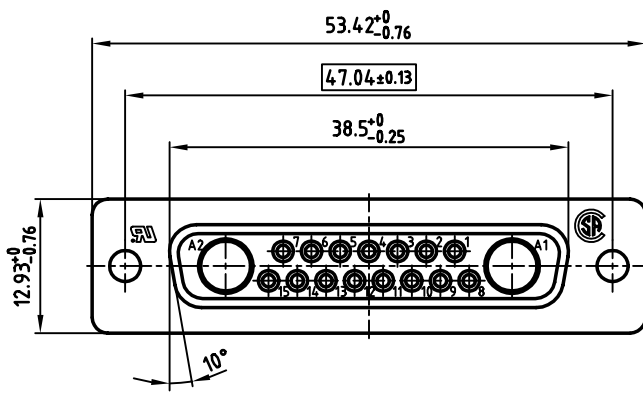


used for: D-SUB COMBINATION CRIMP



**NOTES:**

- 1. METALSHELLS: STEEL; min. 320µ" TIN
- 2. INSULATORS: PBT GF UL 94 V-0, BLACK
- 3. [ ] = CRITICAL DIMENSION: SPC
- 4. CONNECTOR IS PART MARKED: PART NO: CONEC Y/WW

Directive 2002/95/EC  
"RoHS"  
Compliant

THIS DRAWING MAY NOT BE COPIED OR REPRODUCED IN ANY WAY, AND MAY NOT BE PASSED ON TO A THIRD PARTY, WITHOUT WRITTEN PERMISSION. OWNERSHIP AND COPYRIGHT OF CONEC GmbH DO NOT ALTER CAD DRAWING BY HAND

rev.	description	date	name

tolerance

scale: 2:1

material: SEE NOTES

title: **D-SUB COMBINATION FEMALE**  
17W2S CRIMP STYLE

dwg no: AutoCAD 2000

**CONEC**

part no: 3017W2SXK99A10X

2002	date	name	title: <b>D-SUB COMBINATION FEMALE</b> 17W2S CRIMP STYLE
drawn	07.08.	Schmidt	
appd.	07.08.	Mickenbecker	
norm			
d-old			dwg no: AutoCAD 2000
			DIN-A
			3
			sh: 1/1