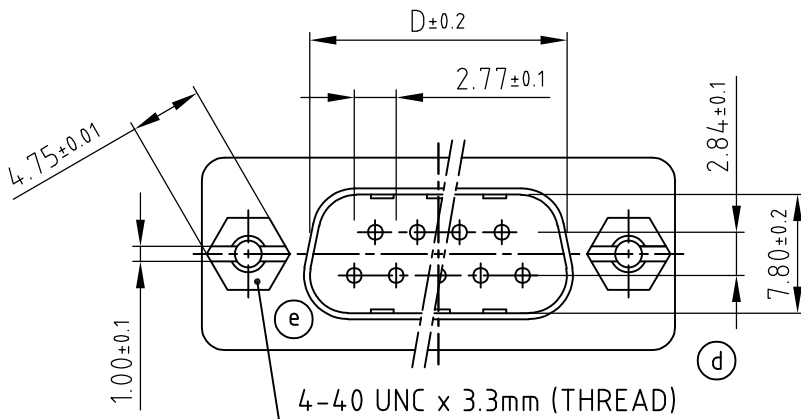
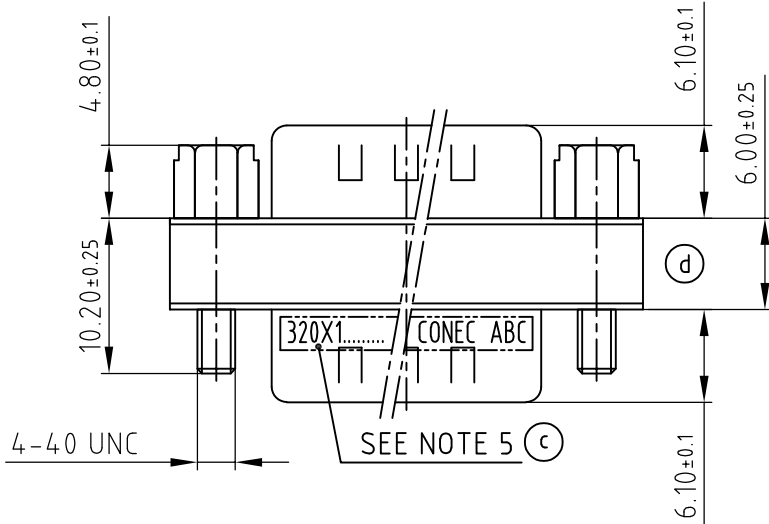


POS.	A ± 0.25	B ± 0.15	C ± 0.2	D ± 0.2	Part NO.
9	31.11	25.00	16.92	16.92	320X12509X
15	39.51	33.28	25.25	25.25	320X12529X
25	53.35	47.04	39.06	39.06	320X10549X
37	69.65	63.50	55.42	55.42	320X12549X



- (d) (c) SPECIFICATION:
1. SHELL: TIN PLATED SHELL
  2. INSULATOR: PBT GLASS  
FIBRE REINFORCED UL 94 V0 (b) (d)
  3. CONTACTS: BRASS,  
PLATING: GOLD FLASH over NICKEL  
(f) GOLD FLASH over NICKEL
  4. CONNECTOR IS PART MARKED:  
PART-NO. CONEC ABC
  - (f) 5. CURRENT RATING: 1,5 A
  - (f) 6. OPERATING TEMPERATURE:  
-25 °C ... +85 °C

RoHS compliant

THIS DRAWING MAY NOT BE COPIED OR REPRODUCED IN ANY WAY, AND MAY NOT BE PASSED ON TO A THIRD PARTY WITHOUT WRITTEN PERMISSION. OWNERSHIP AND COPYRIGHT OF CONEC GmbH DO NOT ALTER CAD DRAWING BY HAND

rev.	description	date	name	General tolerance	dim. in mm
3 x f	Ä21-0102	23.02.2022	ABU	X ± 0.2 XX ± 0.15 XXX ± 0.05	
1 x e	Ä4765	28.05.2013	K.H.	2002	date name
6 x d	Ä4520	30.10.2012	Lehm.	drawn 30.04.	Parei
2 x c	Ä4459	13.09.2012	Lehm.	appd. 30.04.	E.Mickenbecker
1 x b	Ä2202	07.04.2005	HS	norm	
a	Original			d-old	



scale:	2:1
material:	SEE SPECIFICATION
title:	GENDER CHANGER 2 x PLUG CONNECTOR 9-37pos.
dwg no:	16K1A557
part no:	SEE TABLE
DIN-A	3
sh:	1/1