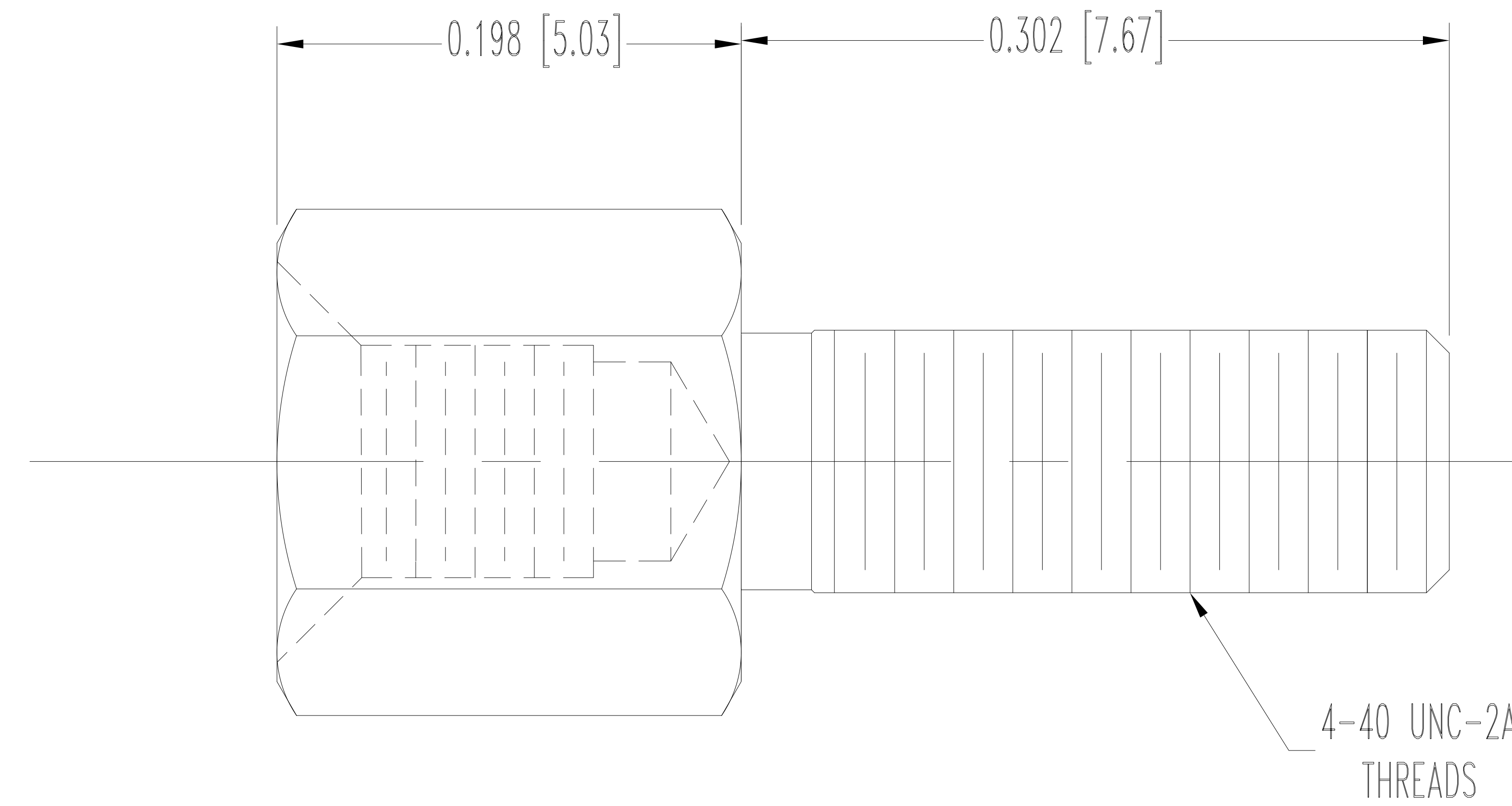
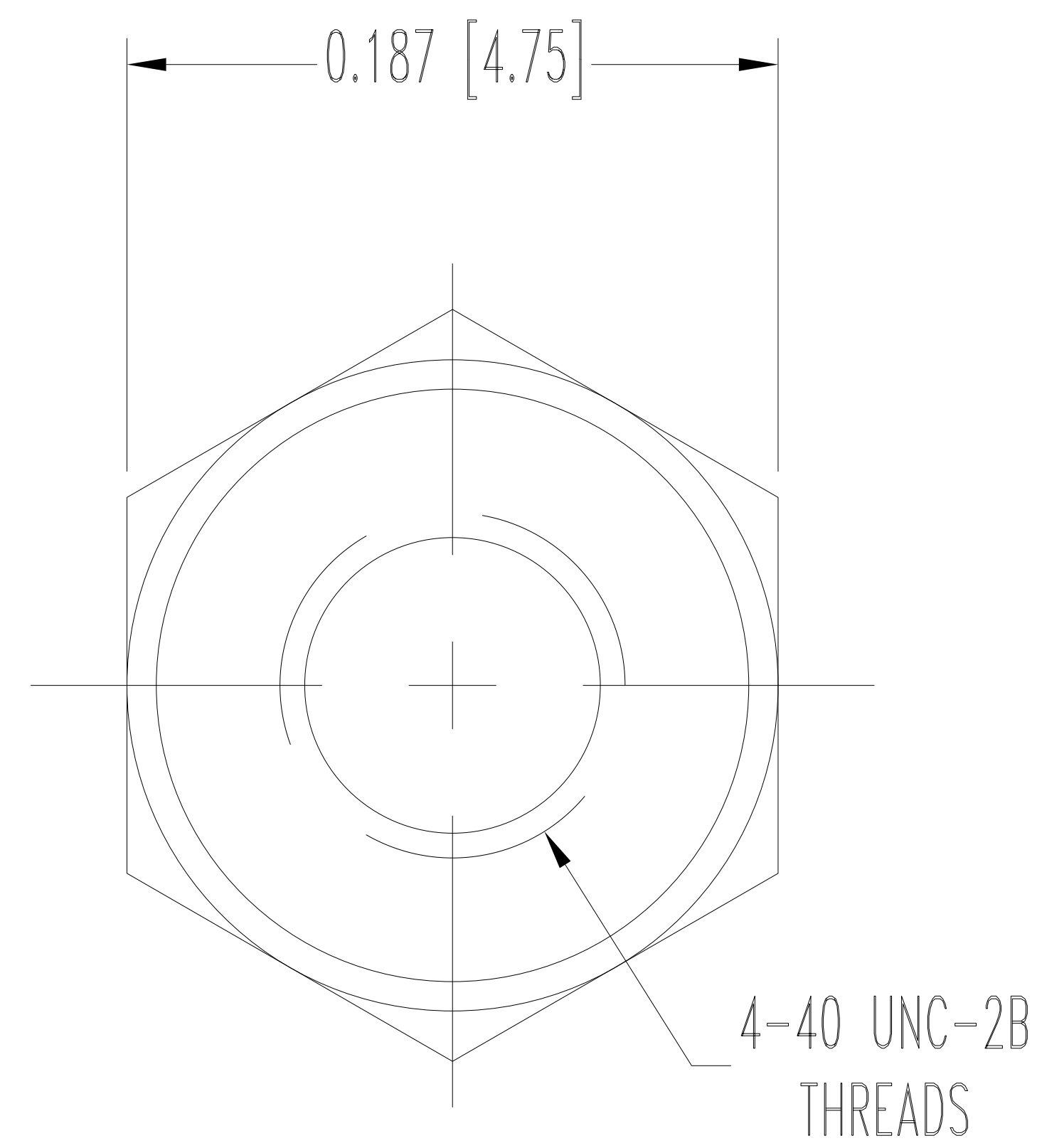


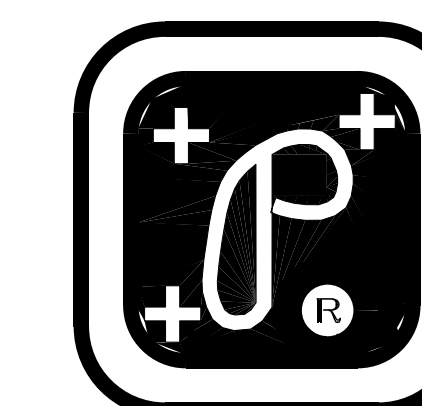
THIS DRAWING CONTAINS INFORMATION PROPRIETARY TO POSITRONIC AND IT'S SUBSIDIARIES. POSITRONIC BELIEVES THE DATA ON THIS DRAWING TO BE RELIABLE, SINCE THE TECHNICAL INFORMATION IS GIVEN FREE OF CHARGE, THE USER EMPLOYS SUCH INFORMATION AT HIS OWN DISCRETION AND RISK. POSITRONIC ASSUMES NO RESPONSIBILITY FOR RESULTS OBTAINED OR DAMAGES INCURRED FROM USE OF SUCH INFORMATION IN WHOLE OR IN PART.

DATE	REV	REVISION RECORD	APP	DR	CK
04-04-20	A	ECO 73738	RK	AP	AB

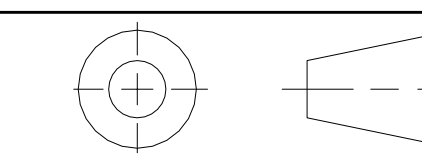


NOTES:

1. MATERIAL AND FINISH:
JACKSCREW: STEEL, TIN PLATE.
2. COMPONENTS ARE COMPLIANT TO THE CURRENT RoHS DIRECTIVE.
3. DIMENSIONS ARE IN INCHES [MILLIMETERS]



POSITRONIC
INDUSTRIES INC.
SPRINGFIELD, MISSOURI 65801



DECIMAL TOL.
± 0.015 [0.38]

D SERIES

SCALE
N.T.S.

DRAWN BY
AP
APPROVED BY
RK

TITLE
A4538-1-0-32

ANGULAR TOL.
± 5°

DATE
04-04-20

DRAWING NUMBER
A4538-1-0-32
REV.
A