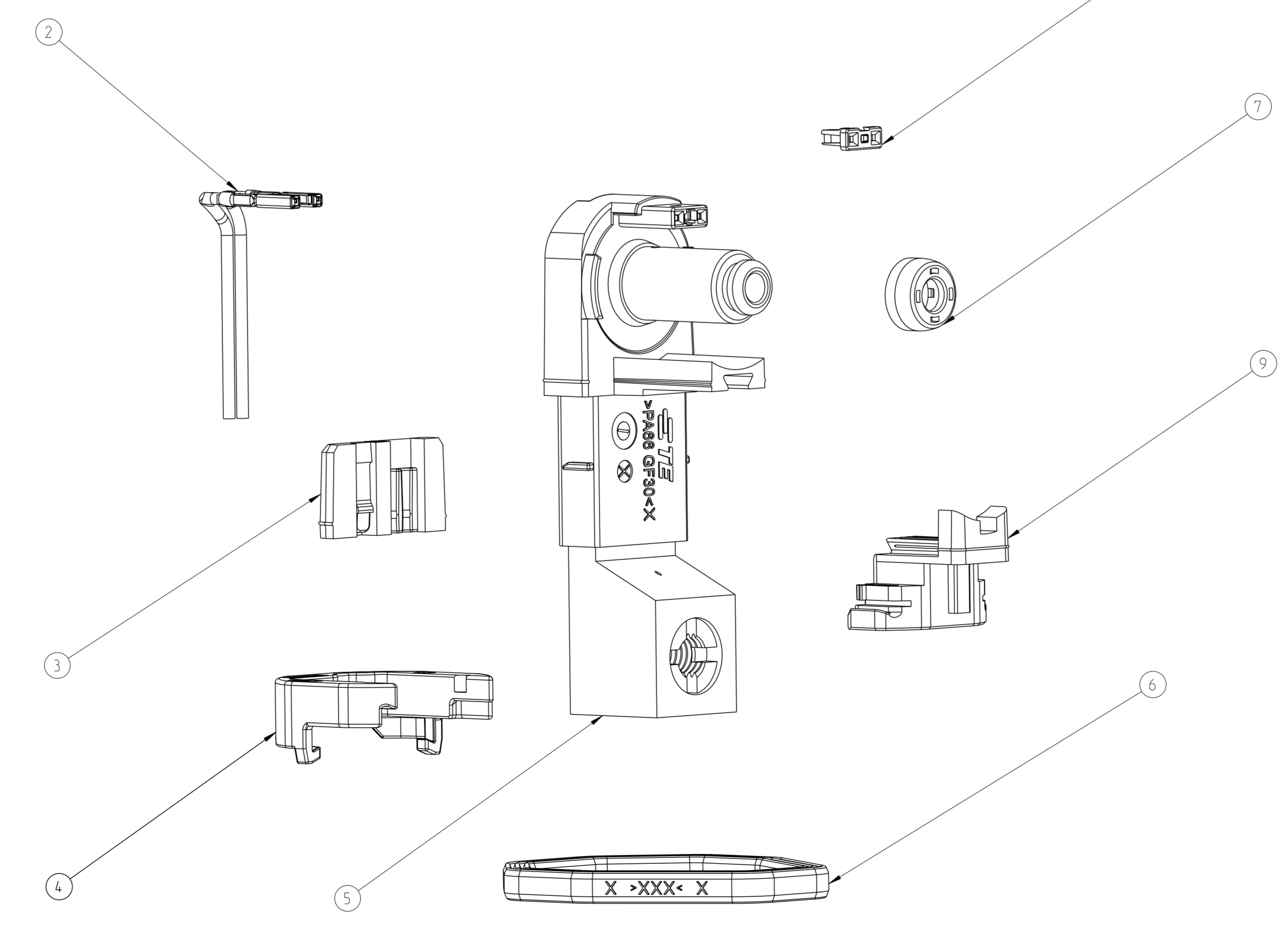
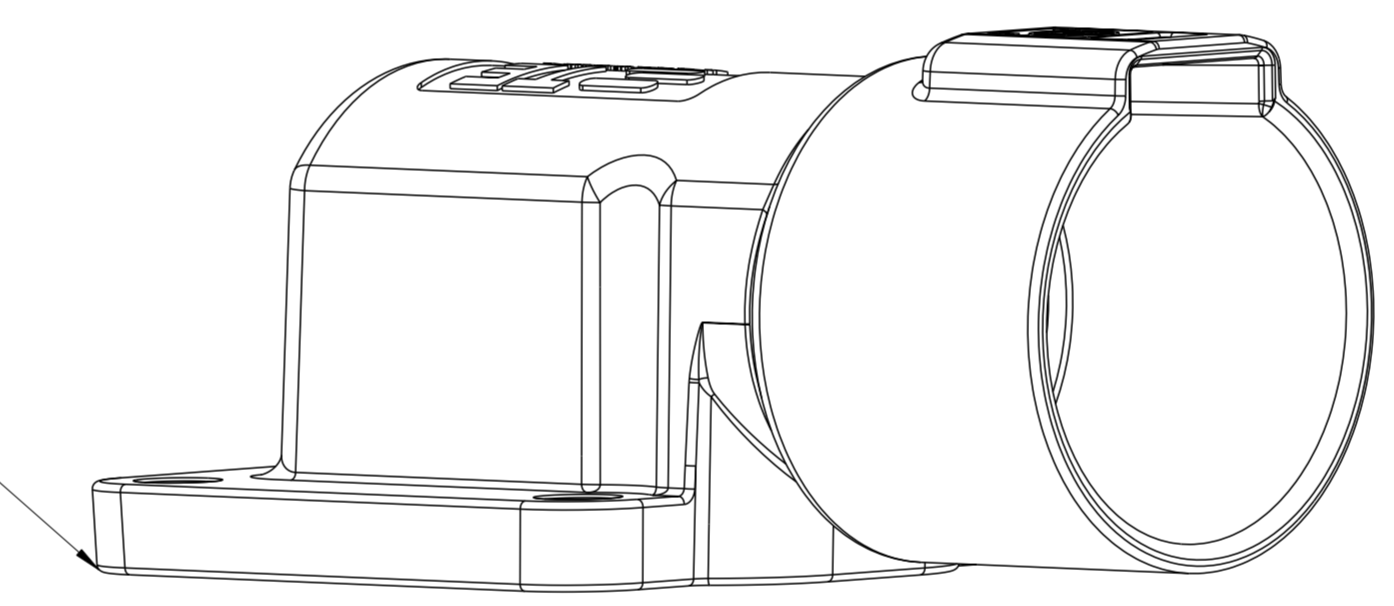
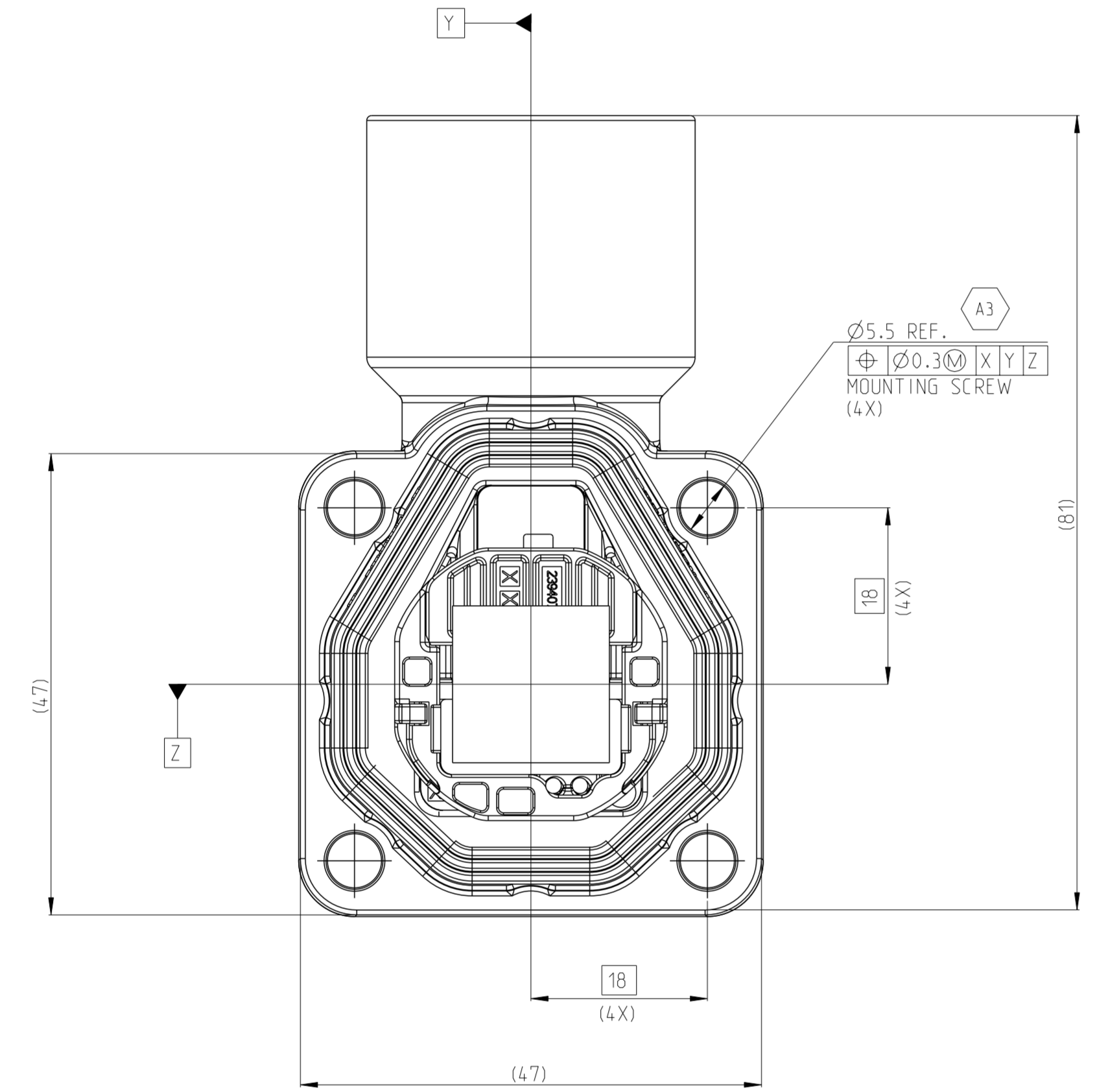
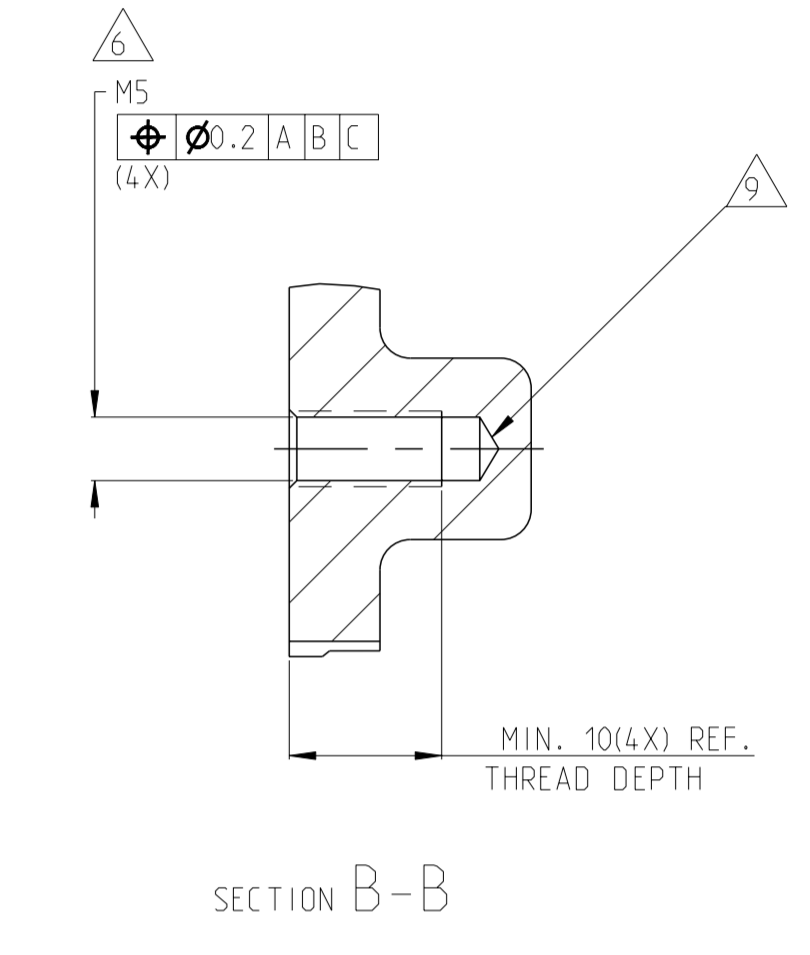
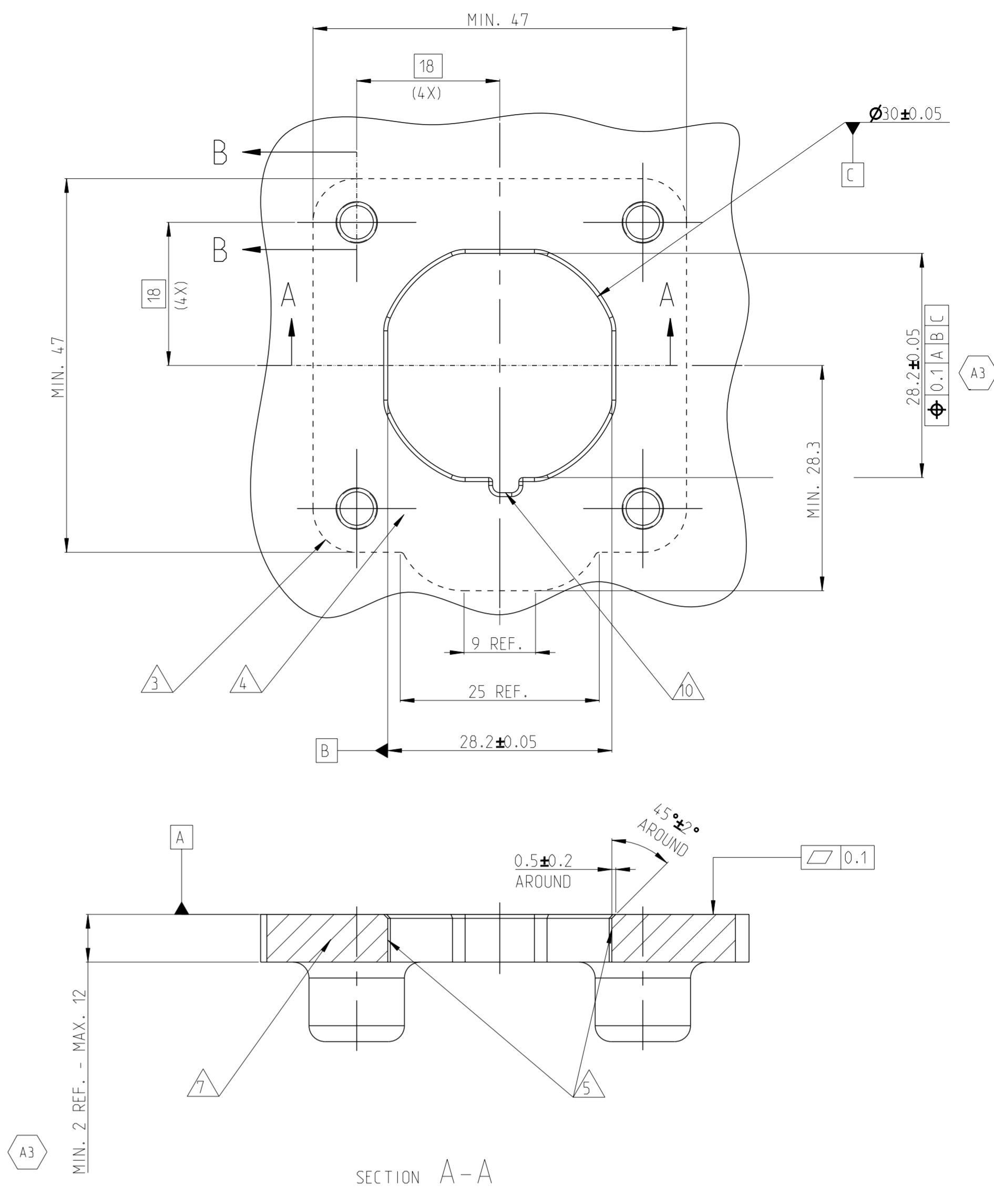
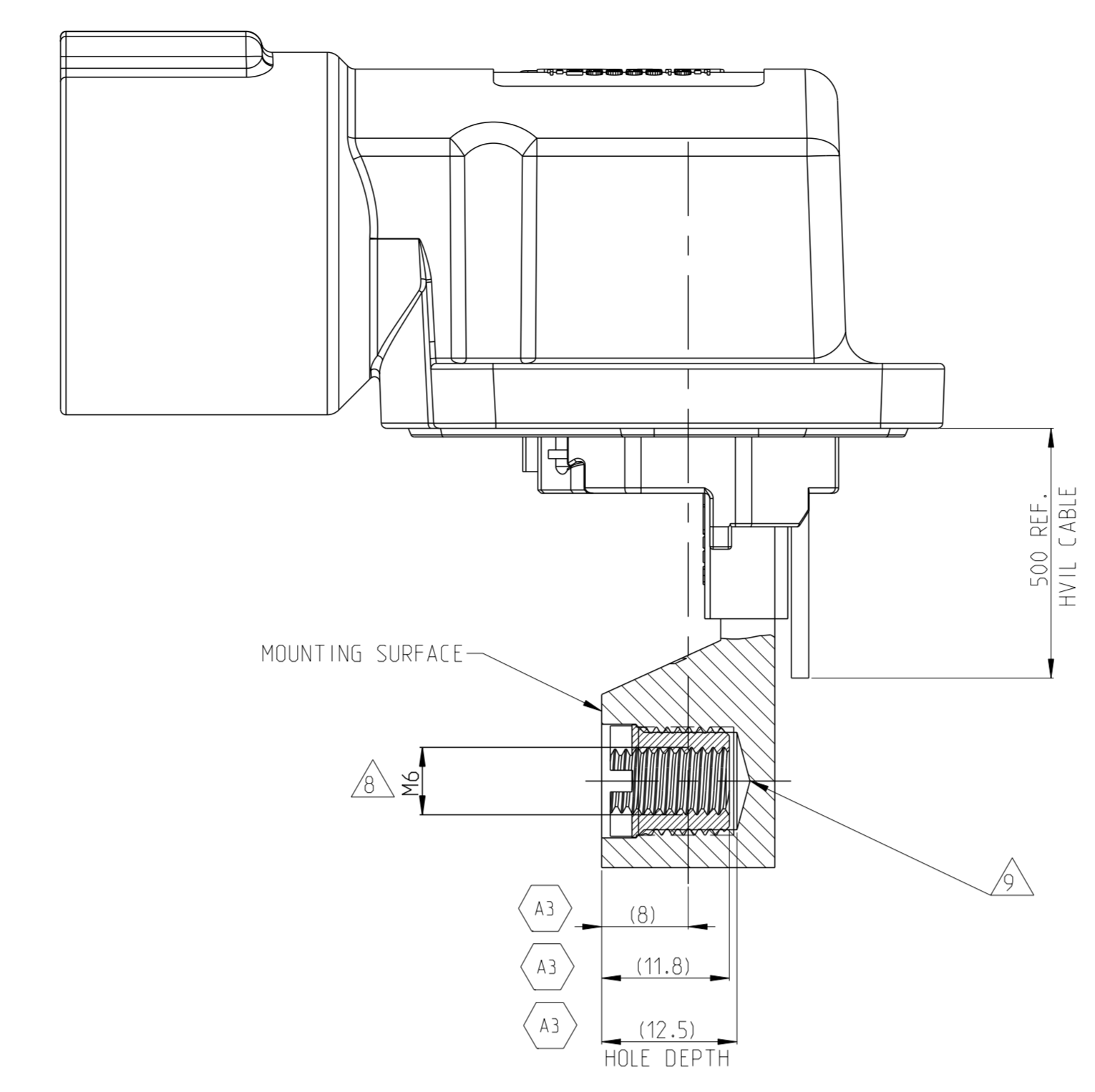
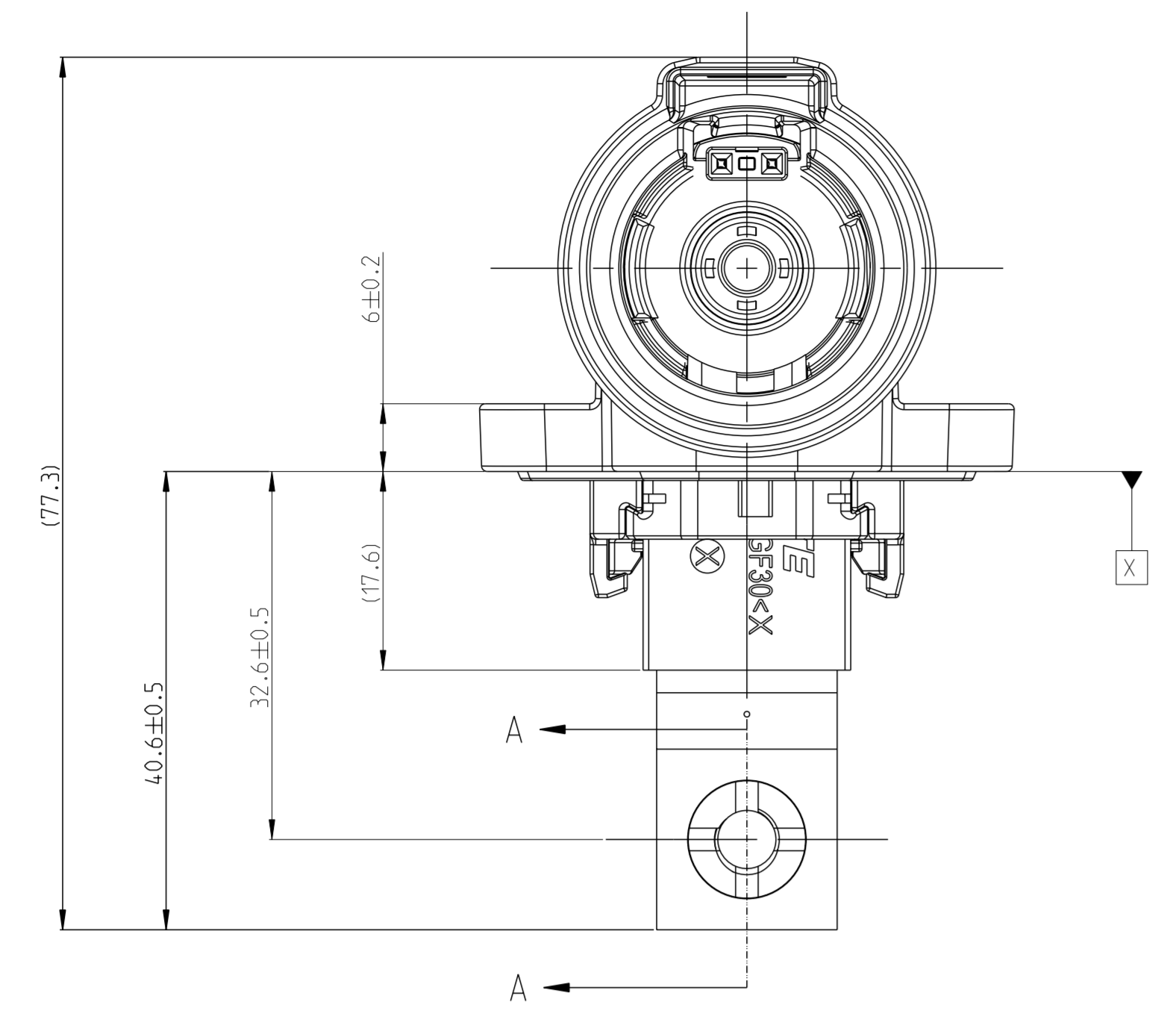
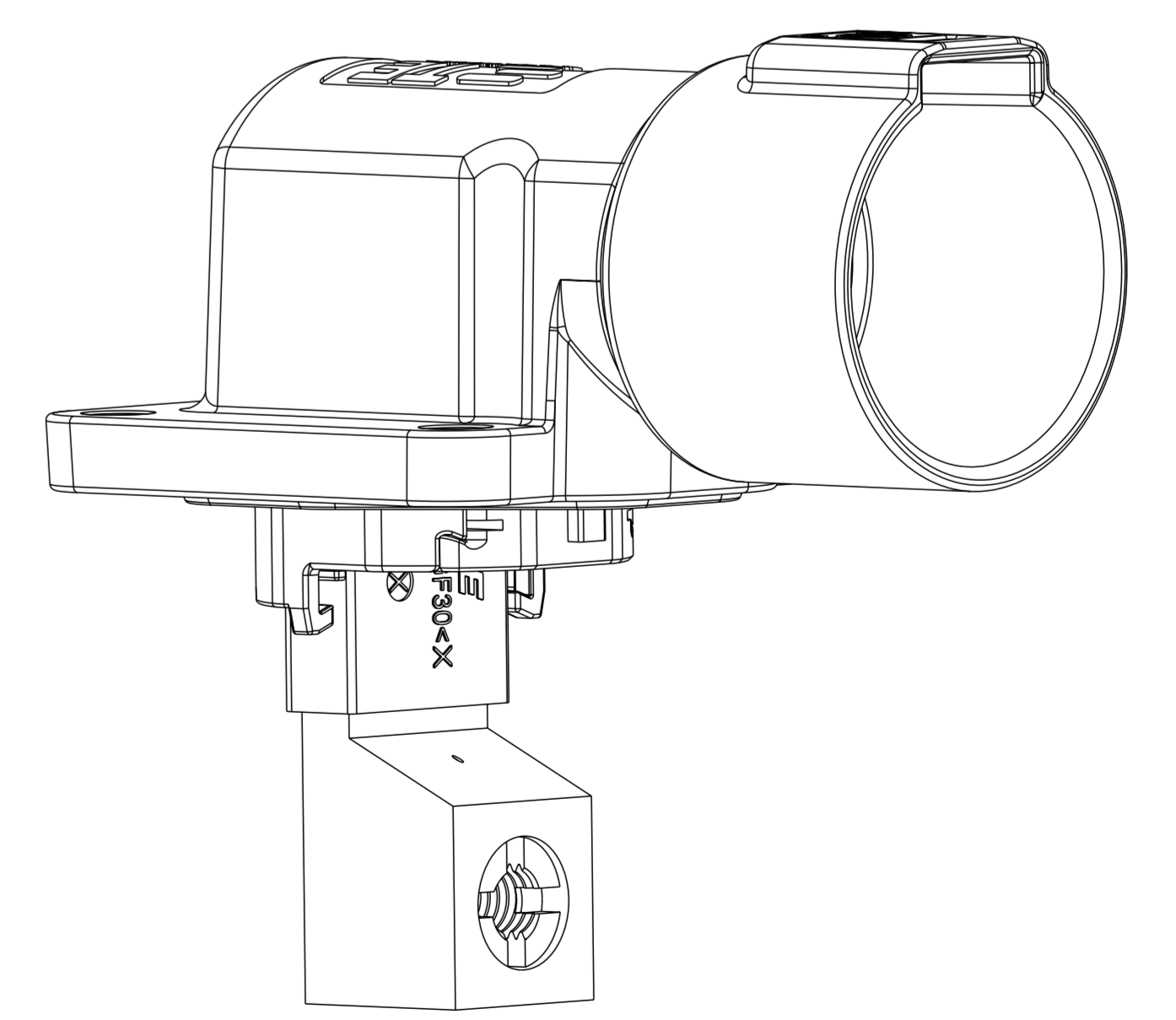


REVISIONS			
REV	DATE	BY	APPD
A2	26AUG2021	N.S	1.Y
A3	28AUG2022	C.C	2.Z

ADAPTER PLATE - HVP-HD1000 1POS HEADER INTERFACE



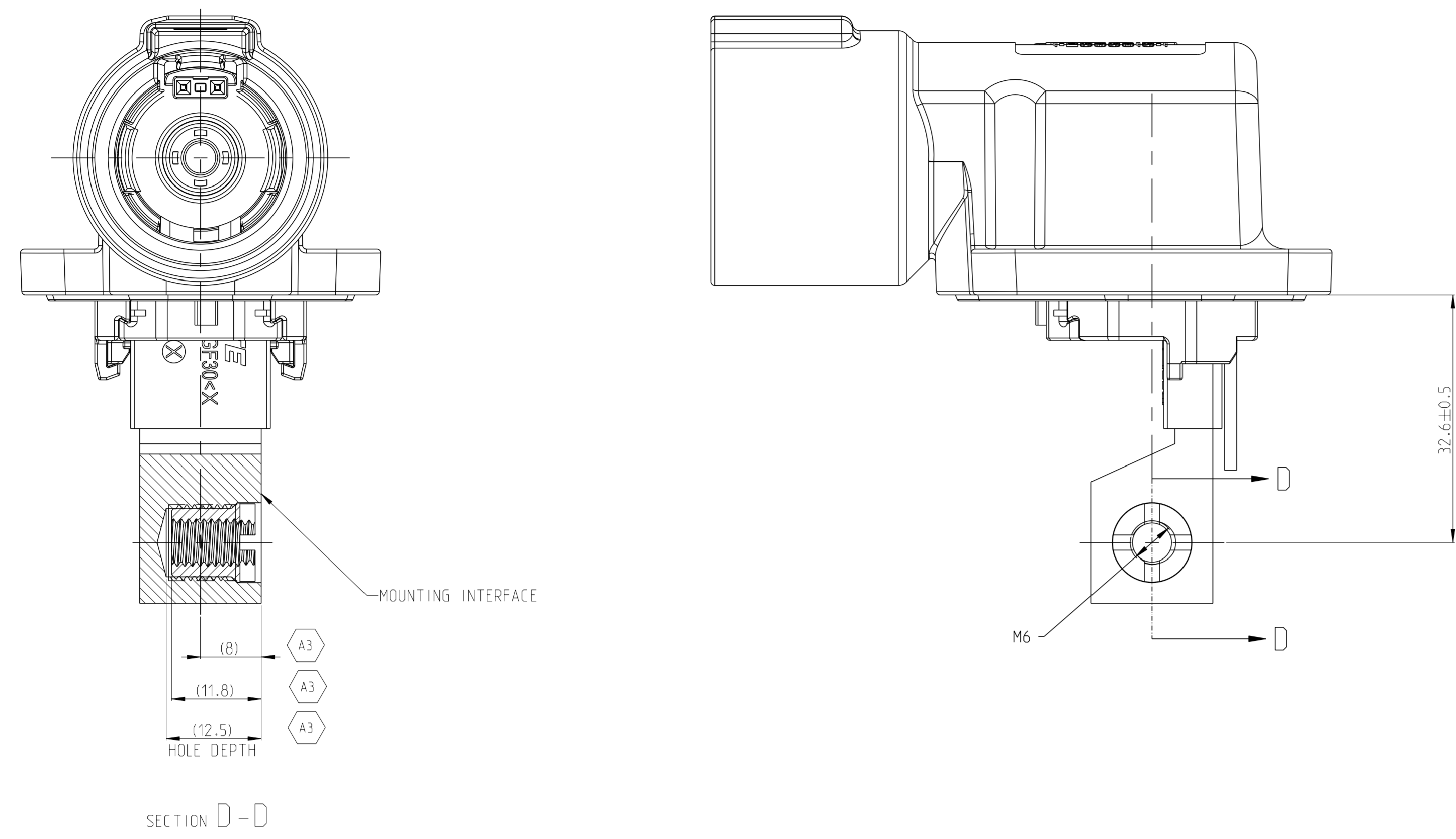
- 1. MATING CONNECTOR REFER TO DRAWING 2394115
- △ CODING VARIANT
- △ FREE SPACE FOR HEADER
- △ SEALING AREA: NO BURR, TOOL PARTING, SHRINKAGE, CAVITIES AND GATE MARKS PERMITTED. SURFACE ROUGHNESS: Ra<=1.6
- △ DRAFT ANGLE UP TO 0.5° PERMITTED
- △ MOUNTING SCREW M5, SCREW TYPE UP TO MANUFACTURER, DRILL HOLE DESIGN ACCORDING TO SCREW TYPE
- △ MATERIAL: CORROSION RESISTANT, ELECTROCONDUCTIVE
- △ SCREW M6 FOR BUSBAR CONNECTION
- △ ALL THREAD HOLES ARE BLIND HOLES
- △ INTERFACE PANEL CODE SEE SHEET 5



TE-ASSY-NO.	CODE	DESCRIPTION	DESCRIPTION	CODE	MATERIAL	SURFACE COLOR	WEIGHT (g)	QTY	ITEM
1-2394070-3	M	1POS,PIN DIA 10.0 HDR ASSY,90DEG	CODE HOUSING FOLLOW 2394070-1	M	PA66-GF	AQUA RED	(165)	1	9
1-2394070-2	L	1POS,PIN DIA 10.0 HDR ASSY,90DEG	CODE HOUSING FOLLOW 2394070-1	L	PA66-GF	AQUA BROWN	(165)	1	9
1-2394070-1	K	1POS,PIN DIA 10.0 HDR ASSY,90DEG	CODE HOUSING FOLLOW 2394070-1	K	PA66-GF	AQUA GREEN	(165)	1	9
2394070-9	J	1POS,PIN DIA 10.0 HDR ASSY,90DEG	CODE HOUSING FOLLOW 2394070-1	J	PA66-GF	ORANGE	(165)	1	9
2394070-8	H	1POS,PIN DIA 10.0 HDR ASSY,90DEG	CODE HOUSING FOLLOW 2394070-1	H	PA66-GF	YELLOW	(165)	1	9
2394070-7	G	1POS,PIN DIA 10.0 HDR ASSY,90DEG	CODE HOUSING FOLLOW 2394070-1	G	PA66-GF	RED	(165)	1	9
2394070-6	F	1POS,PIN DIA 10.0 HDR ASSY,90DEG	CODE HOUSING FOLLOW 2394070-1	F	PA66-GF	BROWN	(165)	1	9
2394070-5	E	1POS,PIN DIA 10.0 HDR ASSY,90DEG	CODE HOUSING FOLLOW 2394070-1	E	PA66-GF	GREEN	(165)	1	9
2394070-4	D	1POS,PIN DIA 10.0 HDR ASSY,90DEG	CODE HOUSING FOLLOW 2394070-1	D	PA66-GF	PURPLE	(165)	1	9
2394070-3	C	1POS,PIN DIA 10.0 HDR ASSY,90DEG	CODE HOUSING FOLLOW 2394070-1	C	PA66-GF	BLUE	(165)	1	9
2394070-2	B	1POS,PIN DIA 10.0 HDR ASSY,90DEG	CODE HOUSING FOLLOW 2394070-1	B	PA66-GF	NATURE	(165)	1	9
2394070-1	A	1POS,PIN DIA 10.0 HDR ASSY,90DEG	CODE HOUSING	A	PA66-GF	BLACK	(165)	1	9
			HEADER TPA	-	PA66-GF	RED		1	8
			FINGER PROTECTION CAP	-	PA66-GF	BLACK		1	7
			FACE SEAL	-	SILICONE	RED		1	6
			BUSBAR OVERMOLD,FRONT SIDE	-	-	-		1	5
			OUTER HOUSING	-	PA66-GF	BLACK		1	4
			INNER HOUSING	-	PA66-GF	BLACK		1	3
HV INTERLOCK TERMINAL	-	-	-	2	2				
HEADER HOUSING 90DEG,1POS	-	AL-ALLOY	NICKEL PLATED	1	1				

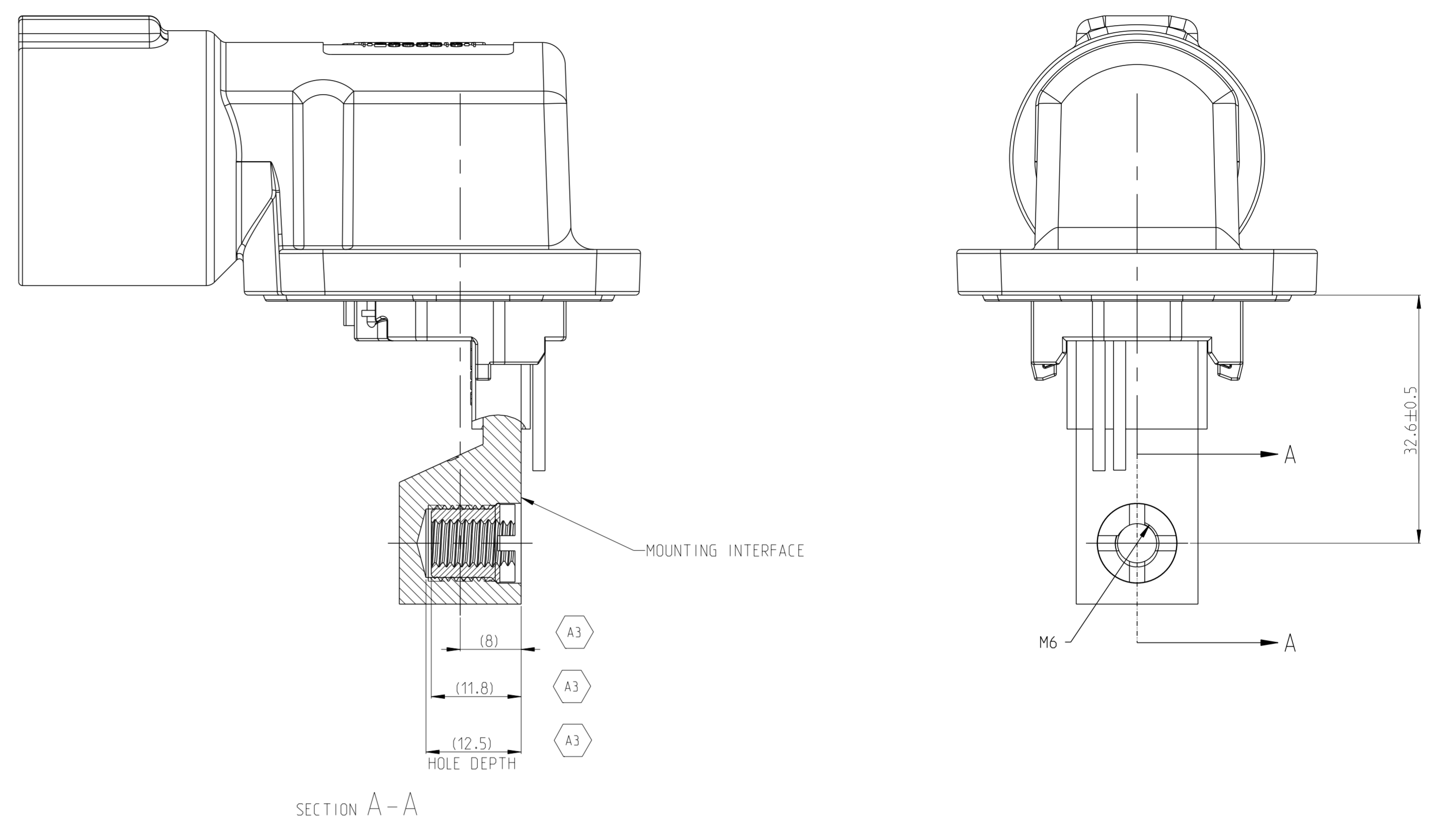
THIS DRAWING IS A CONTROLLED DOCUMENT.		DATE: 26AUG2021	BY: N.SHI	CHK: L.L.	DATE: 26AUG2021	APPD: J.VIN	DATE: 26AUG2021	REV: 1	DATE: 26AUG2021	BY: N.SHI	CHK: L.L.	DATE: 26AUG2021	APPD: J.VIN	DATE: 26AUG2021	REV: 1
DIMENSIONS:	UNIT:	ISO UNITS:	OPERATING TEMPERATURE:	PRODUCT SPEC:	APPLICATION SPEC:	WEIGHT:	SCALE:	FINISH SPEC:	CUSTOMER DRAWING:	TE Connectivity 1POS,PIN DIA 10.0 HDR ASSY,90DEG HVP-HD1000 108-160341 114-160181 00779 ©=2394070 SCALE: 2:1 SHEET 1 OF 5					

REVISIONS			
REV	DATE	BY	APPV
1			
SEE SHEET 1			



1.MISSING DIMENSION REFER TO 2394070-1

TE-ASSY-NO.	CODE	DESCRIPTION	DESCRIPTION	CODE	MATERIAL	SURFACE COLOR	WEIGHT (g)	QTY	ITEM
3-2394070-3	M	1POS.PIN DIA 10.0 HDR ASSY.90DEG	CODE HOUSING	M	PA66-GF	AQUA RED	(165)	1	9
			FOLLOW 2-2394070-1	-	-	-	-	-	1-8
3-2394070-2	L	1POS.PIN DIA 10.0 HDR ASSY.90DEG	CODE HOUSING	L	PA66-GF	AQUA BROWN	(165)	1	9
			FOLLOW 2-2394070-1	-	-	-	-	-	1-8
3-2394070-1	K	1POS.PIN DIA 10.0 HDR ASSY.90DEG	CODE HOUSING	K	PA66-GF	AQUA GREEN	(165)	1	9
			FOLLOW 2-2394070-1	-	-	-	-	-	1-8
2-2394070-9	J	1POS.PIN DIA 10.0 HDR ASSY.90DEG	CODE HOUSING	J	PA66-GF	ORANGE	(165)	1	9
			FOLLOW 2-2394070-1	-	-	-	-	-	1-8
2-2394070-8	H	1POS.PIN DIA 10.0 HDR ASSY.90DEG	CODE HOUSING	H	PA66-GF	YELLOW	(165)	1	9
			FOLLOW 2-2394070-1	-	-	-	-	-	1-8
2-2394070-7	G	1POS.PIN DIA 10.0 HDR ASSY.90DEG	CODE HOUSING	G	PA66-GF	RED	(165)	1	9
			FOLLOW 2-2394070-1	-	-	-	-	-	1-8
2-2394070-6	F	1POS.PIN DIA 10.0 HDR ASSY.90DEG	CODE HOUSING	F	PA66-GF	BRDWN	(165)	1	9
			FOLLOW 2-2394070-1	-	-	-	-	-	1-8
2-2394070-5	E	1POS.PIN DIA 10.0 HDR ASSY.90DEG	CODE HOUSING	E	PA66-GF	GREEN	(165)	1	9
			FOLLOW 2-2394070-1	-	-	-	-	-	1-8
2-2394070-4	D	1POS.PIN DIA 10.0 HDR ASSY.90DEG	CODE HOUSING	D	PA66-GF	PURPLE	(165)	1	9
			FOLLOW 2-2394070-1	-	-	-	-	-	1-8
2-2394070-3	C	1POS.PIN DIA 10.0 HDR ASSY.90DEG	CODE HOUSING	C	PA66-GF	BLUE	(165)	1	9
			FOLLOW 2-2394070-1	-	-	-	-	-	1-8
2-2394070-2	B	1POS.PIN DIA 10.0 HDR ASSY.90DEG	CODE HOUSING	B	PA66-GF	NATURE	(165)	1	9
			FOLLOW 2-2394070-1	-	-	-	-	-	1-8
2-2394070-1	A	1POS.PIN DIA 10.0 HDR ASSY.90DEG	CODE HOUSING	A	PA66-GF	BLACK	(165)	1	9
			HEADER TPA	-	PA66-GF	RED	-	1	8
			FINGER PROTECTION CAP	-	PA66-GF	BLACK	-	1	7
			FACE SEAL	-	SILICONE	RED	-	1	6
			BUSBAR OVERMOLD,RIGHT SIDE	-	-	-	-	1	5
			OUTER HOUSING	-	PA66-GF	BLACK	-	1	4
			INNER HOUSING	-	PA66-GF	BLACK	-	1	3
			HV INTERLOCK TERMINAL	-	-	-	-	2	2
			HEADER HOUSING 90DEG,1POS	-	AL-ALLOY	NICKEL PLATED	-	1	1



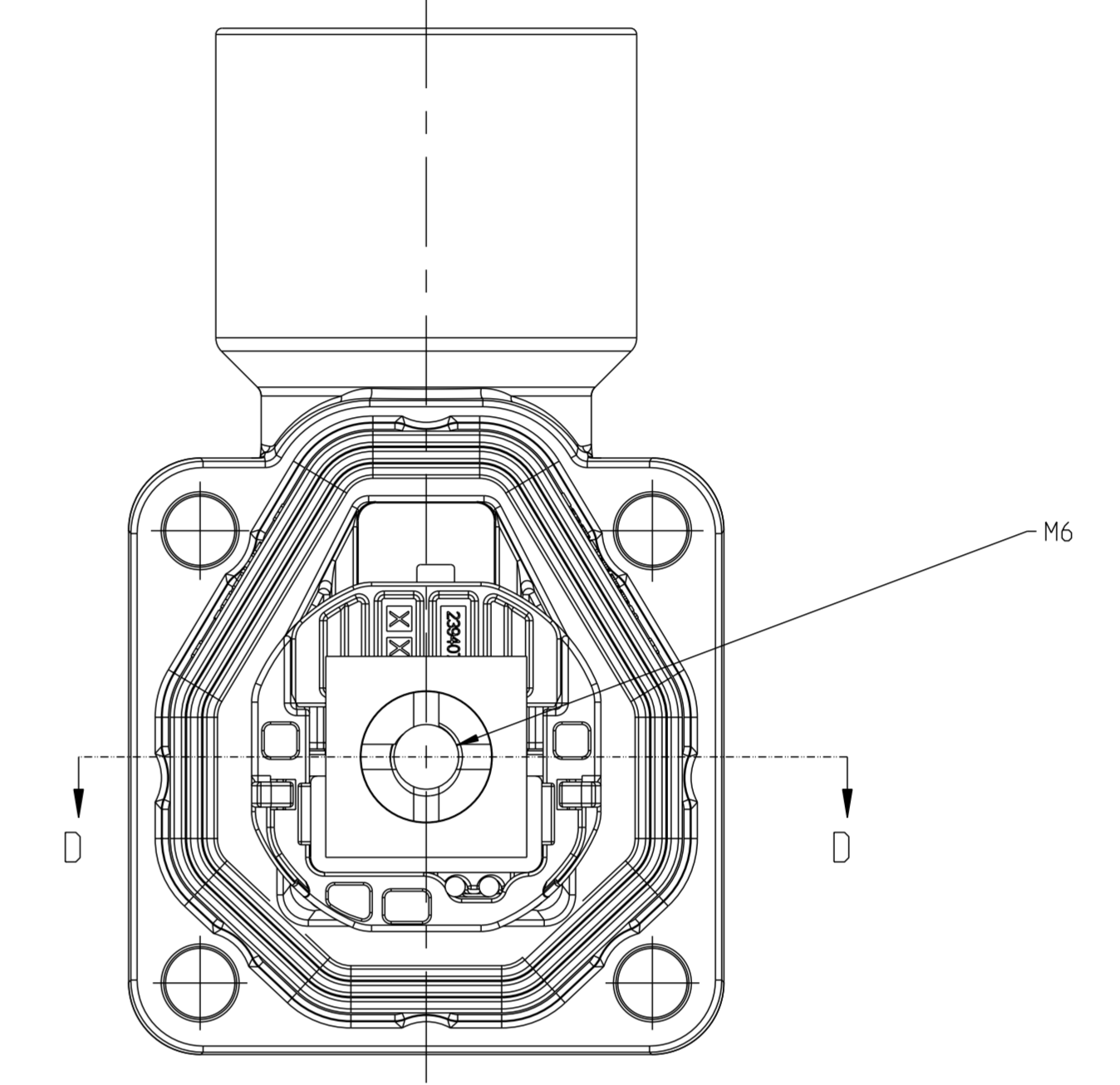
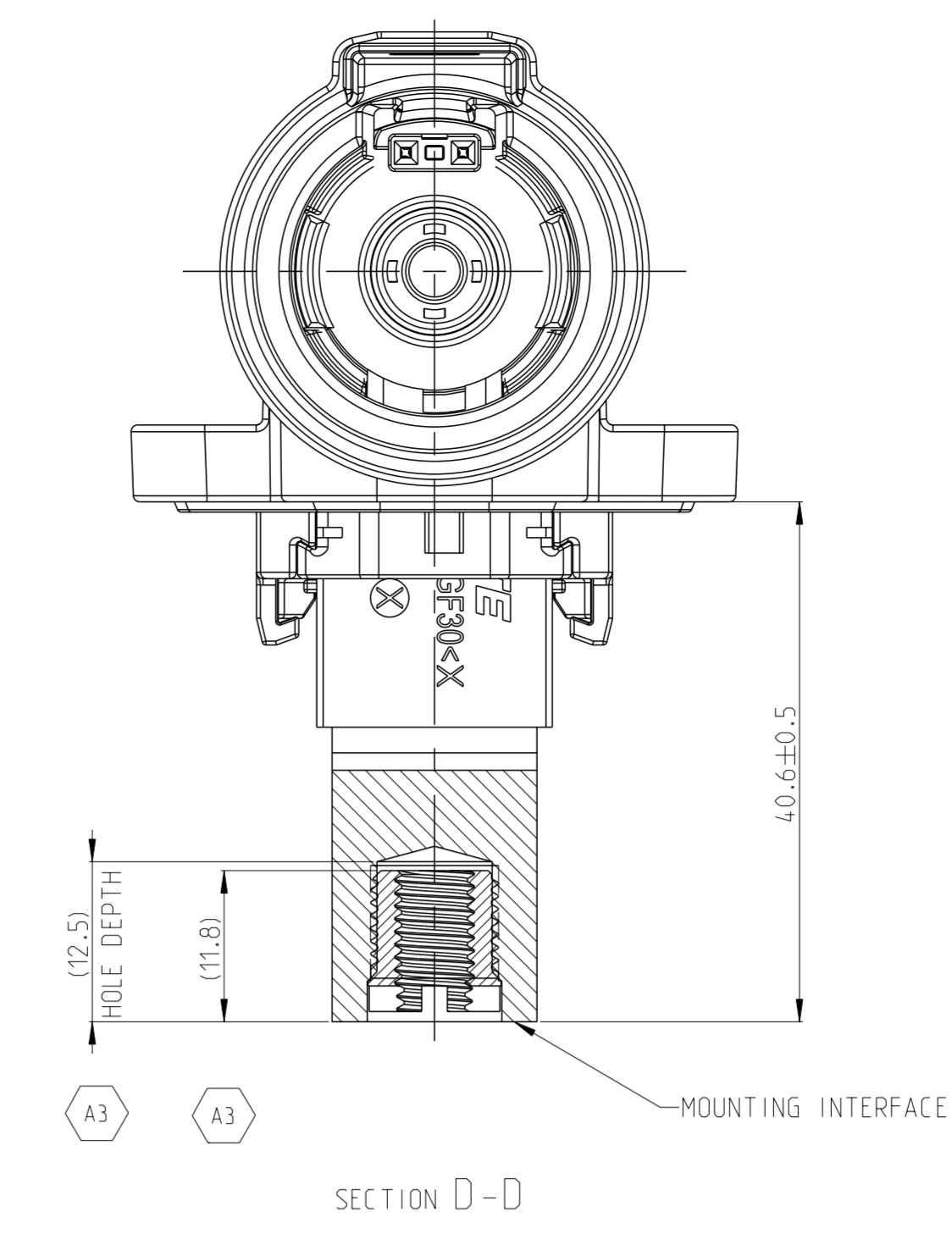
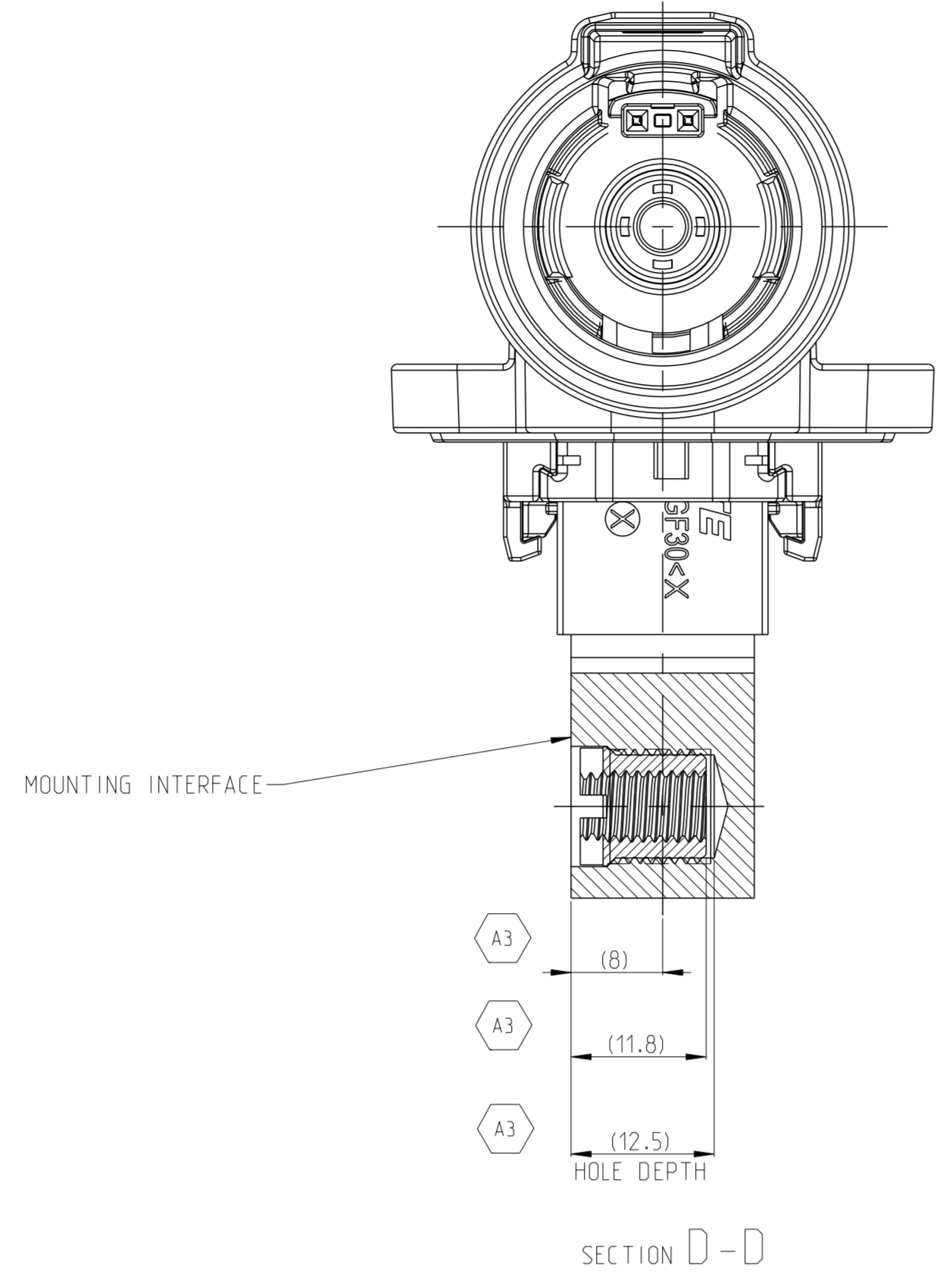
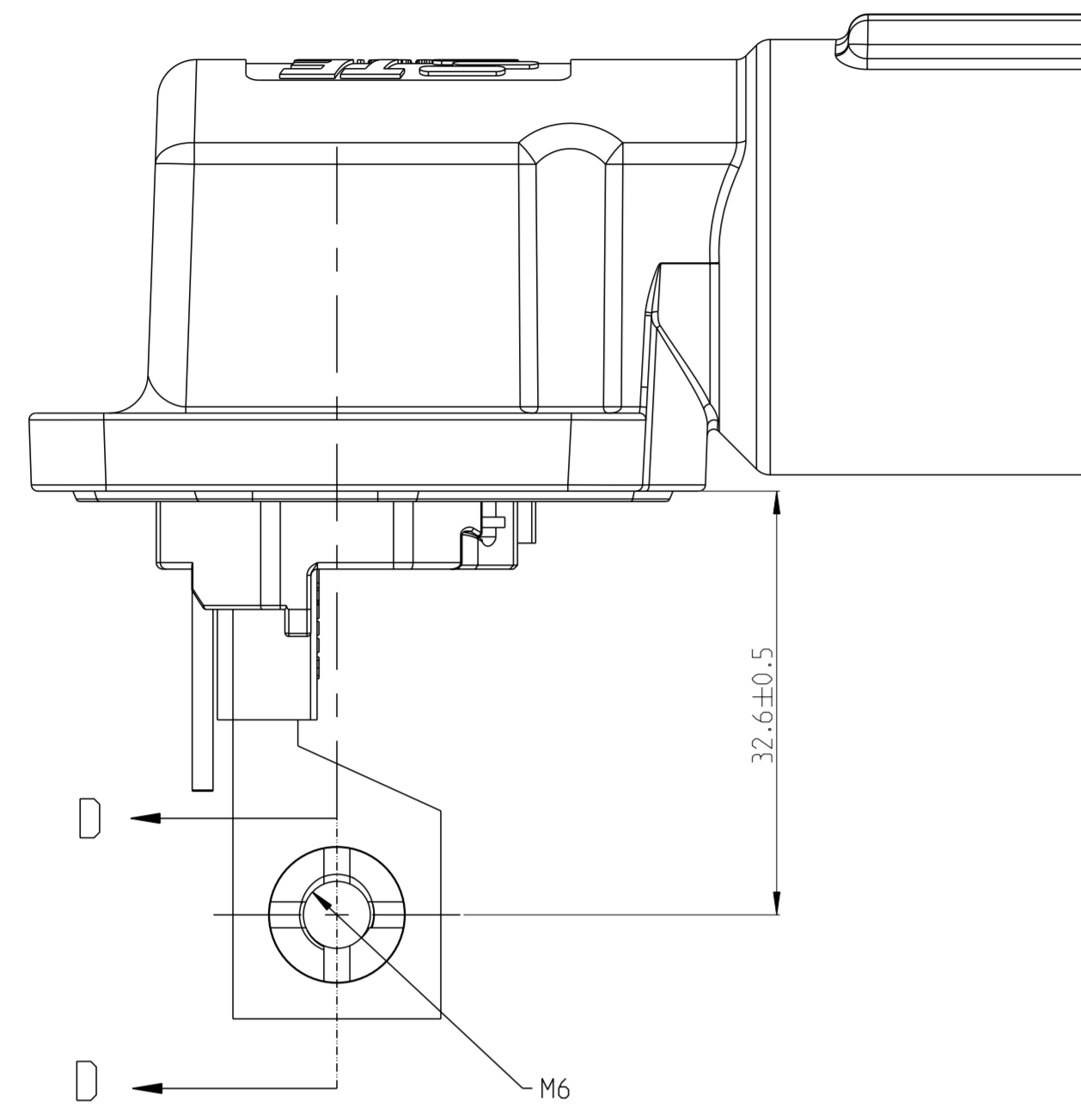
1.MISSING DIMENSION REFER TO 2394070-1

TE-ASSY-NO.	CODE	DESCRIPTION	DESCRIPTION	CODE	MATERIAL	SURFACE COLOR	WEIGHT (g)	QTY	ITEM
5-2394070-3	M	1POS.PIN DIA 10.0 HDR ASSY.90DEG	CODE HOUSING	M	PA66-GF	AQUA RED	(165)	1	9
			FOLLOW 4-2394070-1	-	-	-	-	-	1-8
5-2394070-2	L	1POS.PIN DIA 10.0 HDR ASSY.90DEG	CODE HOUSING	L	PA66-GF	AQUA BROWN	(165)	1	9
			FOLLOW 4-2394070-1	-	-	-	-	-	1-8
5-2394070-1	K	1POS.PIN DIA 10.0 HDR ASSY.90DEG	CODE HOUSING	K	PA66-GF	AQUA GREEN	(165)	1	9
			FOLLOW 4-2394070-1	-	-	-	-	-	1-8
4-2394070-9	J	1POS.PIN DIA 10.0 HDR ASSY.90DEG	CODE HOUSING	J	PA66-GF	ORANGE	(165)	1	9
			FOLLOW 4-2394070-1	-	-	-	-	-	1-8
4-2394070-8	H	1POS.PIN DIA 10.0 HDR ASSY.90DEG	CODE HOUSING	H	PA66-GF	YELLOW	(165)	1	9
			FOLLOW 4-2394070-1	-	-	-	-	-	1-8
4-2394070-7	G	1POS.PIN DIA 10.0 HDR ASSY.90DEG	CODE HOUSING	G	PA66-GF	RED	(165)	1	9
			FOLLOW 4-2394070-1	-	-	-	-	-	1-8
4-2394070-6	F	1POS.PIN DIA 10.0 HDR ASSY.90DEG	CODE HOUSING	F	PA66-GF	BROWN	(165)	1	9
			FOLLOW 4-2394070-1	-	-	-	-	-	1-8
4-2394070-5	E	1POS.PIN DIA 10.0 HDR ASSY.90DEG	CODE HOUSING	E	PA66-GF	GREEN	(165)	1	9
			FOLLOW 4-2394070-1	-	-	-	-	-	1-8
4-2394070-4	D	1POS.PIN DIA 10.0 HDR ASSY.90DEG	CODE HOUSING	D	PA66-GF	PURPLE	(165)	1	9
			FOLLOW 4-2394070-1	-	-	-	-	-	1-8
4-2394070-3	C	1POS.PIN DIA 10.0 HDR ASSY.90DEG	CODE HOUSING	C	PA66-GF	BLUE	(165)	1	9
			FOLLOW 4-2394070-1	-	-	-	-	-	1-8
4-2394070-2	B	1POS.PIN DIA 10.0 HDR ASSY.90DEG	CODE HOUSING	B	PA66-GF	NATURE	(165)	1	9
			FOLLOW 4-2394070-1	-	-	-	-	-	1-8
4-2394070-1	A	1POS.PIN DIA 10.0 HDR ASSY.90DEG	CODE HOUSING	A	PA66-GF	BLACK	(165)	1	9
			HEADER TPA	-	PA66-GF	RED	-	1	8
			FINGER PROTECTION CAP	-	PA66-GF	BLACK	-	1	7
			FACE SEAL	-	SILICONE	RED	-	1	6
			BUSBAR OVERMOLD,BACK SIDE	-	-	-	-	1	5
			OUTER HOUSING	-	PA66-GF	BLACK	-	1	4
			INNER HOUSING	-	PA66-GF	BLACK	-	1	3
			HV INTERLOCK TERMINAL	-	-	-	-	2	2
			HEADER HOUSING 90DEG,1POS	-	AL-ALLOY	NICKEL PLATED	-	1	1

THIS DRAWING IS A CONTROLLED DOCUMENT. DATE: 26AUG2021. DRAWN BY: JLSHI. CHECKED BY: LLL. APPROVED BY: JLYIN. DIMENSIONS: (UNIT) INCH. DIMENSIONS: (UNIT) METRIC. MATERIAL: SEE TABLE. FINISH: SPEC 2. CUSTOMER DRAWING. SCALE: 2:1. SHEET 2 OF 5. REV A3.

TE Connectivity  
1POS.PIN DIA 10.0 HDR ASSY.90DEG  
HVP-HD1000  
108-160341  
114-160181  
00779 ©=2394070

REVISIONS			
REV	DATE	BY	APPV
1			
2			
3			
4			
5			
6			
7			
8			
9			
10			



1.MISSING DIMENSION REFER TO 2394070-1

1.MISSING DIMENSION REFER TO 2394070-1

TE-ASSY-NO.	CODE	DESCRIPTION	DESCRIPTION	CODE	MATERIAL	SURFACE COLOR	WEIGHT (g)	QTY	ITEM
7-2394070-3	M	1POS,PIN DIA 10.0 HDR ASSY,90DEG	CODE HOUSING	M	PA66-GF	AQUA RED	(165)	1	9
			FOLLOW 6-2394070-1	-	-	-	-	-	1-8
7-2394070-2	L	1POS,PIN DIA 10.0 HDR ASSY,90DEG	CODE HOUSING	L	PA66-GF	AQUA BROWN	(165)	1	9
			FOLLOW 6-2394070-1	-	-	-	-	-	1-8
7-2394070-1	K	1POS,PIN DIA 10.0 HDR ASSY,90DEG	CODE HOUSING	K	PA66-GF	AQUA GREEN	(165)	1	9
			FOLLOW 6-2394070-1	-	-	-	-	-	1-8
6-2394070-9	J	1POS,PIN DIA 10.0 HDR ASSY,90DEG	CODE HOUSING	J	PA66-GF	ORANGE	(165)	1	9
			FOLLOW 6-2394070-1	-	-	-	-	-	1-8
6-2394070-8	H	1POS,PIN DIA 10.0 HDR ASSY,90DEG	CODE HOUSING	H	PA66-GF	YELLOW	(165)	1	9
			FOLLOW 6-2394070-1	-	-	-	-	-	1-8
6-2394070-7	G	1POS,PIN DIA 10.0 HDR ASSY,90DEG	CODE HOUSING	G	PA66-GF	RED	(165)	1	9
			FOLLOW 6-2394070-1	-	-	-	-	-	1-8
6-2394070-6	F	1POS,PIN DIA 10.0 HDR ASSY,90DEG	CODE HOUSING	F	PA66-GF	BRDWN	(165)	1	9
			FOLLOW 6-2394070-1	-	-	-	-	-	1-8
6-2394070-5	E	1POS,PIN DIA 10.0 HDR ASSY,90DEG	CODE HOUSING	E	PA66-GF	GREEN	(165)	1	9
			FOLLOW 6-2394070-1	-	-	-	-	-	1-8
6-2394070-4	D	1POS,PIN DIA 10.0 HDR ASSY,90DEG	CODE HOUSING	D	PA66-GF	PURPLE	(165)	1	9
			FOLLOW 6-2394070-1	-	-	-	-	-	1-8
6-2394070-3	C	1POS,PIN DIA 10.0 HDR ASSY,90DEG	CODE HOUSING	C	PA66-GF	BLUE	(165)	1	9
			FOLLOW 6-2394070-1	-	-	-	-	-	1-8
6-2394070-2	B	1POS,PIN DIA 10.0 HDR ASSY,90DEG	CODE HOUSING	B	PA66-GF	NATURE	(165)	1	9
			FOLLOW 6-2394070-1	-	-	-	-	-	1-8
6-2394070-1	A	1POS,PIN DIA 10.0 HDR ASSY,90DEG	CODE HOUSING	A	PA66-GF	BLACK	(165)	1	9
			HEADER TPA	-	PA66-GF	RED	-	1	8
			FINGER PROTECTION CAP	-	PA66-GF	BLACK	-	1	7
			FACE SEAL	-	SILICONE	RED	-	1	6
			BUSBAR OVERMOLD LEFT SIDE	-	-	-	-	1	5
			OUTER HOUSING	-	PA66-GF	BLACK	-	1	4
			INNER HOUSING	-	PA66-GF	BLACK	-	1	3
			HV INTERLOCK TERMINAL	-	-	-	-	2	2
			HEADER HOUSING 90DEG,1POS	-	AL-ALLOY	NICKEL PLATED	-	1	1

TE-ASSY-NO.	CODE	DESCRIPTION	DESCRIPTION	CODE	MATERIAL	SURFACE COLOR	WEIGHT (g)	QTY	ITEM
9-2394070-3	M	1POS,PIN DIA 10.0 HDR ASSY,90DEG	CODE HOUSING	M	PA66-GF	AQUA RED	(165)	1	9
			FOLLOW 8-2394070-1	-	-	-	-	-	1-8
9-2394070-2	L	1POS,PIN DIA 10.0 HDR ASSY,90DEG	CODE HOUSING	L	PA66-GF	AQUA BROWN	(165)	1	9
			FOLLOW 8-2394070-1	-	-	-	-	-	1-8
9-2394070-1	K	1POS,PIN DIA 10.0 HDR ASSY,90DEG	CODE HOUSING	K	PA66-GF	AQUA GREEN	(165)	1	9
			FOLLOW 8-2394070-1	-	-	-	-	-	1-8
8-2394070-9	J	1POS,PIN DIA 10.0 HDR ASSY,90DEG	CODE HOUSING	J	PA66-GF	DRANGE	(165)	1	9
			FOLLOW 8-2394070-1	-	-	-	-	-	1-8
8-2394070-8	H	1POS,PIN DIA 10.0 HDR ASSY,90DEG	CODE HOUSING	H	PA66-GF	YELLOW	(165)	1	9
			FOLLOW 8-2394070-1	-	-	-	-	-	1-8
8-2394070-7	G	1POS,PIN DIA 10.0 HDR ASSY,90DEG	CODE HOUSING	G	PA66-GF	RED	(165)	1	9
			FOLLOW 8-2394070-1	-	-	-	-	-	1-8
8-2394070-6	F	1POS,PIN DIA 10.0 HDR ASSY,90DEG	CODE HOUSING	F	PA66-GF	BROWN	(165)	1	9
			FOLLOW 8-2394070-1	-	-	-	-	-	1-8
8-2394070-5	E	1POS,PIN DIA 10.0 HDR ASSY,90DEG	CODE HOUSING	E	PA66-GF	GREEN	(165)	1	9
			FOLLOW 8-2394070-1	-	-	-	-	-	1-8
8-2394070-4	D	1POS,PIN DIA 10.0 HDR ASSY,90DEG	CODE HOUSING	D	PA66-GF	PURPLE	(165)	1	9
			FOLLOW 8-2394070-1	-	-	-	-	-	1-8
8-2394070-3	C	1POS,PIN DIA 10.0 HDR ASSY,90DEG	CODE HOUSING	C	PA66-GF	BLUE	(165)	1	9
			FOLLOW 8-2394070-1	-	-	-	-	-	1-8
8-2394070-2	B	1POS,PIN DIA 10.0 HDR ASSY,90DEG	CODE HOUSING	B	PA66-GF	NATURE	(165)	1	9
			FOLLOW 8-2394070-1	-	-	-	-	-	1-8
8-2394070-1	A	1POS,PIN DIA 10.0 HDR ASSY,90DEG	CODE HOUSING	A	PA66-GF	BLACK	(165)	1	9
			HEADER TPA	-	PA66-GF	RED	-	1	8
			FINGER PROTECTION CAP	-	PA66-GF	BLACK	-	1	7
			FACE SEAL	-	SILICONE	RED	-	1	6
			BUSBAR OVERMOLD TOP SIDE	-	-	-	-	1	5
			OUTER HOUSING	-	PA66-GF	BLACK	-	1	4
			INNER HOUSING	-	PA66-GF	BLACK	-	1	3
			HV INTERLOCK TERMINAL	-	-	-	-	2	2
			HEADER HOUSING 90DEG,1POS	-	AL-ALLOY	NICKEL PLATED	-	1	1

THIS DRAWING IS A CONTROLLED DOCUMENT.

DATE: 26AUG2021

REV: 1

DESCRIPTION: 1POS,PIN DIA 10.0 HDR ASSY,90DEG HVP-HD1000

SCALE: 2:1

SHEET: 3 OF 5

STC Connectivity

00779 ©2394070

REVISIONS			
REV	DATE	BY	APPV
1			
SEE SHEET 1			

TABLE 5

CODE A	CODE B	CODE C	CODE D
CODE E	CODE F	CODE G	CODE H
CODE J	CODE K	CODE L	CODE M

printed on 8/19/2022 12:01:07 PM Standard Time from 1648955

THIS DRAWING IS A CONTROLLED DOCUMENT.

DATE	26AUG2021	BY	SHI
CHK	26AUG2021	CHK	L.L.
APPV	26AUG2021	APPV	J.YIN

STANDARD UNITS: DIMENSIONS UNLESS OTHERWISE SPECIFIED

1	PAC	±0.5
2	PAC	±0.1
3	PAC	±0.05
4	PAC	±0.001
5	PAC	±0.0001

PRODUCT SPEC: 108-160341  
APPLICATION SPEC: 314-160181  
WEIGHT: SEE TABLE  
FINISH SPEC: 2

MATERIAL: SEE TABLE

SCALE: 2:1 SHEET 4 OF 5

NAME: 1POS. PIN DIA 10.0 HDR ASSY.90DEG HVP-HD1000  
SIZE: A0 CASE CODE: 00779 DRAWING NO: 2394070  
CUSTOMER DRAWING

TE Connectivity

REVISIONS			
REV	DATE	BY	APPV
1			
SEE SHEET 1			



TABLE 6

CODE A	CODE B	CODE C	CODE D
CODE E	CODE F	CODE G	CODE H
CODE J	CODE K	CODE L	CODE M

printed on 08 May 2022 12:01 (China Standard Time) from 1649955

THIS DRAWING IS A CONTROLLED DOCUMENT.

DATE	26AUG2021	BY	JL SHI
CHK	26AUG2021	CHK	L.L.
APPROV	26AUG2021	APPROV	J.L. YIN

PRODUCT SPEC: 108-16034-1  
 APPLICATION SPEC: 114-160181  
 WEIGHT: SEE TABLE  
 FINISH: SPEC 2  
 CUSTOMER DRAWING

SCALE: 2:1 SHEET 5 OF 5

108-16034-1  
 HVP-HD1000  
 1POS. PIN DIA 10.0 HDR ASSY.90DEG

SIZE: A0 CASE CODE: DRAWING NO: 00779 ©=2394070

TE Connectivity