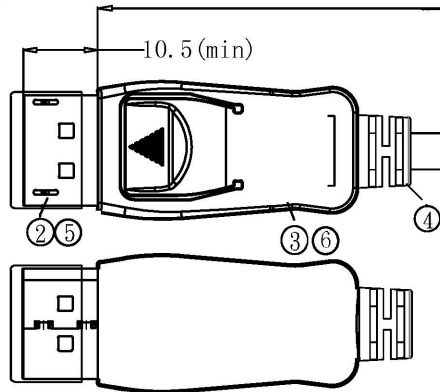
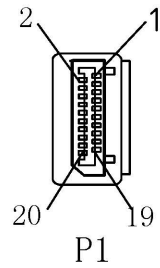
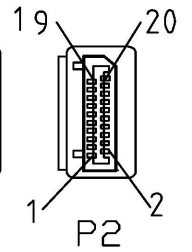


DisplayPort Male



DisplayPort Male



NOTE:

1. Electrical test:

- (1). 100% open short & miss wire test;
- (2). Insulation resistance: DC 300V 0.01s 10M ohm min.
- (3). Contact resistance: 3 ohm max.
- (4). Bandwidth: 40Gbps max.

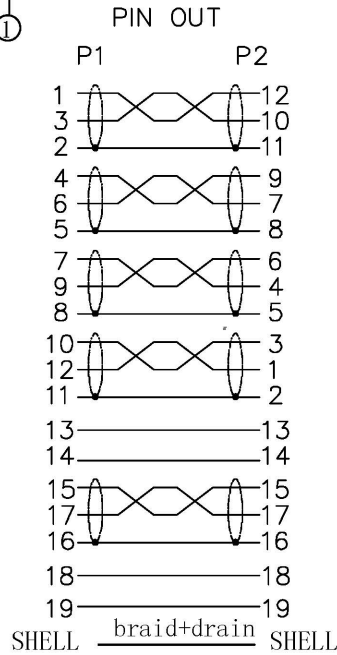
2. Computer + Monitor test

- (1). Resolution: 3840\*2160@120Hz

3. Marking: DisplayPort Cable E\*\*\*\*\* AWM STYLE 20276 80°C 30V VW-1

--- 10K/8K DisplayPort 2.0 UHBR 10

4. RoHS and REACH Compliant



MATERIAL LIST:

| NO. | PARTS NAME  | SPECIFICATION DESCRIPTION                                                                                 | QT' Y | REMARK |
|-----|-------------|-----------------------------------------------------------------------------------------------------------|-------|--------|
| ⑤   | DUST CAP    | LD PE                                                                                                     | 2     |        |
| ④   | TUBE END    | BLACK PVC 45P                                                                                             | 2     |        |
| ③   | OUTER COVER | BLACK ABS ASSEMBLY TYPE                                                                                   | 2     |        |
| ②   | CONNECTOR   | DP 20P/M WITH LATCHING Blue INSULATION, THE PIN GOLD PLATED , THE SHELL FOR GOLD PLATED                   | 2     |        |
| ①   | CABEL       | DP2.0V CABLE[(28AWG BC)*1P+D+FAM]*5+(30AWG BC)*4C+AL-FOIL+(30AWG BC)+BRAID, JACKET:PVC black OD:7.0±0.2mm | 1     |        |

| ITEM NO.   | LENGTH    |
|------------|-----------|
| 11.04.6003 | 3000±70mm |
| 11.04.6004 | 5000±70mm |

DESC. ROLINE DisplayPort Cable, DP 2.0, DP M / DP M, black

| BY | CHK | REVISION RECORD MODIFICATIONS | DATE       | REV. |
|----|-----|-------------------------------|------------|------|
|    |     |                               | 2021-11-03 | A    |

