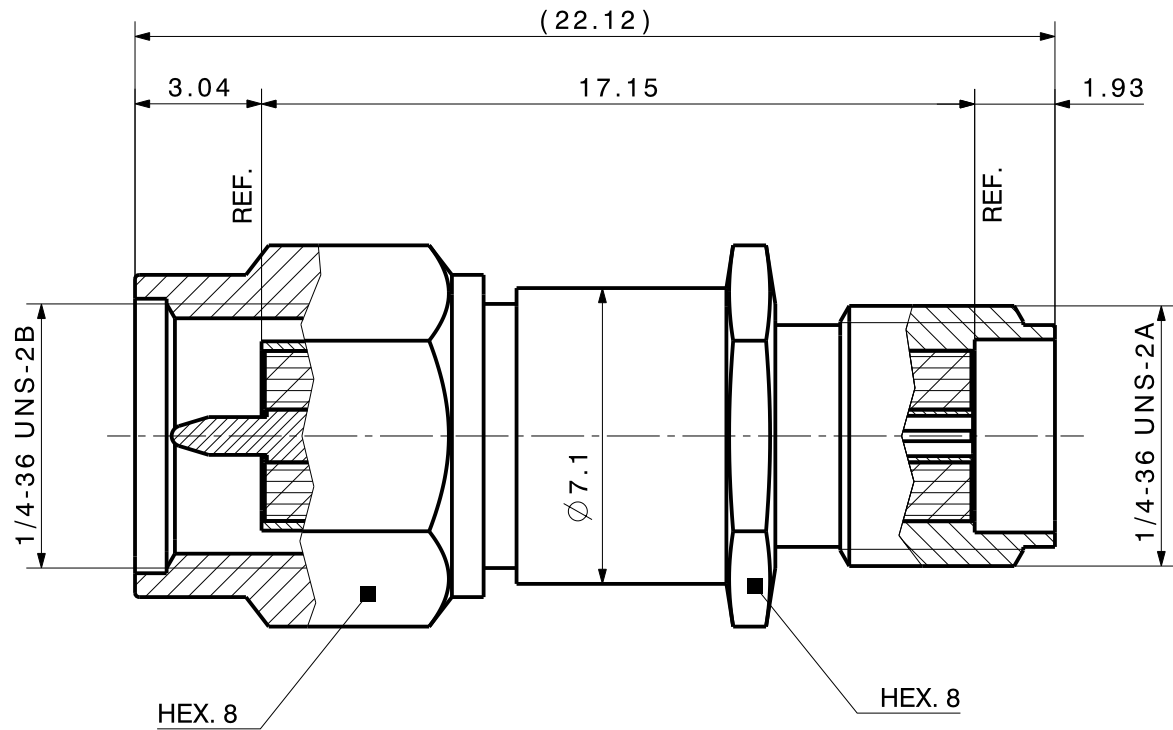


Diese Zeichnung ist unser geistiges Eigentum und darf ohne unsere Erlaubnis weder kopiert, vervielfältigt noch Dritten oder Konkurrenzfirmen zugänglich gemacht werden. (Art. 12 B.G.)  
 This drawing is copyright. Information contained thereon is supplied in confidence and must not be used for any other purpose than which it was supplied, or be reproduced without written permission of the owners.

Types:

6601_SMA-50-1
6601_SMA-50-2
6602_SMA-50-1
6602_SMA-50-2
6603_SMA-50-1
6603_SMA-50-2
6604_SMA-50-1
6604_SMA-50-2
6605_SMA-50-1
6605_SMA-50-2
6606_SMA-50-1
6606_SMA-50-2
6607_SMA-50-1
6607_SMA-50-2
6608_SMA-50-1
6608_SMA-50-2
6609_SMA-50-1
6609_SMA-50-2
6610_SMA-50-1
6610_SMA-50-2
6612_SMA-50-2
6615_SMA-50-1
6615_SMA-50-2
6618_SMA-50-1
6618_SMA-50-2
6620_SMA-50-1
6620_SMA-50-2



type / Typ:			
	dimensions in millimeter [mm]	part no. / Teile Nr.: PRO-00089026	H sheet/Blatt
description / Beschreibung		drawing-no. / Zeichnungsnr.	Release
Attenuator		DOU-00089026	H
alternative ID:			