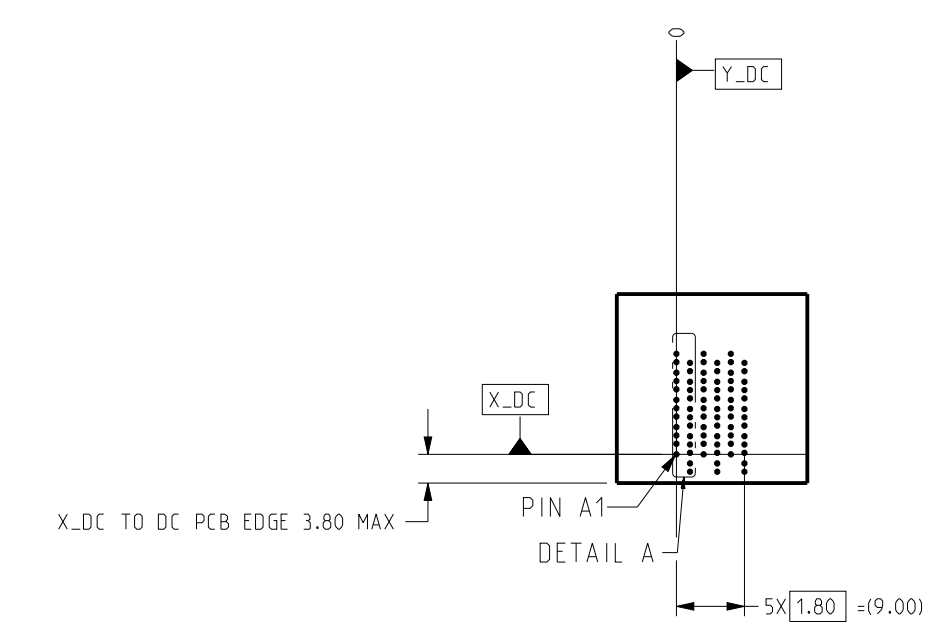
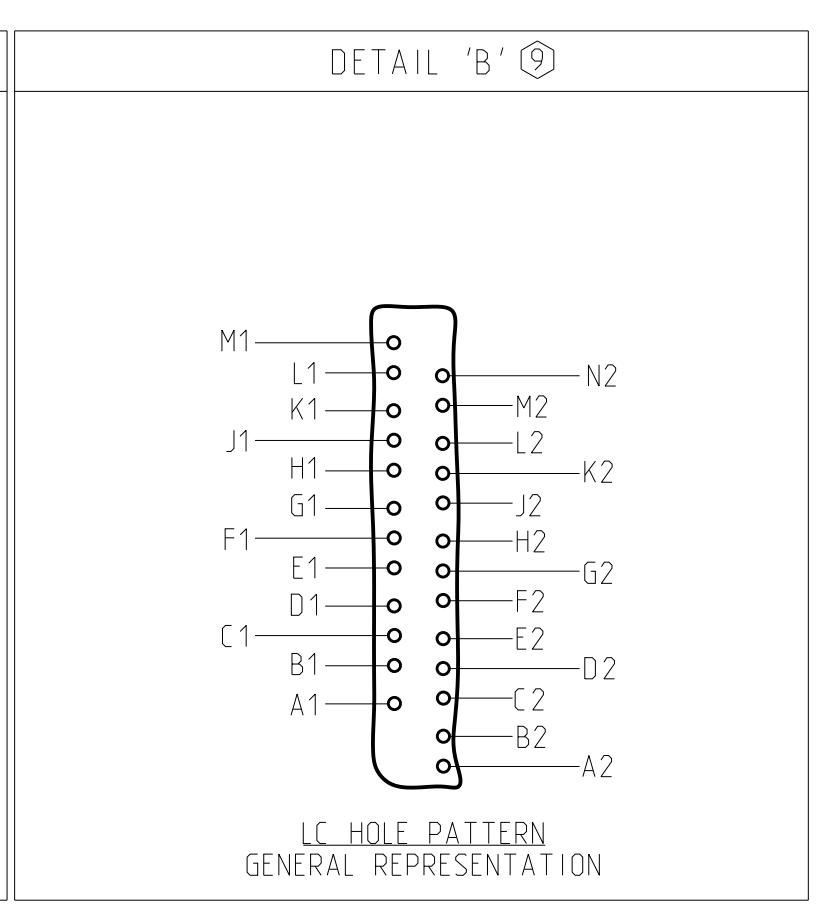
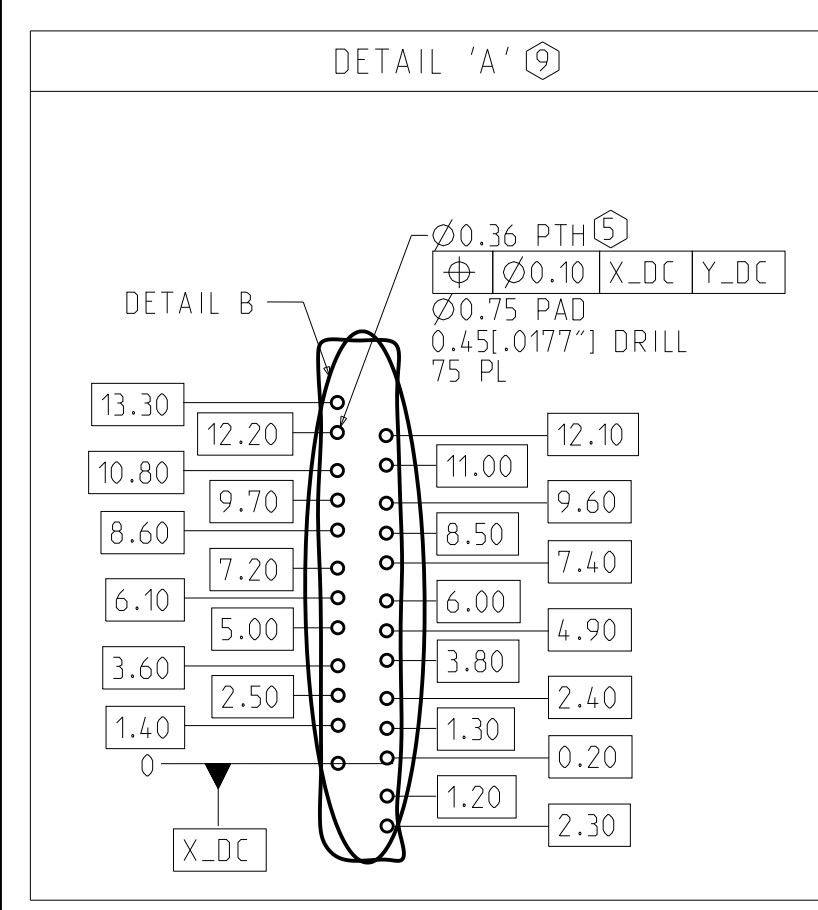
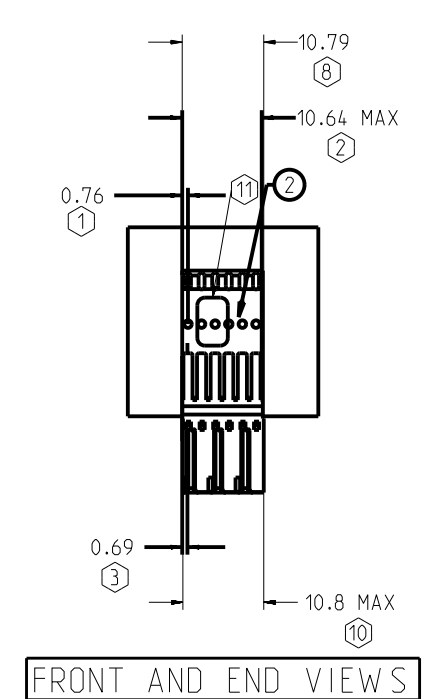


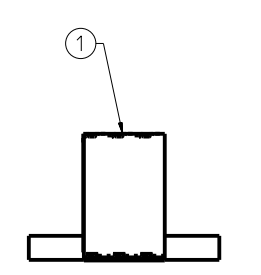
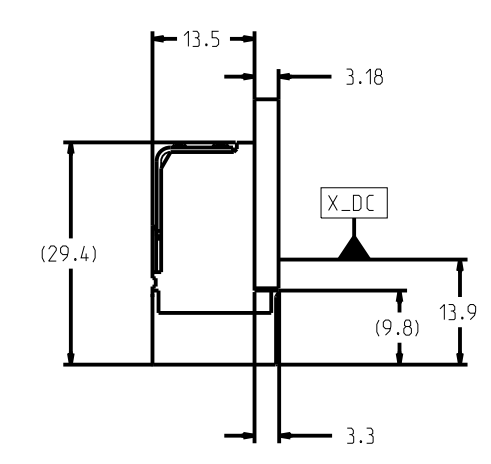
REV	ECN	DESCRIPTION	BY	DATE	APPROVED
A	JLIU-22111514	RELEASE TO PRODUCTION	J.LIU	12/02/2022	J.LIU



FRONT VIEW - DC HOLE PATTERN ONLY, CONNECTOR SIDE REFERENCED FROM LEFT MOST SIGNAL COLUMN, ALL DIMENSIONS BASIC



FRONT AND END VIEWS



BOTTOM VIEW
MODULE LOCATIONS FROM LEFT END OF PLASTIC

ITEM	PART NUMBER	DESCRIPTION	QTY
1	922-401F-D3H	XCede HD 4PAIR LC MOD w/ ORGANIZER, 6POS, 1000HMS, BIFURCATED, .0177" DRILL, NANO NI, STD GOLD	1
2	617-0450-010	XCede HD 4PAIR STIFFENER	1

NOTE: SEE FRONT VIEW FOR STIFFENER LENGTH.

NOTES:

- ① DISTANCE FROM FIRST STIFFENER PILOT HOLE TO LEFT END OF STIFFENER.
- ② TOTAL LENGTH OF STIFFENER.
- ③ DISTANCE FROM CENTERLINE OF 1ST COLUMN OF SIGNAL PLATED THRU HOLES TO LEFT EDGE OF STIFFENER.
- ④ MOUNTING SCREWS AND JOINER MODULES (IF PRESENT) TO BE BAGGED WITH EACH CONNECTOR ASSEMBLY.
- ⑤ STATED PAD SIZE MAY REQUIRE FILLETING. SEE TB-2237 FOR ROUTING, HOLE WALL PLATING THICKNESS AND FINISHED HOLE SIZE.
- ⑥ NA.
- ⑦ REFER TO TB-2235 FOR XCede HD PRODUCT SPECIFICATIONS.
- ⑧ OVERALL CONNECTOR LENGTH.
- ⑨ DETAIL VIEWS ARE NOT TO SCALE. DO NOT SCALE DRAWING.
- ⑩ FRONT HOUSING WIDTH. CONNECTORS CAN BE USED IN STACKABLE APPLICATION.
- ⑪ CONNECTOR IS LASER MARKED WITH MANUFACTURING INFORMATION. REFER TO DRAWING C-527-4133-000 FOR MARKING REQUIREMENTS AND DETAILS.

CUSTOMER: DISTRIBUTOR / XHD 4PAIR X 6. LC 1000HMS

TOLERANCES	DESIGN	DATE	DESIGNER
0.0	±0.25	10/12/2022	J.LIU
0.00	±0.13	10/12/2022	AUTO GENERATED
0.000	±	10/12/2022	CHK J.LIU
ANGLES	± 3°	12/02/2022	APVD J.LIU

Amphenol TCS
A Division of Amphenol Corporation
200 Innovative Way, Nashua, NH 03062 803.879.3000

TITLE: XCede HD DAUGHTERCARD ASSEMBLY
4 PAIR CONNECTOR, LEADFREE

PART NO. JX410-51593
DRAWING NO. C-JX410-51593

UNLESS OTHERWISE SPECIFIED DIMENSIONS ARE IN MM AND DECIMAL MARKER IS A PERIOD.

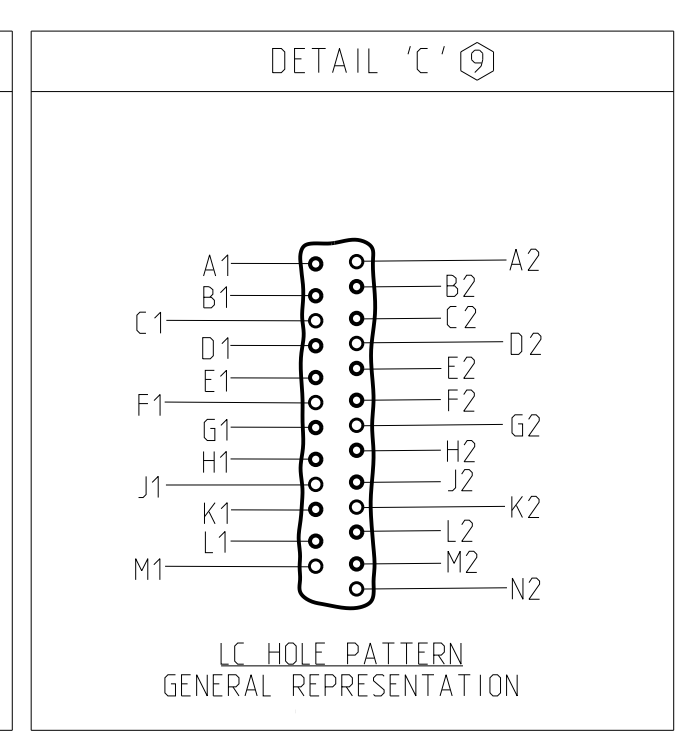
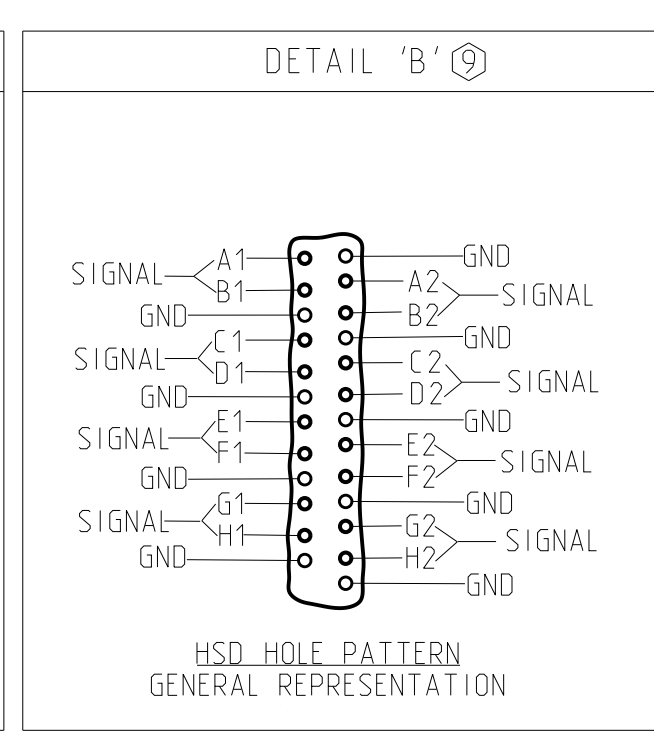
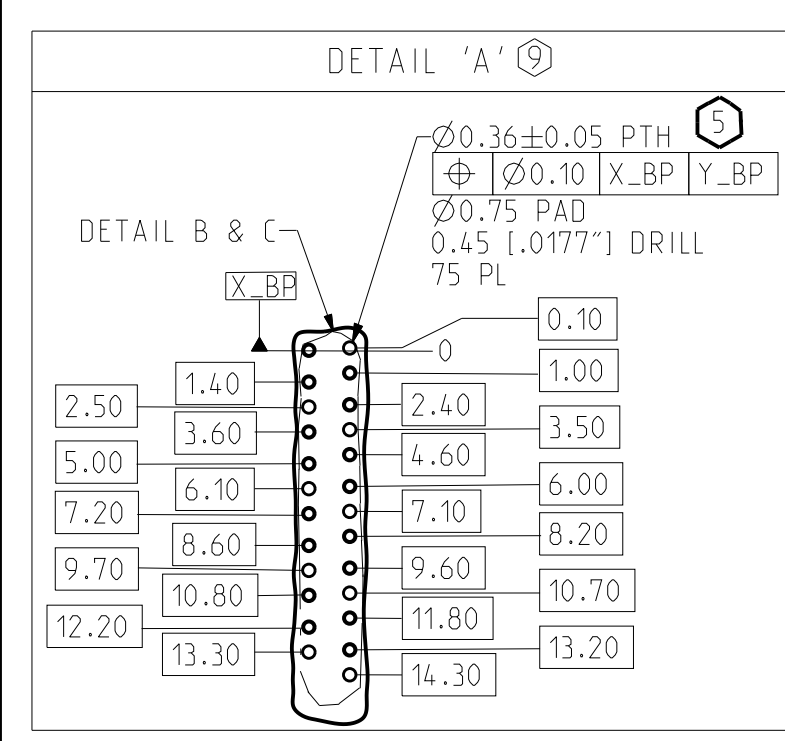
SCALE 1/1 SHEET 1 OF 2

INTERPRET PER ANSI Y14.5
CODE IDENT 31413

CUSTOMER USE
DRAWING

AMPHENOL TCS/DC HD CONNECTOR/REVISION/01/2023

REV	ECN	DESCRIPTION	BY	DATE	APPROVED
		SEE SHEET 1			



FOR REFERENCE ONLY; FOR SPECIFIC DETAILS, SEE C-USE DRAWINGS FOR BACKPLANE MODULES IN TABLE 2
 BACKPLANE COMPONENTS MUST BE PURCHASED SEPARATELY AND MAY DIFFER FROM EXAMPLE SHOWN

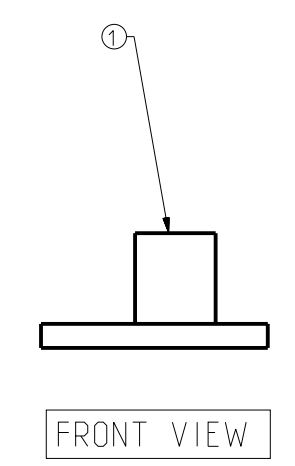
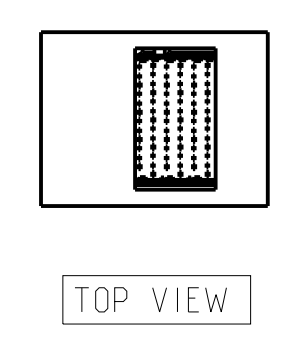
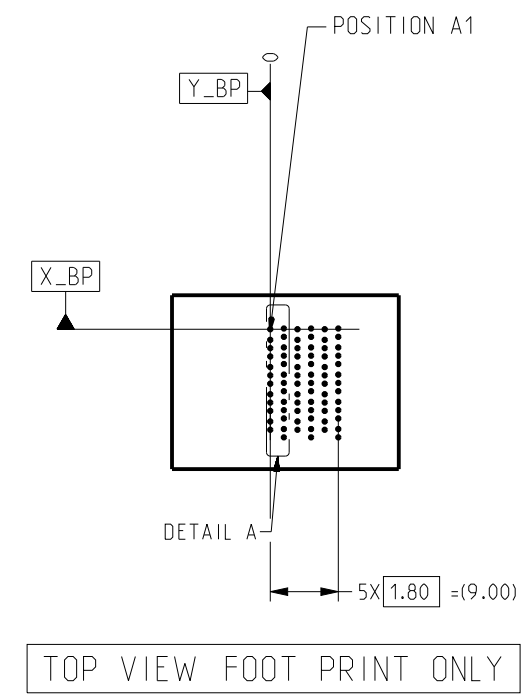


TABLE 2: PARTS LIST

ITEM	PART NUMBER	DESCRIPTION	QTY
1	923-400C-40H	XCede HD 4PAIR 6POS. OPEN, 3MM W IPE, .0177" DRILL, NANO NI, STD GOLD	1

CUSTOMER: DISTRIBUTOR / XHD 4PAIR X 6. LC 1000HMS

TOLERANCES	DESIGN	DATE	DESIGNER
0.0	±0.25	10/12/2022	J.LIU
0.00	±0.13	10/12/2022	AUTO GENERATED
0.000	± -	10/12/2022	CHK J.LIU
ANGLES	± 3°	12/02/2022	APVD J.LIU

UNLESS OTHERWISE SPECIFIED DIMENSIONS ARE IN MM AND DECIMAL MARKER IS A PERIOD.

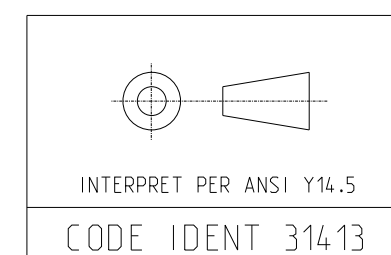
Amphenol TCS
 A Division of Amphenol Corporation
 200 Innovative Way, Nashua, NH 03062 803.879.3000

TITLE: XCede HD BACKPLANE ASSEMBLY
 4 PAIR CONNECTOR, LEADFREE

PART NO. JX410-51593
 DRAWING NO. C-JX410-51593

CREO FILES JX410-51593_BP_ASM
 JX410-51593_BP.DRW

SIZE D SCALE 1/1 SHEET 2 OF 2



CUSTOMER USE
DRAWING

REV A