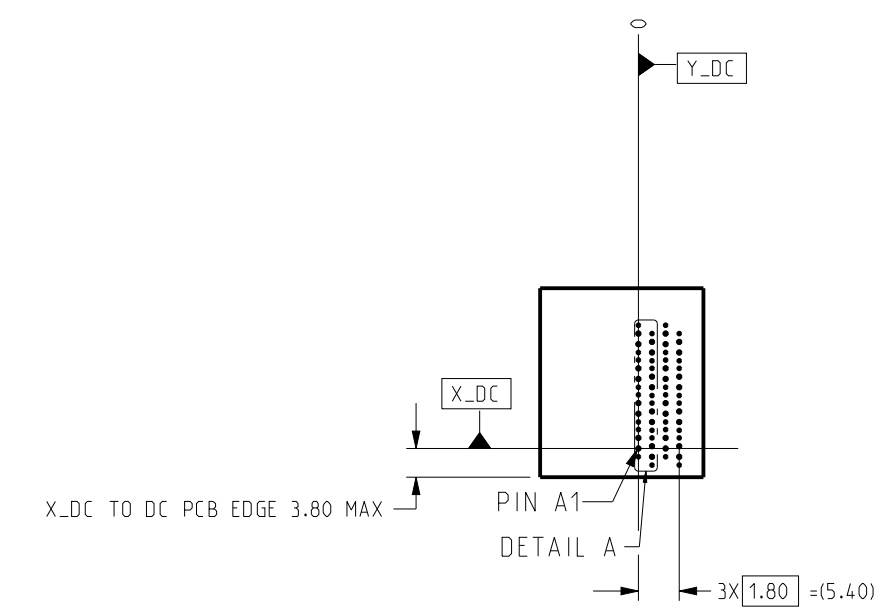
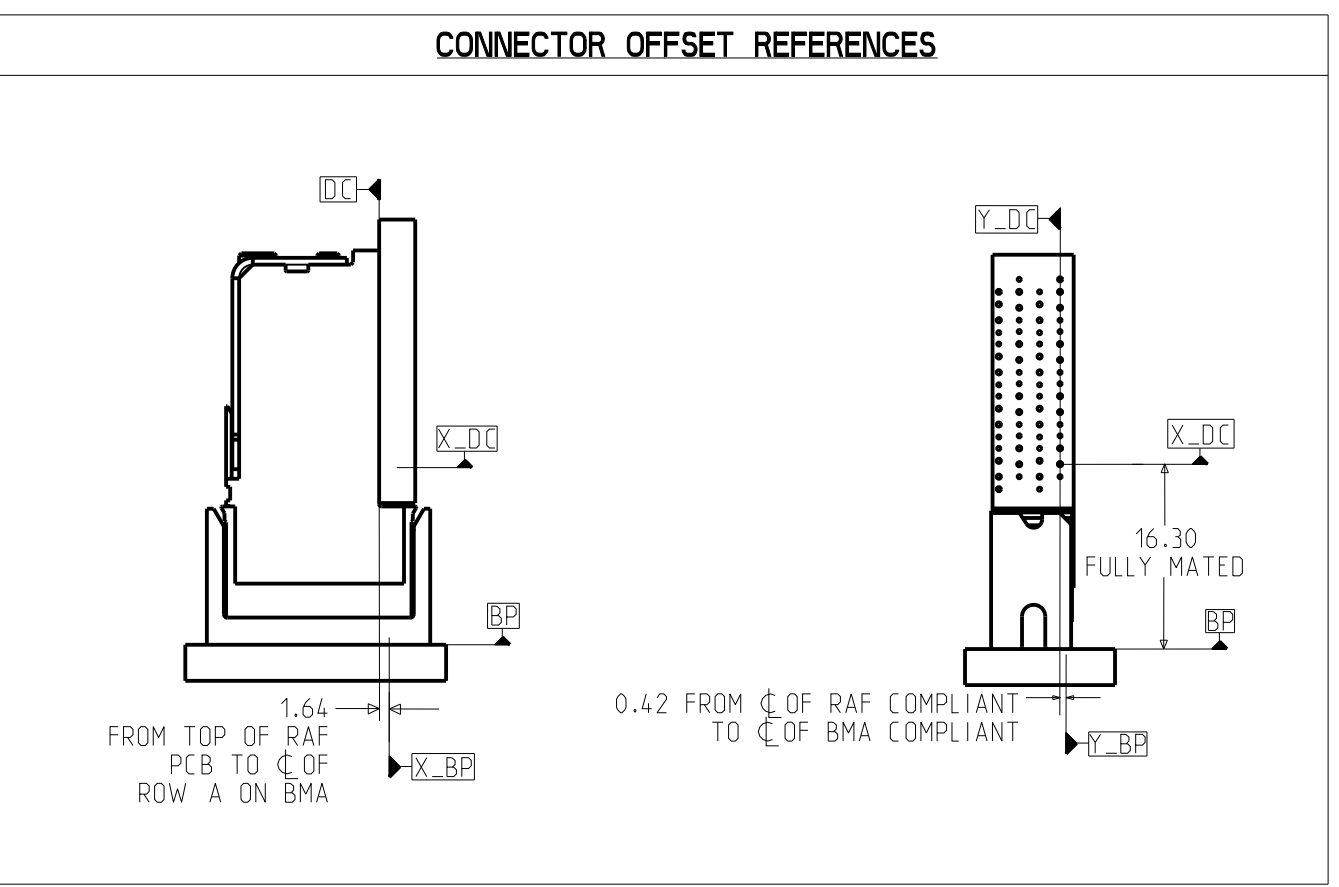
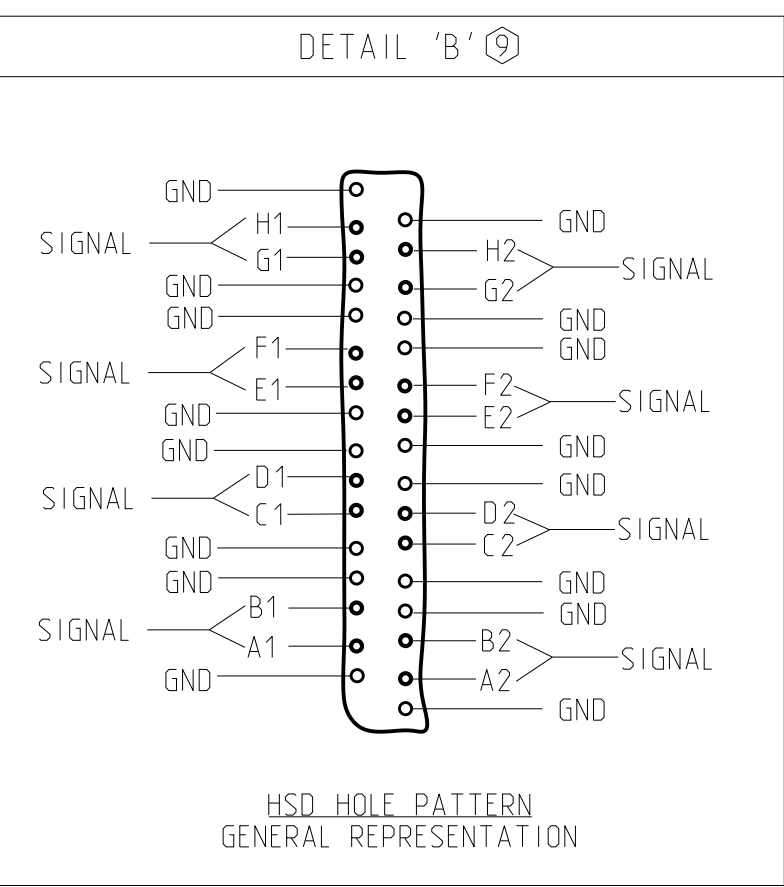
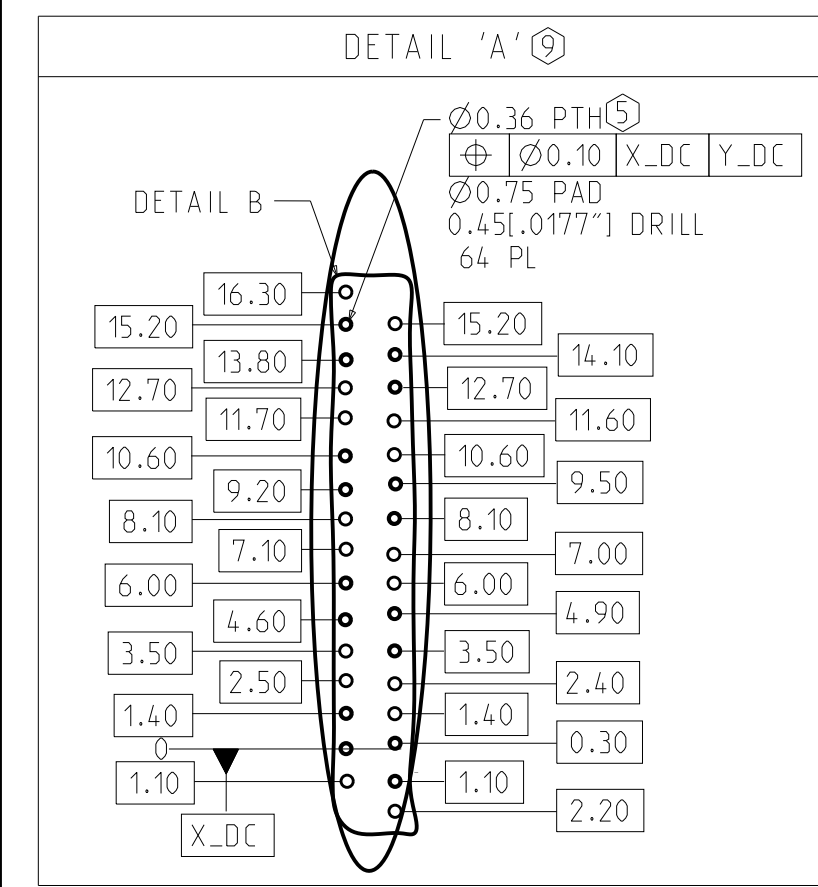
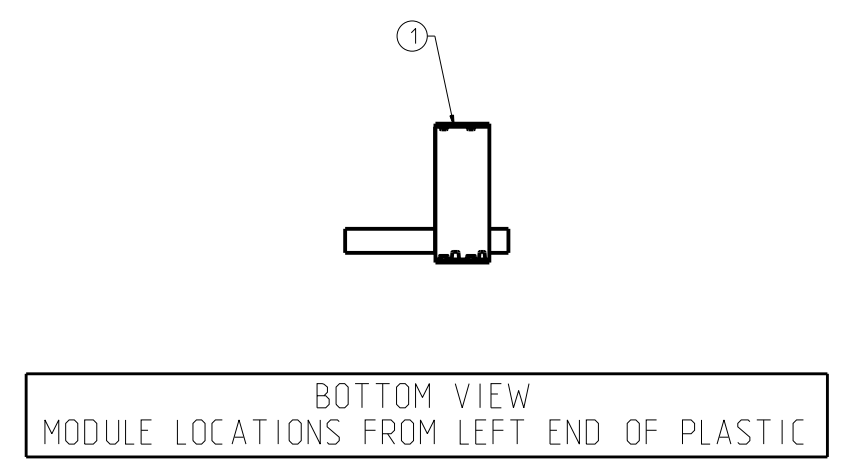
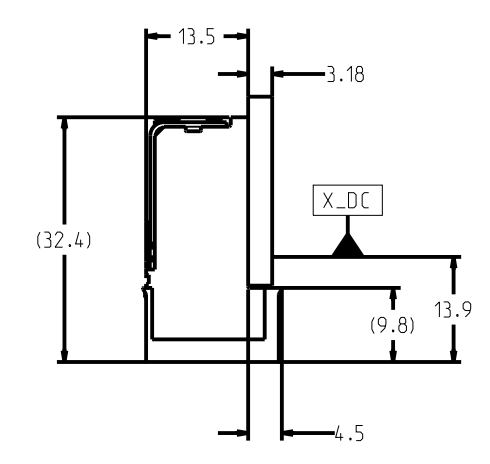
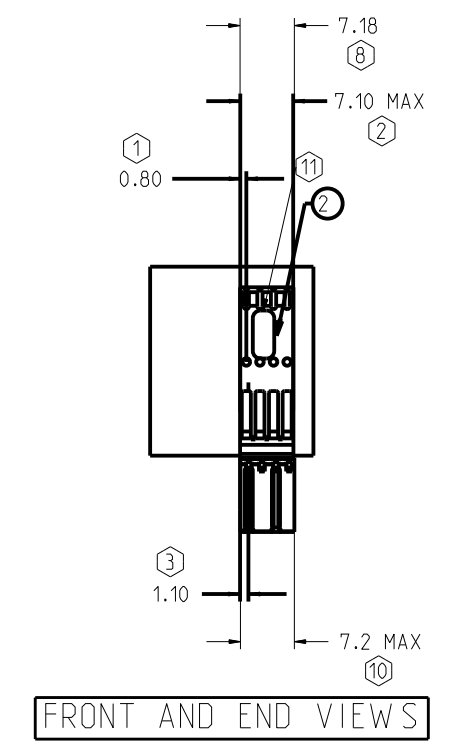


REV	ECN	DESCRIPTION	BY	DATE	APPROVED
A	JLIU-22111609	RELEASE TO PRODUCTION	J.LIU	11/23/2022	J.LIU



FRONT VIEW - DC HOLE PATTERN ONLY, CONNECTOR SIDE REFERENCED FROM LEFT MOST SIGNAL COLUMN, ALL DIMENSIONS BASIC



- NOTES:
- DISTANCE FROM FIRST STIFFENER PILOT HOLE TO LEFT END OF STIFFENER.
  - TOTAL LENGTH OF STIFFENER.
  - DISTANCE FROM CENTERLINE OF 1ST COLUMN OF SIGNAL PLATED THRU HOLES TO LEFT EDGE OF CONNECTOR.
  - MOUNTING SCREWS AND JOINER MODULES (IF PRESENT) TO BE BAGGED WITH EACH CONNECTOR ASSEMBLY.
  - STATED PAD SIZE MAY REQUIRE FILLETING. SEE TB-2237 FOR ROUTING, HOLE WALL PLATING THICKNESS AND FINISHED HOLE SIZE.
  - NA.
  - REFER TO TB-2307 FOR XCede HD PLUS PRODUCT SPECIFICATIONS.
  - OVERALL CONNECTOR LENGTH.
  - DETAIL VIEWS ARE NOT TO SCALE. DO NOT SCALE DRAWING.
  - FRONT HOUSING WIDTH. CONNECTORS CAN BE USED IN STACKABLE APPLICATION.
  - CONNECTOR IS LASER MARKED WITH MANUFACTURING INFORMATION. REFER TO DRAWING C-527-4133-000 FOR MARKING REQUIREMENTS AND DETAILS.

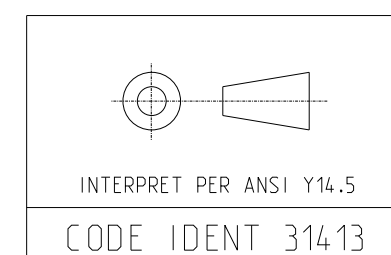
TABLE 1: PARTS LIST

ITEM	PART NUMBER	DESCRIPTION	QTY
1	915-410B-BOH	XCede HD PLUS 4PAIR HSD MOD w/ XG, 4POS, 850HMS, .0177" DRILL, NANO NI, STD GOLD	1
2	617-1421-007	XCede HD PLUS 4PAIR STIFFENER	1

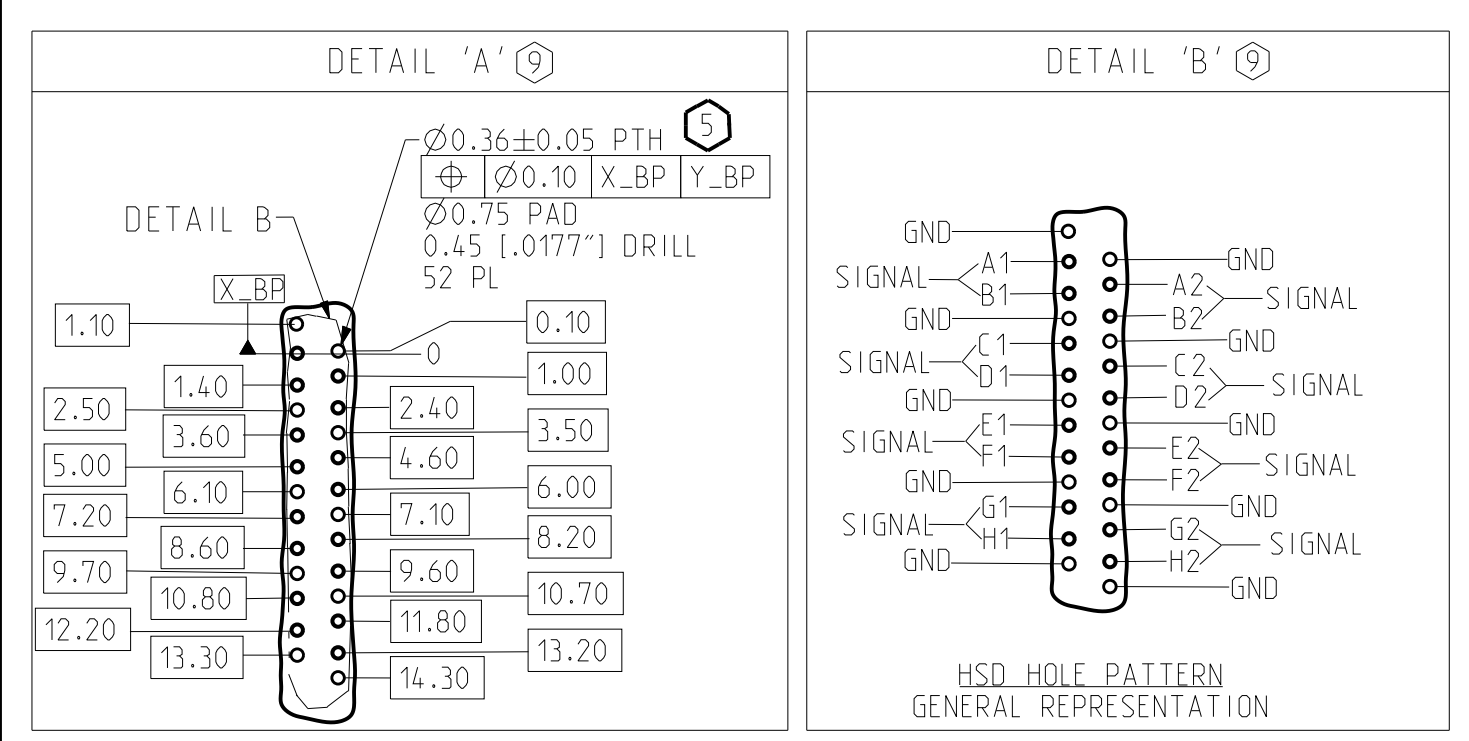
NOTE: SEE FRONT VIEW FOR STIFFENER LENGTH.

CUSTOMER: DISTRIBUTOR / XHD PLUS WITH EXTRA GROUND 4PAIR X 4, HSD 850HMS

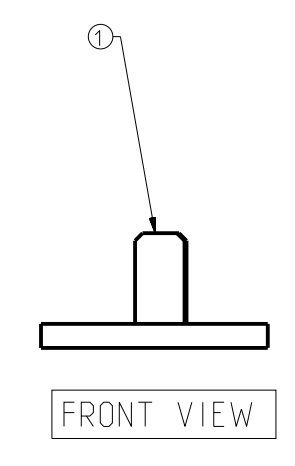
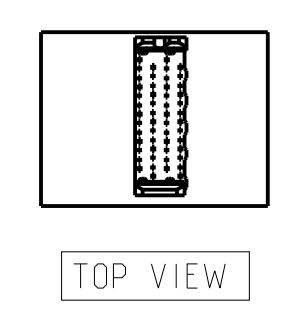
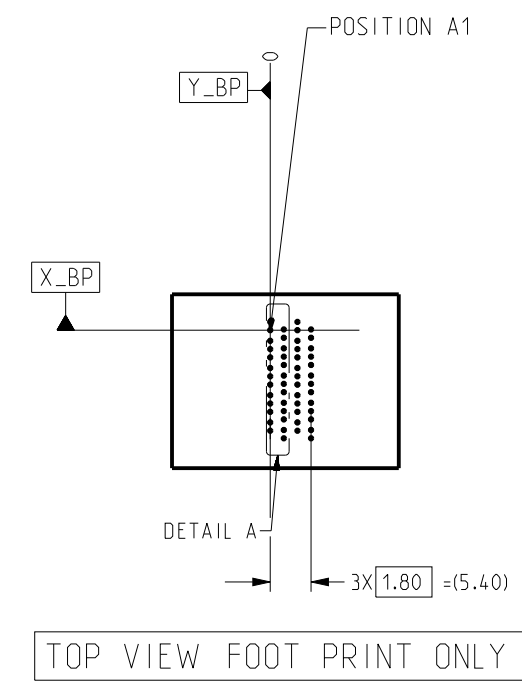
TOLERANCES	DESIGN 10/13/2022 J.LIU	<b>Amphenol TCS</b> A Division of Amphenol Corporation 200 Innovative Way, Nashua, NH 03062 803.879.3000
0.0	±0.25 DRAWN 10/13/2022 AUTO GENERATED	
0.00	±0.13 CHK 10/13/2022 J.LIU	
0.000	± - APVD 11/23/2022 J.LIU	
ANGLES	± 3°	TITLE XCede HD PLUS DAUGHTERCARD ASSEMBLY 4 PAIR CONNECTOR, LEADFREE PART NO. JX419-50140 DRAWING NO. C-JX419-50140 CRED FILES JX419-50140.ASM JX419-50140.DRW
UNLESS OTHERWISE SPECIFIED DIMENSIONS ARE IN MM AND DECIMAL MARKER IS A PERIOD.		REV A
CUSTOMER USE DRAWING		SIZE D SCALE 1/1 SHEET 1 OF 2



REV	ECN	DESCRIPTION	BY	DATE	APPROVED
		SEE SHEET 1			



FOR REFERENCE ONLY; FOR SPECIFIC DETAILS, SEE C-USE DRAWINGS FOR BACKPLANE MODULES IN TABLE 2. BACKPLANE COMPONENTS MUST BE PURCHASED SEPARATELY AND MAY DIFFER FROM EXAMPLE SHOWN



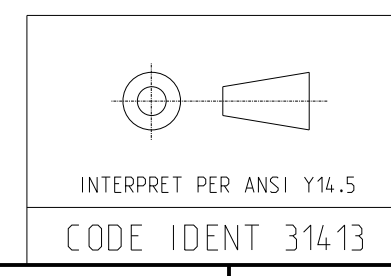
ITEM	PART NUMBER	DESCRIPTION	QTY
1	926-401J-40H	XCede HD PLUS 4PAIR 4POS. OPEN. 3MM WIPE, .0177" DRILL, NANO NI, STD GOLD	1

CUSTOMER: DISTRIBUTOR / XHD PLUS WITH EXTRA GROUND 4PAIR X 4, HSD 850HMS

TOLERANCES	DESIGN	DATE	DESIGNER
0.0	$\pm 0.25$	10/13/2022	J.LIU
0.00	$\pm 0.13$	10/13/2022	AUTO GENERATED
0.000	$\pm -$	10/13/2022	CHK J.LIU
ANGLES	$\pm 3^\circ$	11/23/2022	APVD J.LIU

<b>Amphenol TCS</b> A Division of Amphenol Corporation 200 Innovative Way, Nashua, NH 03062 803.879.3000		TITLE XCede HD PLUS BACKPLANE ASSEMBLY 4 PAIR CONNECTOR, LEADFREE
PART NO.	JX419-50140	REV A
DRAWING NO.	C-JX419-50140	
CRED FILES JX419-50140_BP_ASM JX419-50140_BP.DRW		
SIZE	D	SCALE 1/1 SHEET 2 OF 2



CUSTOMER USE DRAWING