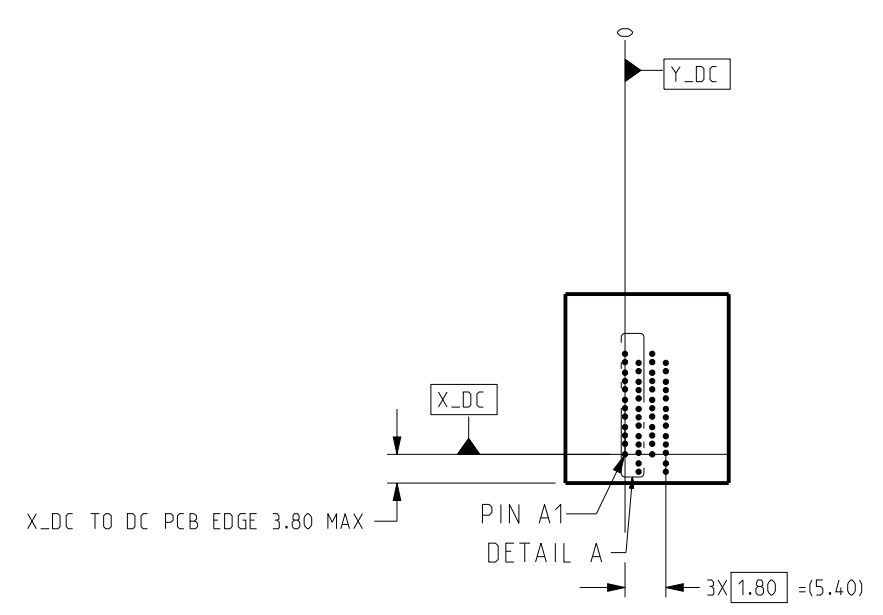
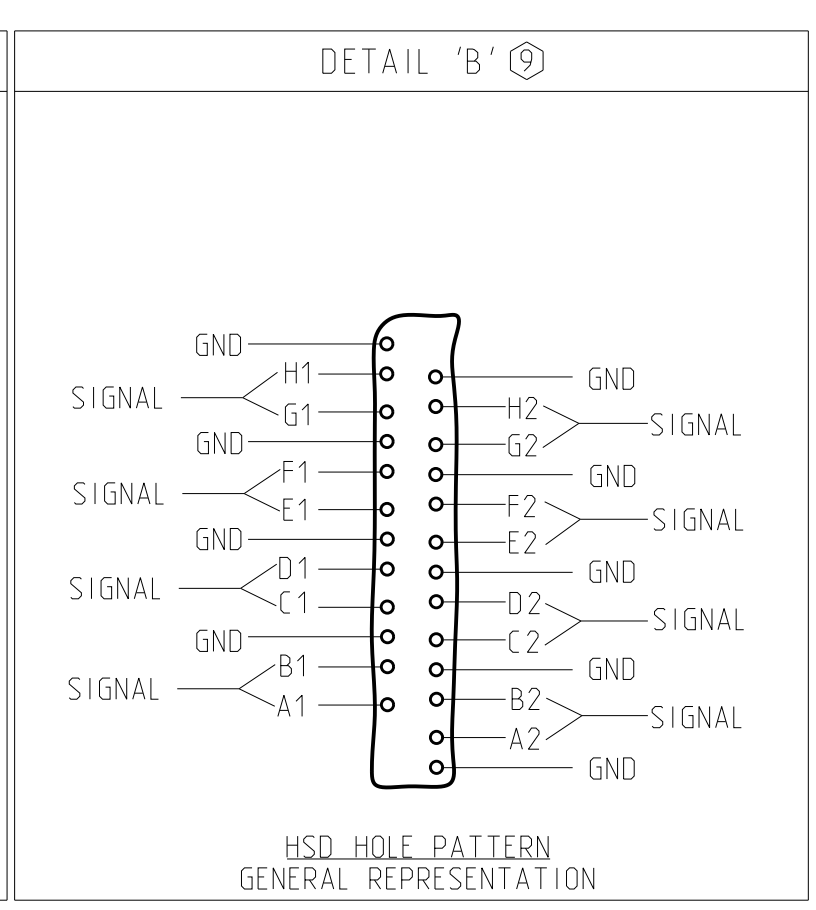
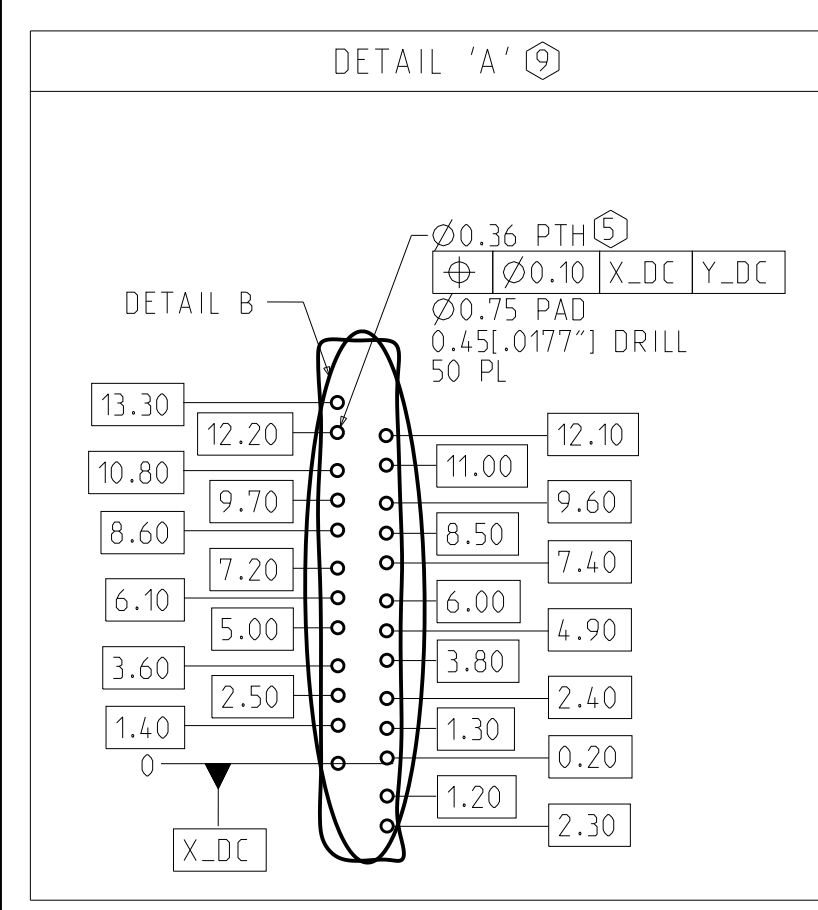
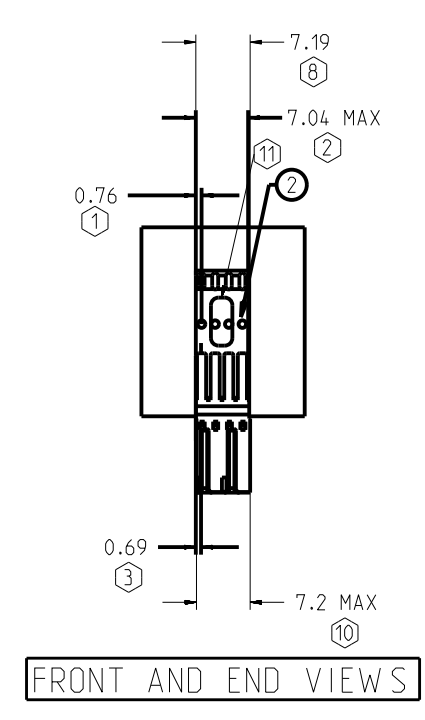


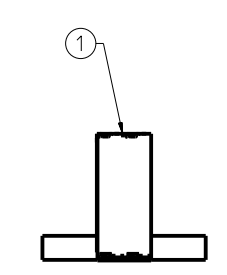
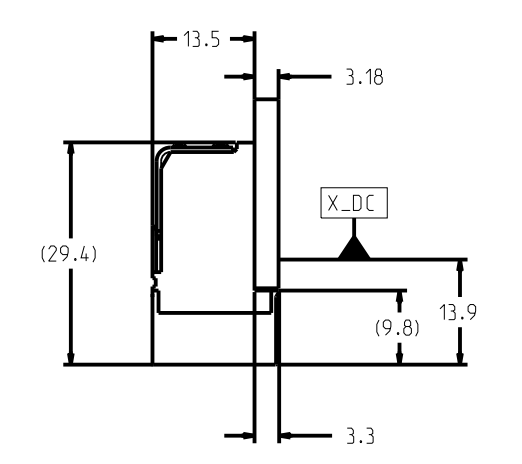
REV	ECN	DESCRIPTION	BY	DATE	APPROVED
A	JLIU-22111516	RELEASE TO PRODUCTION	J.LIU	12/02/2022	J.LIU



FRONT VIEW - DC HOLE PATTERN ONLY . CONNECTOR SIDE REFERENCED FROM LEFT MOST SIGNAL COLUMN ; ALL DIMENSIONS BASIC



FRONT AND END VIEWS



BOTTOM VIEW  
MODULE LOCATIONS FROM LEFT END OF PLASTIC

ITEM	PART NUMBER	DESCRIPTION	QTY
1	922-471A-D3H	XCede HD 4PAIR HSD MOD w/ ORGANIZER, 4POS, 1000HMS, BIFURCATED, .0177" DRILL, NANO NI, STD GOLD	1
2	617-0450-007	XCede HD 4PAIR STIFFENER	1

NOTE: SEE FRONT VIEW FOR STIFFENER LENGTH.

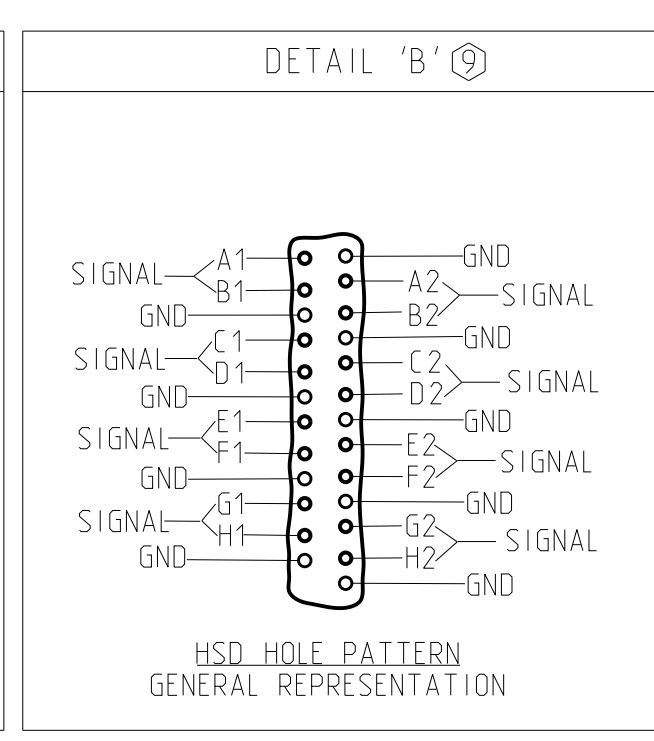
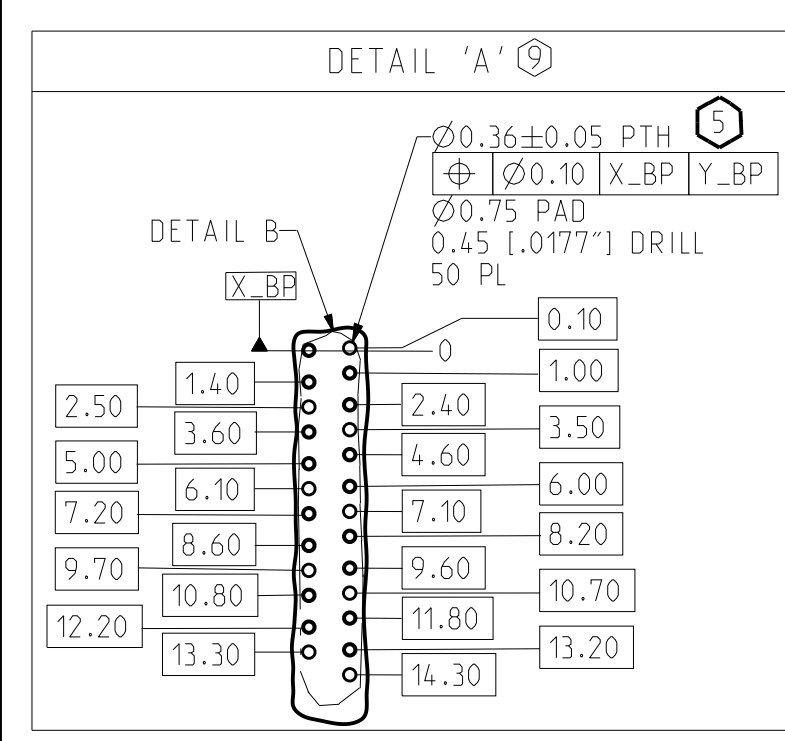
NOTES:

- ① DISTANCE FROM FIRST STIFFENER PILOT HOLE TO LEFT END OF STIFFENER.
- ② TOTAL LENGTH OF STIFFENER.
- ③ DISTANCE FROM CENTERLINE OF 1ST COLUMN OF SIGNAL PLATED THRU HOLES TO LEFT EDGE OF STIFFENER.
- ④ MOUNTING SCREWS AND JOINER MODULES (IF PRESENT) TO BE BAGGED WITH EACH CONNECTOR ASSEMBLY.
- ⑤ STATED PAD SIZE MAY REQUIRE FILLETING. SEE TB-2237 FOR ROUTING, HOLE WALL PLATING THICKNESS AND FINISHED HOLE SIZE.
- ⑥ NA.
- ⑦ REFER TO TB-2235 FOR XCede HD PRODUCT SPECIFICATIONS.
- ⑧ OVERALL CONNECTOR LENGTH.
- ⑨ DETAIL VIEWS ARE NOT TO SCALE. DO NOT SCALE DRAWING.
- ⑩ FRONT HOUSING WIDTH. CONNECTORS CAN BE USED IN STACKABLE APPLICATION.
- ⑪ CONNECTOR IS LASER MARKED WITH MANUFACTURING INFORMATION. REFER TO DRAWING C-527-4133-000 FOR MARKING REQUIREMENTS AND DETAILS.

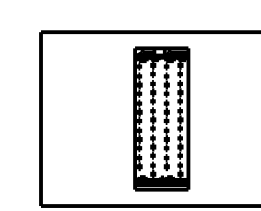
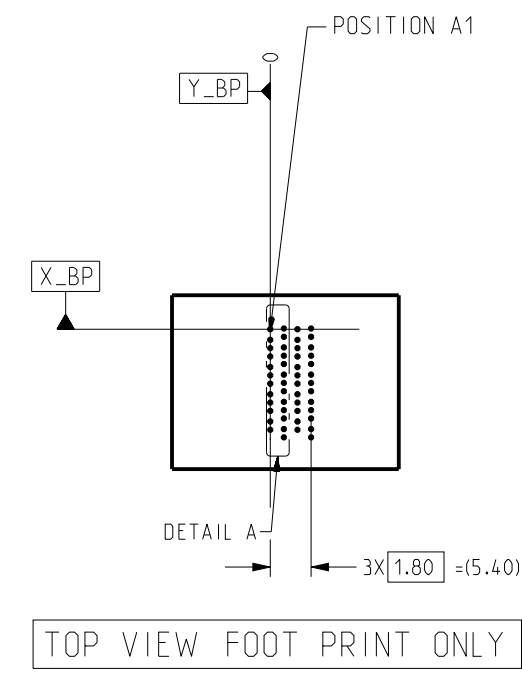
CUSTOMER: DISTRIBUTOR / XHD 4PAIR X 4. HSD 1000HMS

TOLERANCES	DESIGN 10/12/2022 J.LIU	<p><b>Amphenol TCS</b> A Division of Amphenol Corporation 200 Innovative Way, Nashua, NH 03062 603.879.3000</p> <p>TITLE XCede HD DAUGHTERCARD ASSEMBLY 4 PAIR CONNECTOR, LEADFREE</p> <p>PART NO. JX410-51598</p> <p>DRAWING NO. C-JX410-51598</p> <p>CRED FILES JX410-51598.ASM JX410-51598.DRW</p>	REV A
0.0 ±0.25	DRAWN 10/12/2022 AUTO GENERATED		
0.00 ±0.13	CHK 10/12/2022 J.LIU		
0.000 ± -	APVD 12/02/2022 J.LIU		
ANGLES ± 3°			
<p>UNLESS OTHERWISE SPECIFIED DIMENSIONS ARE IN MM AND DECIMAL MARKER IS A PERIOD.</p> <p>INTERPRET PER ANSI Y14.5</p> <p>CODE IDENT 31413</p>		<p>CUSTOMER USE DRAWING</p>	<p>SCALE 1/1</p> <p>SHEET 1 OF 2</p>

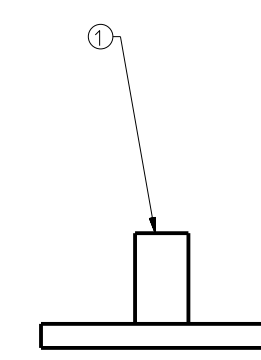
REV	ECN	DESCRIPTION	BY	DATE	APPROVED
		SEE SHEET 1			



FOR REFERENCE ONLY; FOR SPECIFIC DETAILS, SEE C-USE DRAWINGS FOR BACKPLANE MODULES IN TABLE 2  
BACKPLANE COMPONENTS MUST BE PURCHASED SEPARATELY AND MAY DIFFER FROM EXAMPLE SHOWN



TOP VIEW



FRONT VIEW

ITEM	PART NUMBER	DESCRIPTION	QTY
1	923-400J-40H	XCede HD 4PAIR 4POS. OPEN, 3MM W IPE, .0177" DRILL, NANO NI, STD GOLD	1

CUSTOMER: DISTRIBUTOR / XHD 4PAIR X 4, HSD 1000HMS

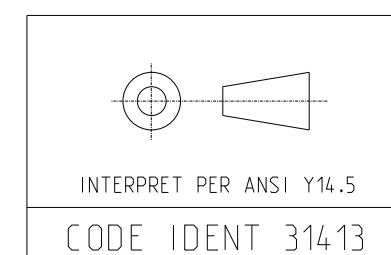
TOLERANCES	DESIGN	DATE	DESIGNER
0.0	±0.25	10/12/2022	J.LIU
0.00	±0.13	10/12/2022	AUTO GENERATED
0.000	± -	10/12/2022	J.LIU
ANGLES	± 3°	12/02/2022	J.LIU

**Amphenol TCS**  
A Division of Amphenol Corporation  
200 Innovative Way, Nashua, NH 03062 803.879.3000

TITLE: XCede HD BACKPLANE ASSEMBLY  
4 PAIR CONNECTOR, LEADFREE

PART NO. JX410-51598  
DRAWING NO. C-JX410-51598

REV A



CUSTOMER USE  
DRAWING

UNLESS OTHERWISE SPECIFIED DIMENSIONS ARE IN MM AND DECIMAL MARKER IS A PERIOD.	REV A
SIZE D	SCALE 1/1
SHEET 2 OF 2	