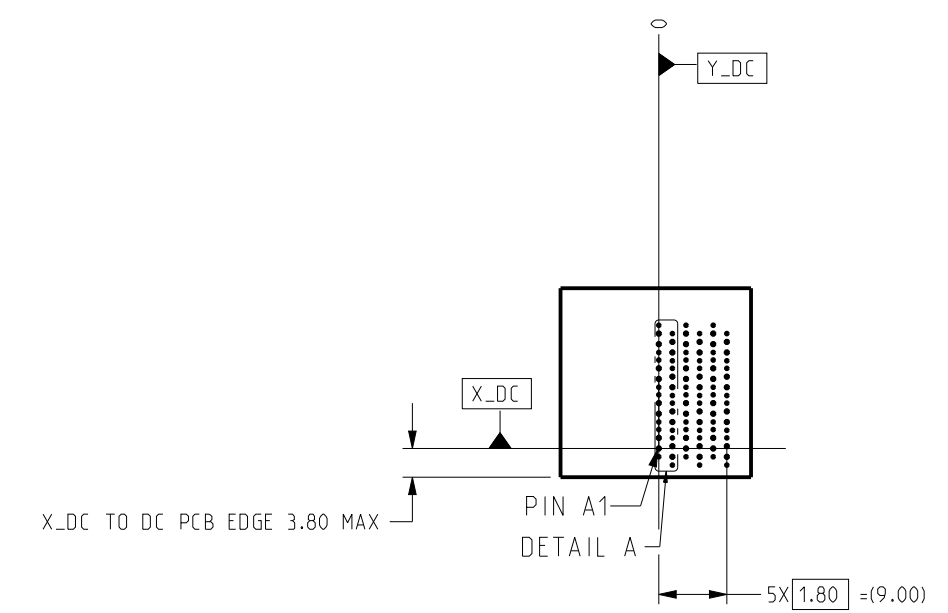
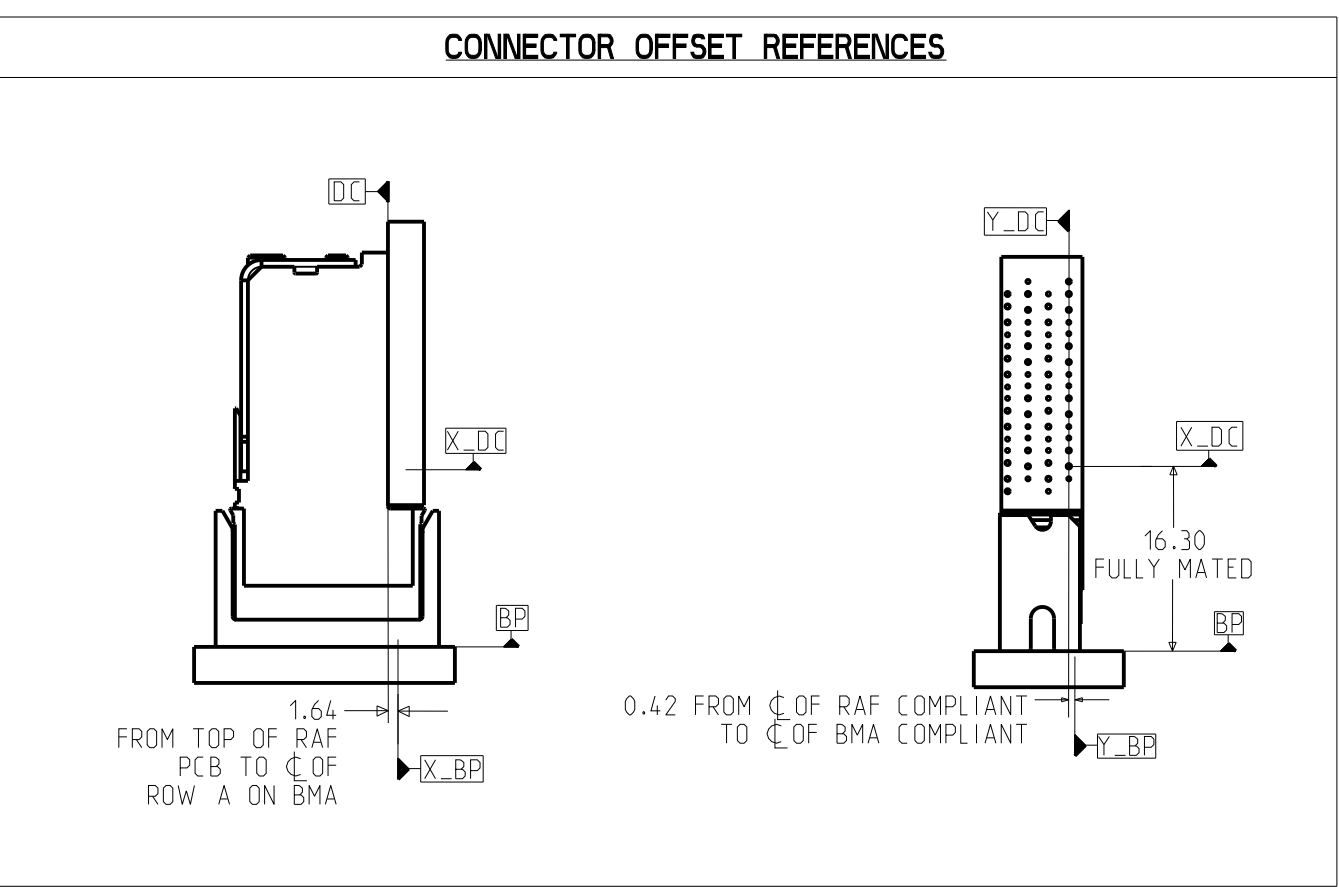
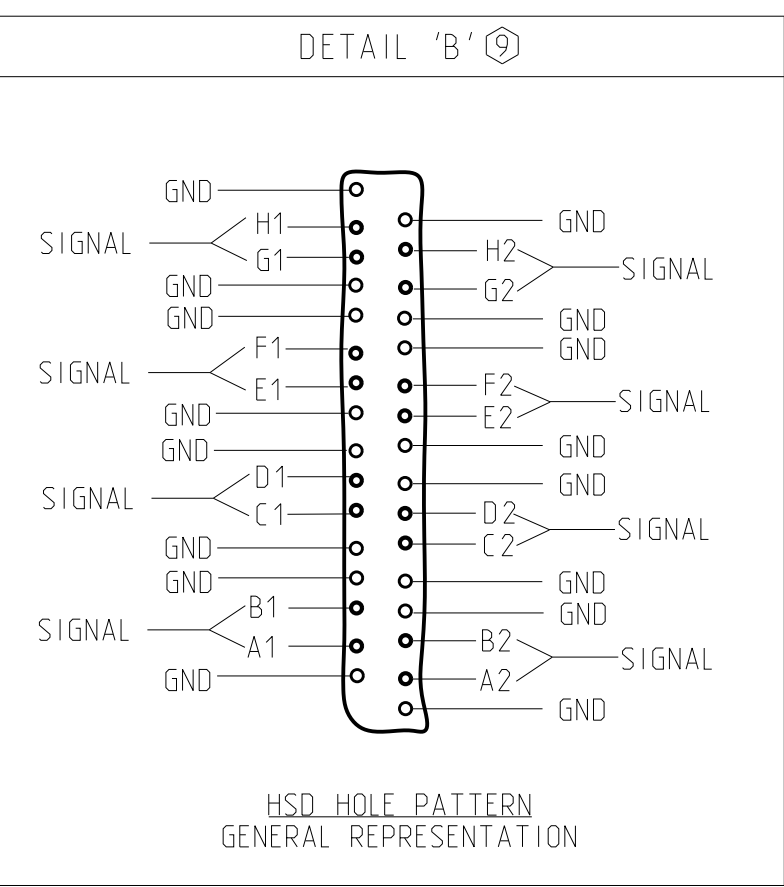
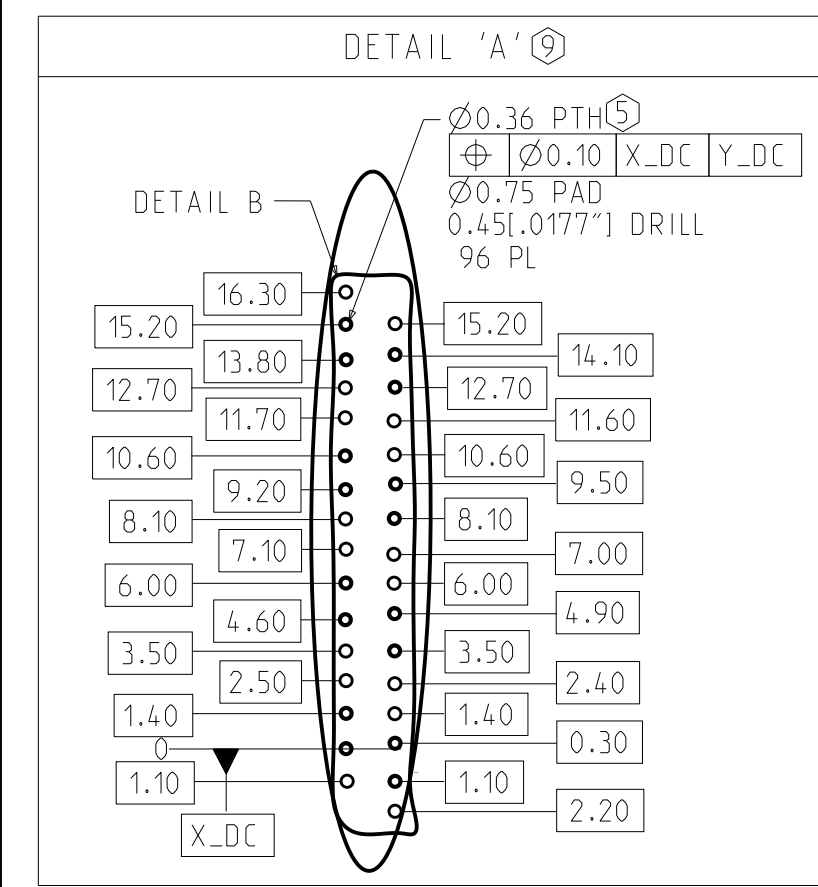
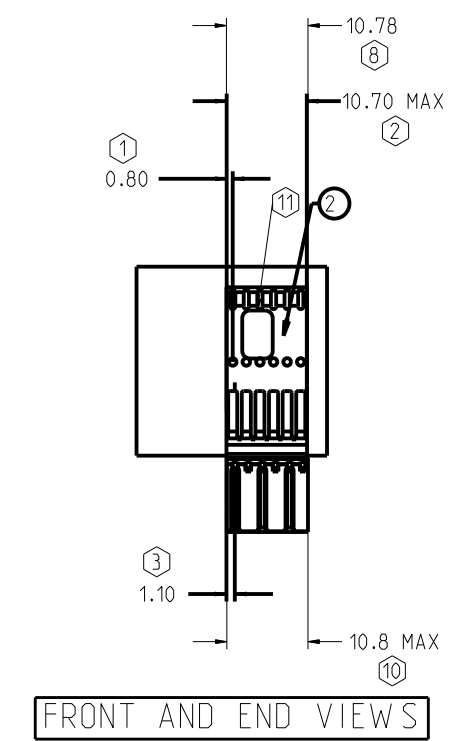


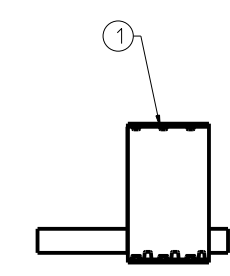
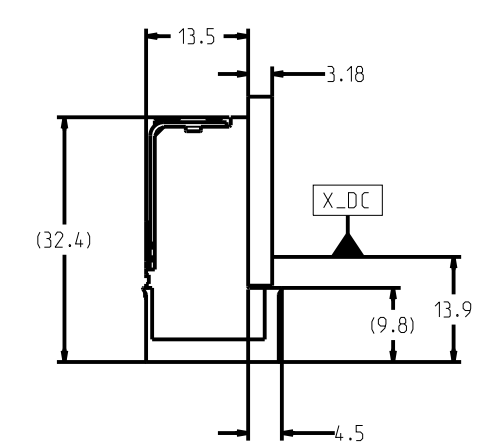
REV	ECN	DESCRIPTION	BY	DATE	APPROVED
A	JLIU-22111610	RELEASE TO PRODUCTION	J.LIU	11/23/2022	J.LIU



FRONT VIEW - DC HOLE PATTERN ONLY, CONNECTOR SIDE REFERENCED FROM LEFT MOST SIGNAL COLUMN, ALL DIMENSIONS BASIC



FRONT AND END VIEWS



BOTTOM VIEW
MODULE LOCATIONS FROM LEFT END OF PLASTIC

TABLE 1: PARTS LIST

ITEM	PART NUMBER	DESCRIPTION	QTY
1	915-420B-BOH	XCede HD PLUS 4PAIR HSD MOD w/ XG, 6POS, 850HMS, .0177" DRILL, NANO NI, STD GOLD	1
2	617-1421-010	XCede HD PLUS 4PAIR STIFFENER	1

NOTE: SEE FRONT VIEW FOR STIFFENER LENGTH.

NOTES:

- DISTANCE FROM FIRST STIFFENER PILOT HOLE TO LEFT END OF STIFFENER.
- TOTAL LENGTH OF STIFFENER.
- DISTANCE FROM CENTERLINE OF 1ST COLUMN OF SIGNAL PLATED THRU HOLES TO LEFT EDGE OF CONNECTOR.
- MOUNTING SCREWS AND JOINER MODULES (IF PRESENT) TO BE BAGGED WITH EACH CONNECTOR ASSEMBLY.
- STATED PAD SIZE MAY REQUIRE FILLETING. SEE TB-2237 FOR ROUTING, HOLE WALL PLATING THICKNESS AND FINISHED HOLE SIZE.
- NA.
- REFER TO TB-2307 FOR XCede HD PLUS PRODUCT SPECIFICATIONS.
- OVERALL CONNECTOR LENGTH.
- DETAIL VIEWS ARE NOT TO SCALE. DO NOT SCALE DRAWING.
- FRONT HOUSING WIDTH. CONNECTORS CAN BE USED IN STACKABLE APPLICATION.
- CONNECTOR IS LASER MARKED WITH MANUFACTURING INFORMATION. REFER TO DRAWING C-527-4133-000 FOR MARKING REQUIREMENTS AND DETAILS.

CUSTOMER: DISTRIBUTOR / XHD PLUS WITH EXTRA GROUND 4PAIR X 6. HSD 850HMS

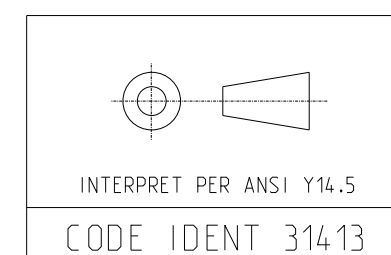
TOLERANCES	DESIGN	DATE	DESIGNER
0.0	±0.25	10/13/2022	J.LIU
0.00	±0.13	10/13/2022	DRAWN AUTO GENERATED
0.000	± -	10/13/2022	CHK J.LIU
ANGLES	± 3°	11/23/2022	APVD J.LIU

Amphenol TCS
A Division of Amphenol Corporation
200 Innovative Way, Nashua, NH 03062 803.879.3000

TITLE: XCede HD PLUS DAUGHTERCARD ASSEMBLY 4 PAIR CONNECTOR, LEADFREE

PART NO. JX419-50141
DRAWING NO. C-JX419-50141

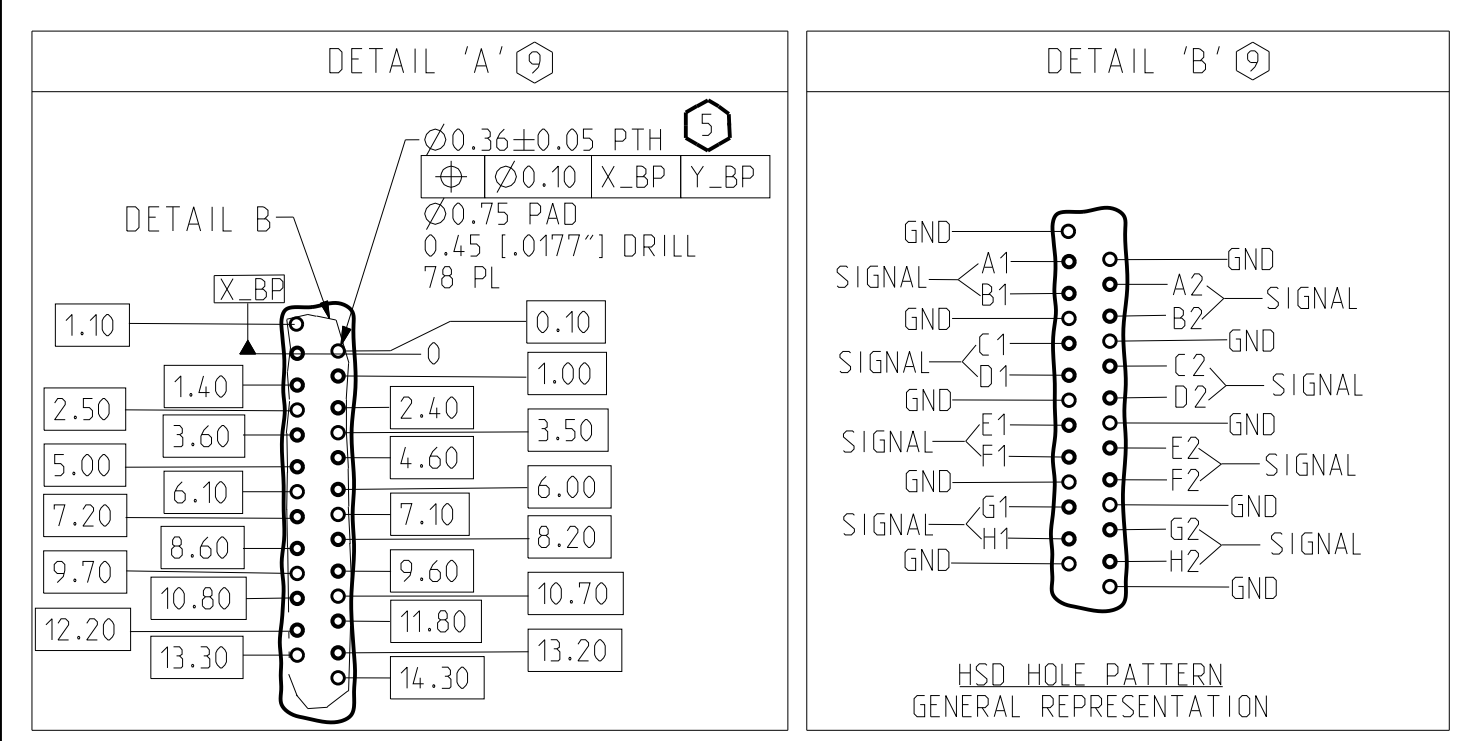
UNLESS OTHERWISE SPECIFIED DIMENSIONS ARE IN MM AND DECIMAL MARKER IS A PERIOD.



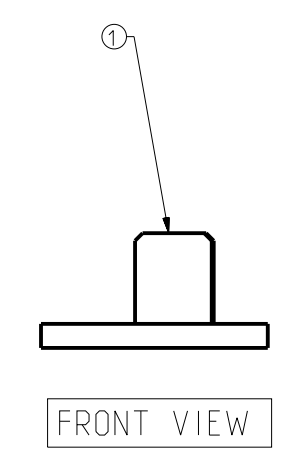
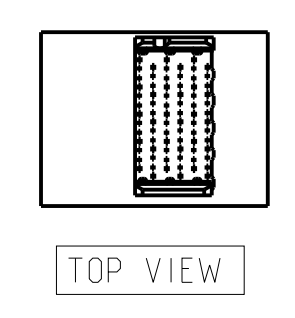
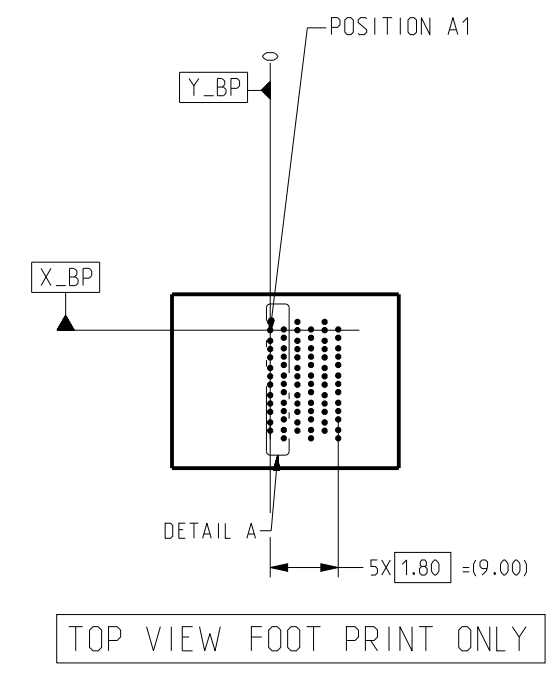
CUSTOMER USE
DRAWING

SIZE	D	SCALE	1/1	SHEET	1 OF 2

REV	ECN	DESCRIPTION	BY	DATE	APPROVED
		SEE SHEET 1			



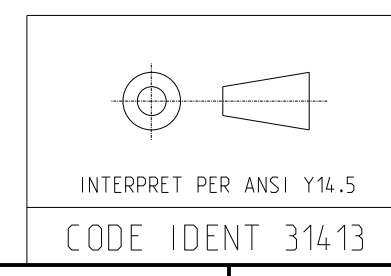
FOR REFERENCE ONLY; FOR SPECIFIC DETAILS, SEE C-USE DRAWINGS FOR BACKPLANE MODULES IN TABLE 2. BACKPLANE COMPONENTS MUST BE PURCHASED SEPARATELY AND MAY DIFFER FROM EXAMPLE SHOWN



ITEM	PART NUMBER	DESCRIPTION	QTY
1	926-401C-40H	XCede HD PLUS 4PAIR 6POS. OPEN. 3MM WIPE, .0177" DRILL, NANO NI, STD GOLD	1

CUSTOMER: DISTRIBUTOR / XHD PLUS WITH EXTRA GROUND 4PAIR X 6. HSD 850HMS

TOLERANCES	DESIGN	J.LIU	Amphenol TCS A Division of Amphenol Corporation 200 Innovative Way, Nashua, NH 03062 803.879.3000 TITLE: XCede HD PLUS BACKPLANE ASSEMBLY 4 PAIR CONNECTOR, LEADFREE PART NO. JX419-50141 DRAWING NO. C-JX419-50141 CRED FILES JX419-50141_BP_ASM JX419-50141_BP.DRW SIZE D SCALE 1/1 SHEET 2 OF 2
0.0	±0.25	DRAWN 10/13/2022	
0.00	±0.13	AUTO GENERATED	
0.000	± -	CHK 10/13/2022	
ANGLES	± 3°	APVD 11/23/2022	



CUSTOMER USE DRAWING

INTERPRET PER ANSI Y14.5
CODE IDENT 31413