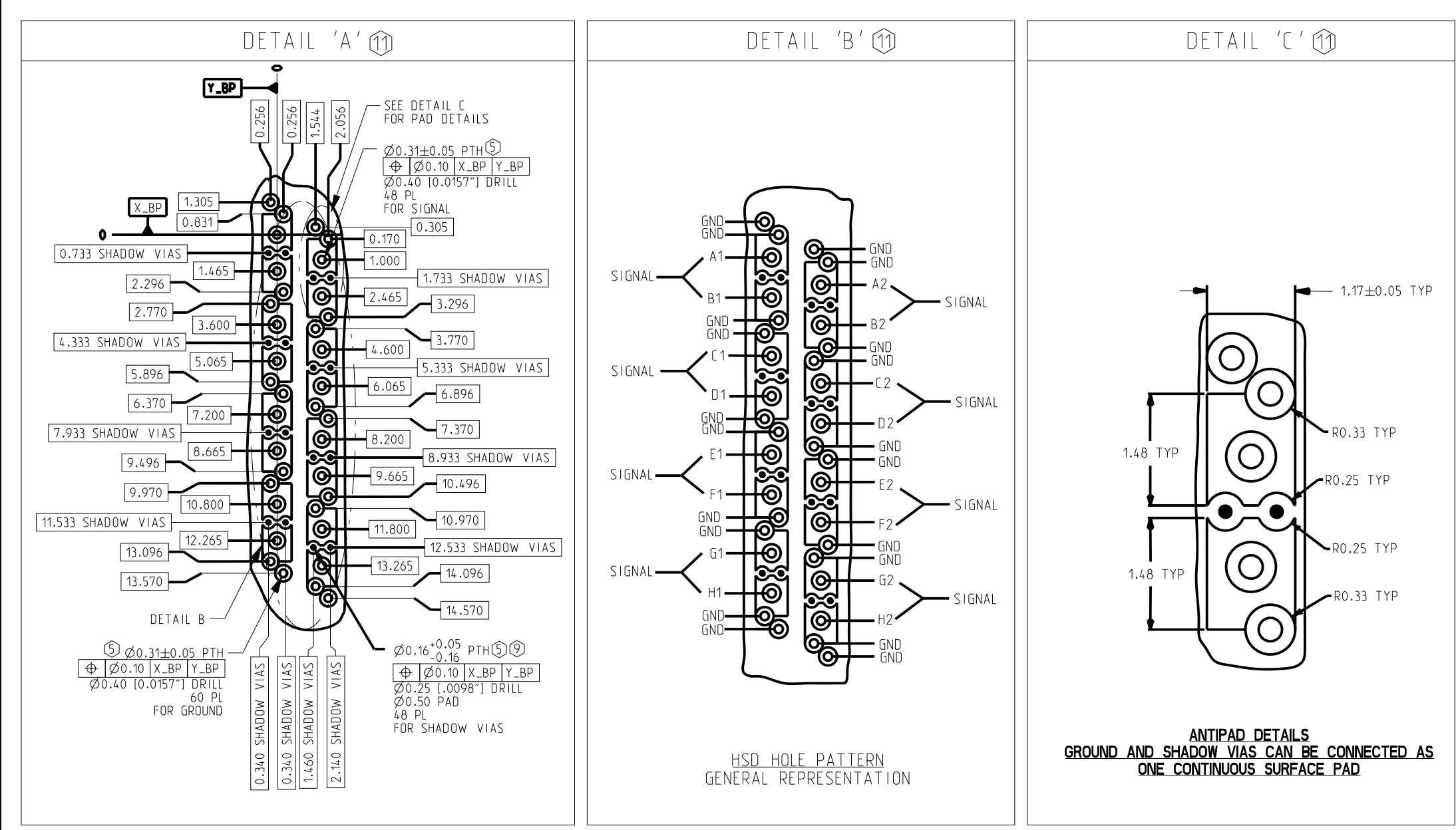
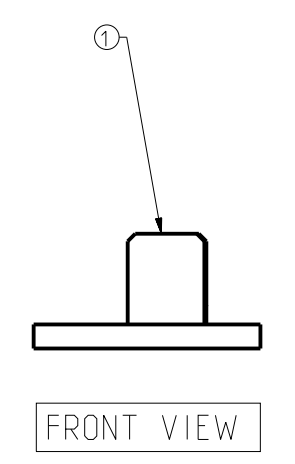
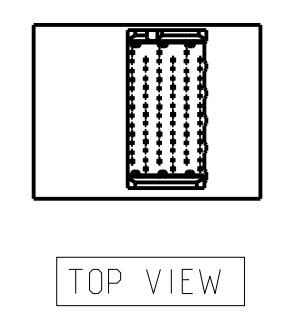
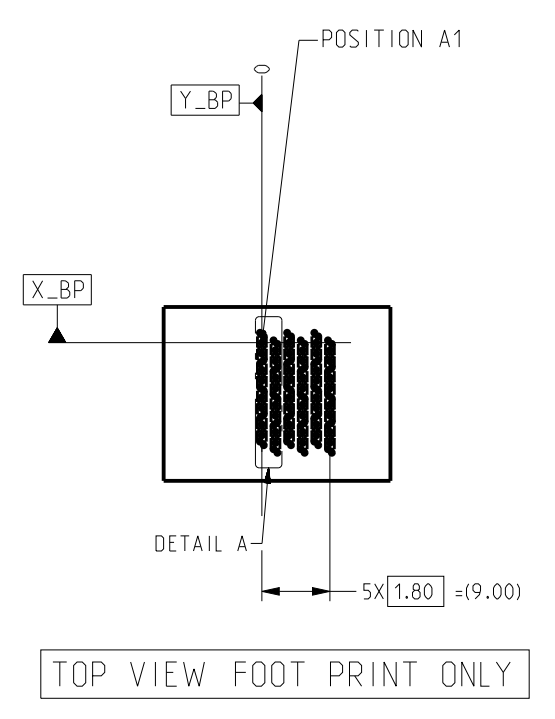




REV	ECN	DESCRIPTION	BY	DATE	APPROVED
		SEE SHEET 1			



FOR REFERENCE ONLY; FOR SPECIFIC DETAILS, SEE C-USE DRAWINGS FOR BACKPLANE MODULES IN TABLE 2  
 BACKPLANE COMPONENTS MUST BE PURCHASED SEPARATELY AND MAY DIFFER FROM EXAMPLE SHOWN



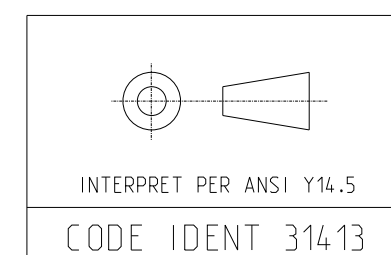
ITEM	PART NUMBER	DESCRIPTION	QTY
1	972-401C-G0H	XCede HD2 4PAIR 6POS. OPEN. W/ XG. 2MM W IPE. .0157" DRILL. NANO NI, STD GOLD	1

CUSTOMER: DISTRIBUTOR / XHD2 WITH EXTRA GROUND 4PAIR X 6. HSD 900HMS

TOLERANCES	DESIGN	DATE	DESIGNER
0.0	±0.25	10/13/2022	J.LIU
0.00	±0.13	10/13/2022	AUTO GENERATED
0.000	±	10/13/2022	J.LIU
ANGLES	± 3°	11/24/2022	J.LIU

Amphenol TCS	
A Division of Amphenol Corporation	
200 Innovative Way, Nashua, NH 03062 803.879.3000	
TITLE	XCede HD2 BACKPLANE ASSEMBLY 4 PAIR CONNECTOR, LEADFREE
PART NO.	JX435-50063
DRAWING NO.	C-JX435-50063
REV	A



CUSTOMER USE DRAWING